

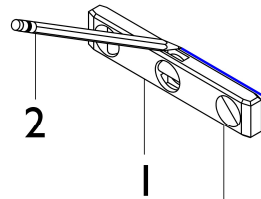
Industrial Handshower Slide Bar Installation Instructions

CALIFORNIA FAUCETS RECOMMENDS THAT ALL PLUMBING PRODUCTS BE INSTALLED BY A LICENSED PROFESSIONAL

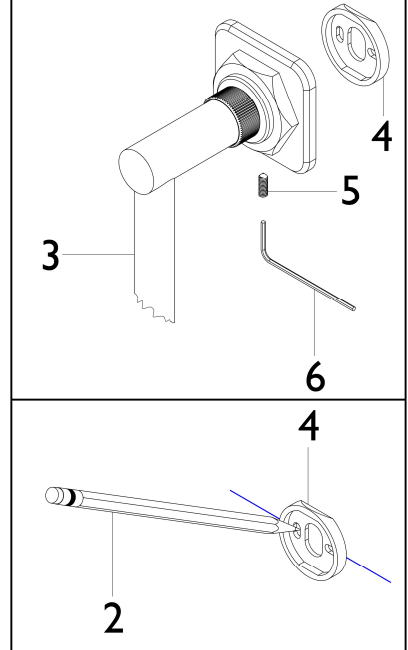
IMPORTANT: Read all instructions prior to installation and provide copy of instructions to consumer.

1 PRIOR TO MOUNTING

- Use LEVEL (1) and PENCIL (2) to mark two horizontal lines $21 \frac{7}{8}$ " top and bottom from each other on finished wall as shown.
- Use KEY (6) and loosen SETSCREW (5) to remove MOUNT (4) from BAR (3)
- Align the two holes from the MOUNT (4) onto the marked horizontal lines.
- Mark the hole locations from the MOUNT and drill the holes using $\frac{3}{16}$ " bit.
- Use LEVEL (1) and repeat for bottom MOUNT location, ensuring MOUNTS are directly vertical from each other.

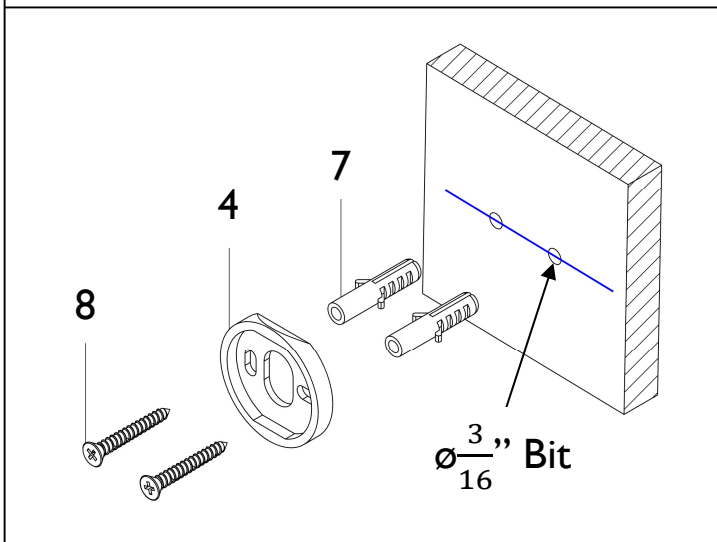


$21 \frac{7}{8}$ "



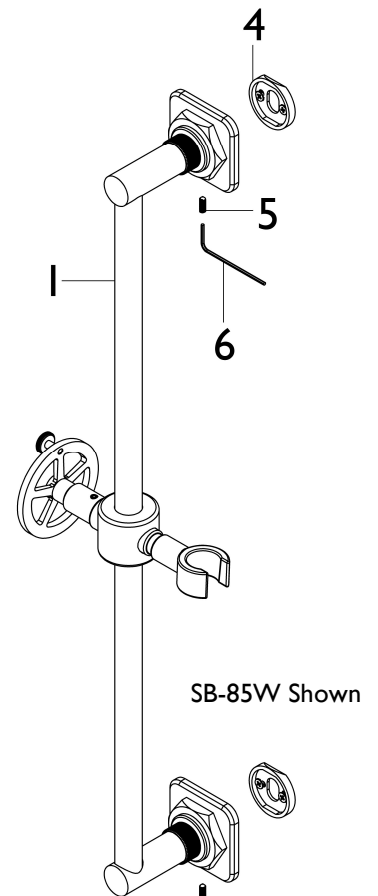
2 MOUNTING TO FINISHED WALL

- Install ANCHOR (7) into drilled holes and place MOUNT (4) on wall
- Secure MOUNT in place with supplied SCREWS (8)



3 ATTACHING BAR TO MOUNT

- Place BAR (1) onto top & bottom MOUNTS (4)
- Secure BAR (1) in place and tighten SETSCREWS (5) using hex KEY (6)



HOLDER OPERATION

Note: If hook does not fully retract, rotate hook a small amount to allow hook to fully seat

- To adjust hook angle, pull hook away from the body
- Rotate hook forward or backward to desired position
- Release hook to lock into position

