



SB-30K, SB-30T, SB-30X, SB-30XK, SB-30XF, SB-37, SB-37T, SB-37X, SB-37XT, SB-38, SB-38T, SB-38X, SB-38XT, SB-39, SB-39H, SB-39K, SB-39P, SB-39PI, SB-39R, SB-39RI, SB-40, SB-40X, SB-45, SB-45X, SB-65, SB-66, SB-74, SB-80, SB-80W, SB-80WR, SB-80WB, SB-85, SB-85B, SB-85W, SB-87P, SB-CI, SB-CIX, SB-CIXS

Handshower Slide Bar Installation Instructions

CALIFORNIA FAUCETS RECOMMENDS THAT ALL PLUMBING PRODUCTS BE INSTALLED BY A LICENSED PROFESSIONAL

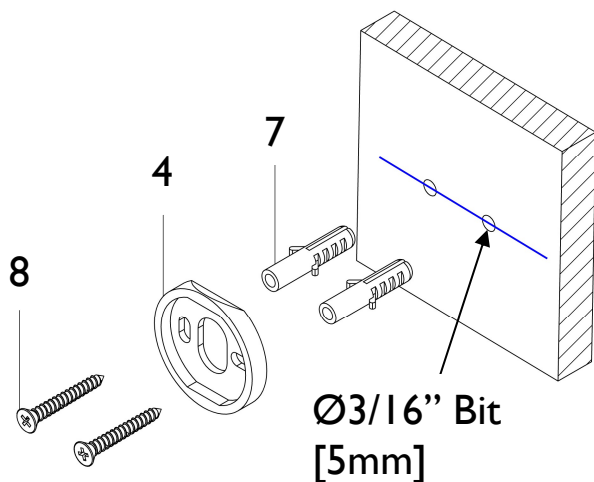
IMPORTANT: Read all instructions prior to installation and provide copy of instructions to consumer.

1 PRIOR TO MOUNTING

- Use LEVEL (1) and PENCIL (2) to mark two horizontal lines 21-7/8" [556mm] top and bottom from each other on finished wall as shown.
- Use KEY (6) and loosen SETSCREW (5) to remove MOUNT (4) from BAR (3)
- Align the two holes from the MOUNT (4) onto the marked horizontal lines.
- Mark the hole locations from the MOUNT and drill the holes using 3/16" [5mm] bit.
- Use LEVEL (1) and repeat for bottom MOUNT location, ensuring MOUNTS are directly vertical from each other.

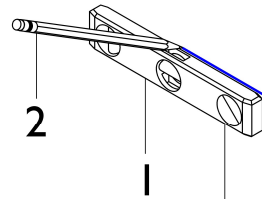
2 MOUNTING TO FINISHED WALL

- Install ANCHOR (7) into drilled holes and place MOUNT (4) on wall
- Secure MOUNT in place with supplied SCREWS (8)

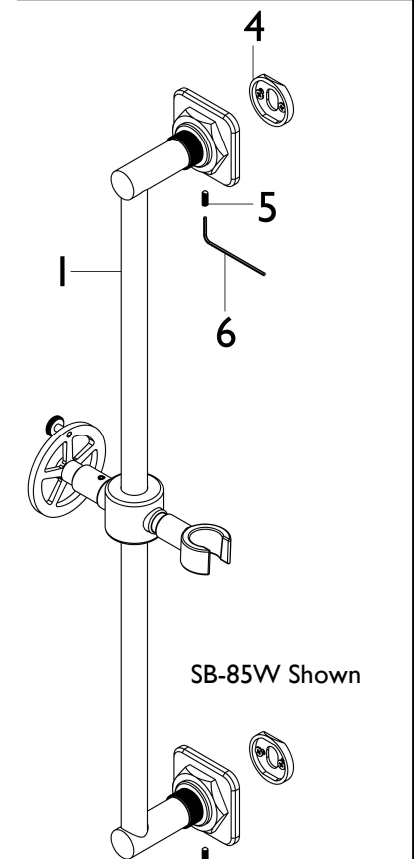
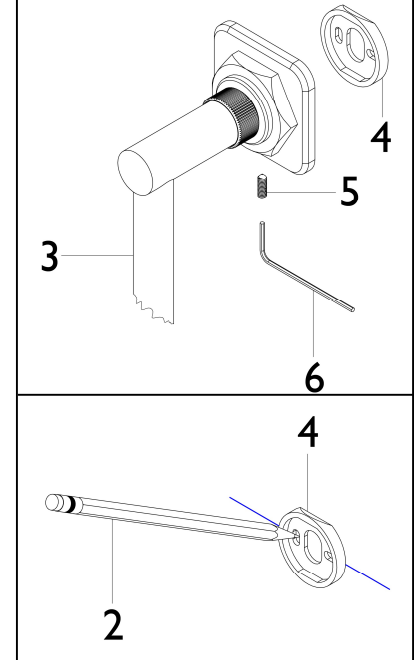


3 ATTACHING BAR TO MOUNT

- Place BAR (1) onto top & bottom MOUNTS (4)
- Secure BAR (1) in place and tighten SETSCREWS (5) using hex KEY (6)



21-7/8"
[556mm]



4

HOLDER OPERATION

Note: If hook does not fully retract, rotate hook a small amount to allow hook to fully seat

- To adjust hook angle, pull hook away from the body
- Rotate hook forward or backward to desired position
- Release hook to lock into position

