

SB-72 & SB-C2 Handshower Slide Bar Installation Instructions

CALIFORNIA FAUCETS RECOMMENDS THAT ALL PLUMBING PRODUCTS BE INSTALLED BY A LICENSED PROFESSIONAL

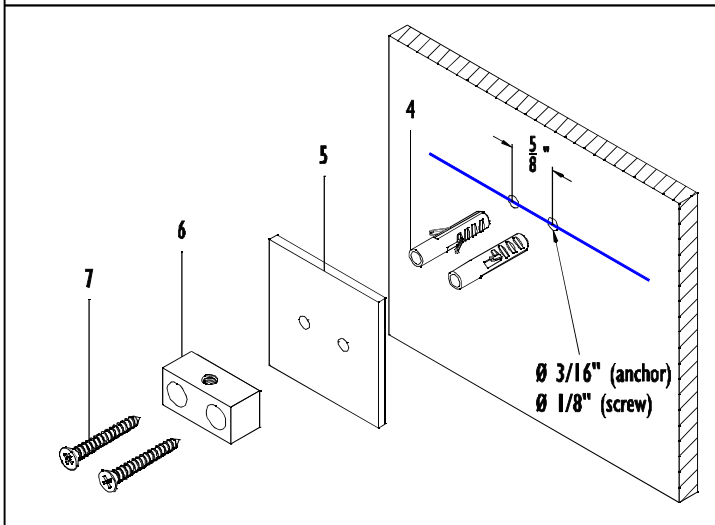
IMPORTANT: Read all instructions prior to installation and provide copy of instructions to consumer.

1 PRIOR TO MOUNTING

- Place BAR (1) on finished wall in desired location and using LEVEL (2) and PENCIL (3) mark on finished wall line along top edge of each leg support.

2 MOUNTING TO FINISHED WALL

- Drill holes level on finished wall; the spacing between drilled holes shall be 5/8" and install ANCHOR (4)
- Place FLANGE (5) and MOUNT (6) on wall and secure in place with SCREWS (7)
- Repeat on lower mount at a distance of 26-9/16" ** from top

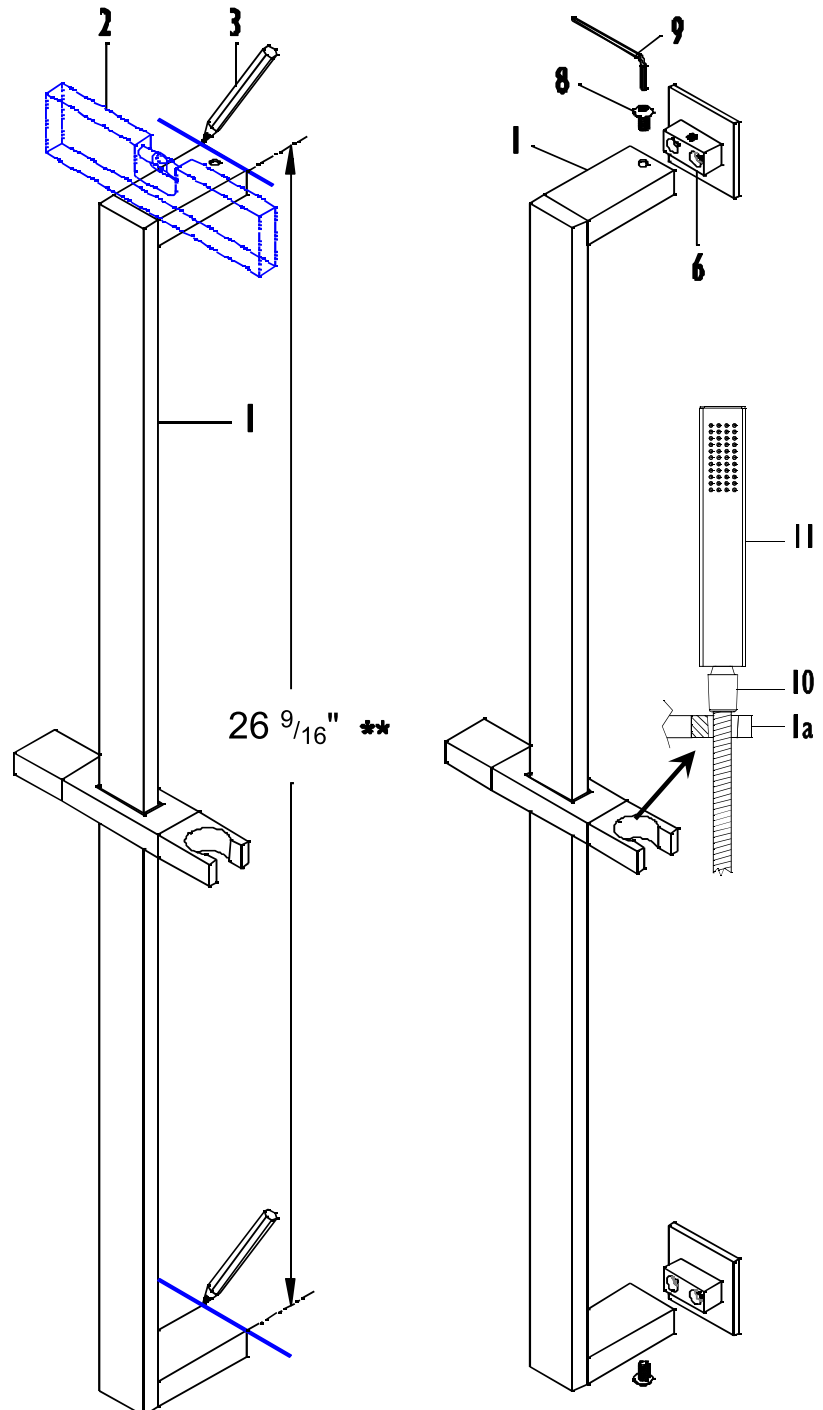


3 ATTACHING BAR TO MOUNT

- Slide BAR (1) onto top & bottom MOUNTS (6)
- Secure BAR (1) in place with SCREW (8) and tighten using hex KEY (9)

4 HANDSHOWER TO SLIDE HOLDER

- Attach CONICAL NUT (10) to HANDSHOWER (11)
- Slide HOLDER (1a) must be orientated so that internal taper of HOLDER (1a) is in the up position to ensure proper fit of CONICAL NUT (10)



**** Always verify dimension due to manufacturing variations**

