

①

# NEWPORT BRASS

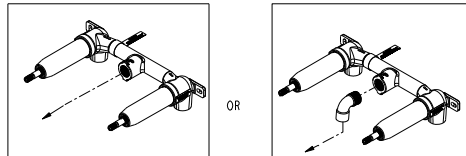
INSTALLATION INSTRUCTIONS  
INSTRUCCIONES DE INSTALACIÓN

VALVE  
VALVULA

IN-WALL ROUGH  
MONTAJE EN CUBIERTA

IN-LINE OUTLET  
SALIDA EN LÍNEA

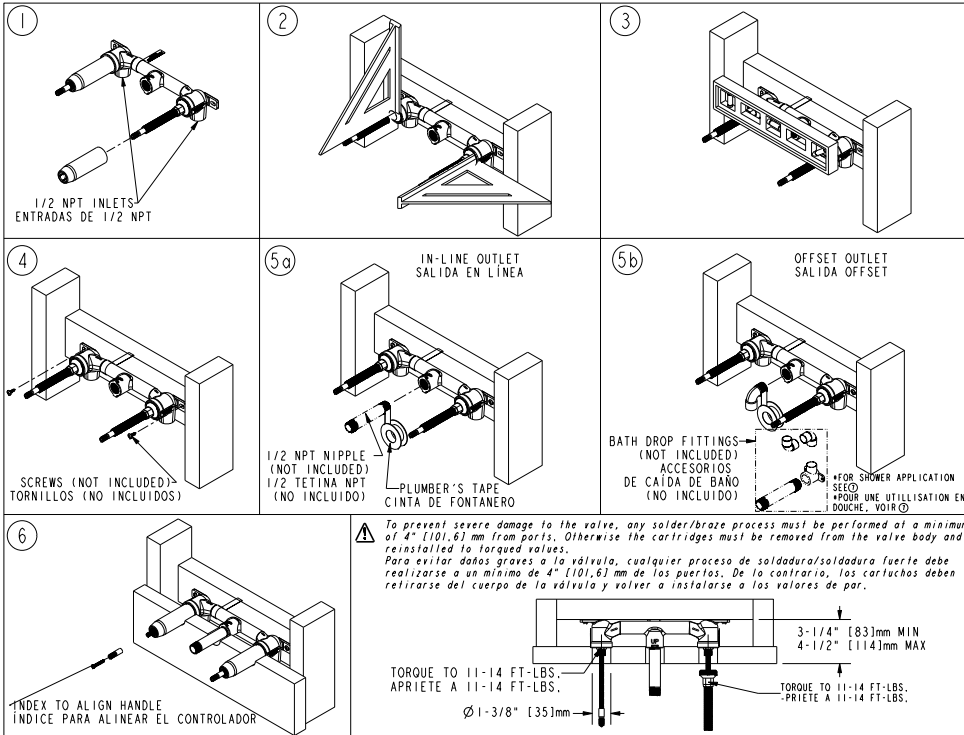
OFFSET OUTLET  
SALIDA OFFSET



REPRESENTATIVE IMAGE SHOWN IDENTIFY YOUR PRODUCT  
IMAGEN REPRESENTATIVA MOSTRADA IDENTIFIQUE SU PRODUCTO

RECOMMEND INSTALLATION BY A PROFESSIONAL PLUMBING CONTRACTOR  
RECOMIENDE LA INSTALACIÓN A UN CONTRATISTA DE PLOMERÍA PROFESIONAL

NOTE: THE USE OF PETROLEUM BASE PLUMBERS PUTTY ON OUR PRODUCTS WILL NULLIFY THE WARRANTY.  
WE RECOMMEND THE USE OF CLEAR SILICONE SEALING MATERIALS.  
NOTA: EL USO DE MASILLA DE PLOMERÍA A BASE DE PETRÓLEO EN NUESTROS PRODUCTOS ANULARÁ LA GARANTÍA.  
RECOMENDAMOS EL USO DE MATERIALES DE SELLADO DE SILICONA TRANSPARENTE.



①

## ⑦ Disclaimer Regarding Newport Brass In-wall Valve

To conform to local codes and ordinances, all Newport Brass In-wall Valve products used in the shower application should be used in concert with an ASSE 1070 approved tempering valve to reduce the hot water supply to a safe temperature not exceeding 110°F (43°C).

Important: Water temperatures in excess 110°F (43°C) are dangerous and may cause scalding, severe injury or death!

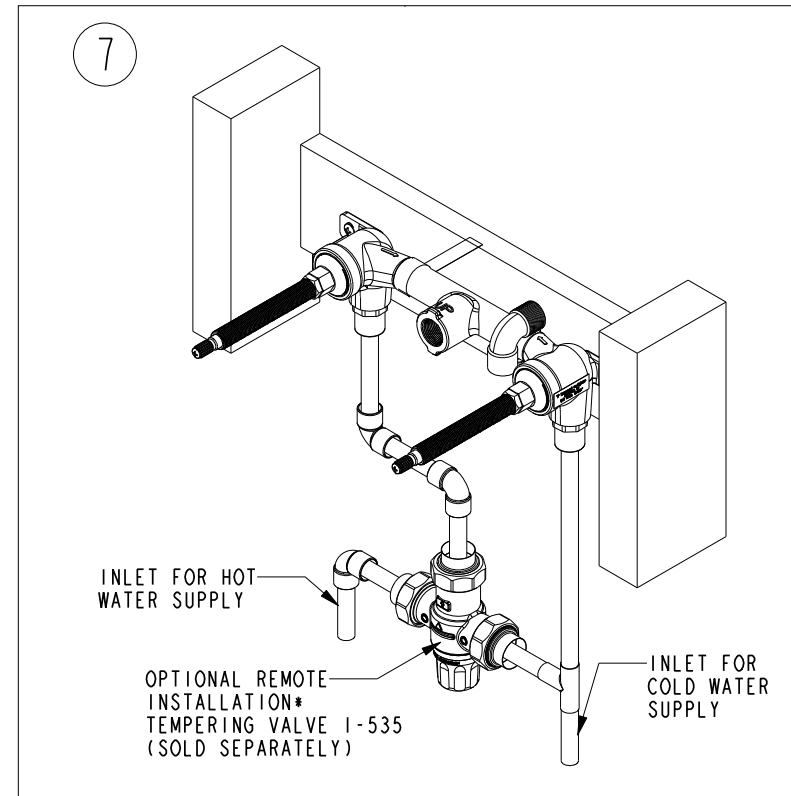
Tempering valve should be installed and adjusted by a licensed contractor per the valve manufacturer installation instruction, and in accordance with local codes and ordinances. In general, key characteristics to ensure a tempering valve to work best with Newport Brass In-wall Valve products shall be as follows:

- Tempering valve should be used prior to the In-wall Valve rough-in to reduce the hot water supply to a safe temperature.
- To ensure sufficient water flow through the tub spout, tempering valve should be capable to handle a flow rate of 6 GPM or more.
- Tempering valve should include inlet filter washer and check valves in both the hot and cold water inlets to protect against cross flow.

Pressure - Temperature - Flow Rate

Minimum Operating Pressure: 20 psi [140KPa]  
Maximum Operating Pressure: 125 psi [860 KPa]  
Maximum Test Pressure: 500 psi [3450 KPa]  
Maximum Hot Water Temperature: 180 °F / 80 °C

\*Note: Valve should be installed in a location where it is accessible for cleaning or service. Due to the effects of various water conditions, periodic verification of outlet water temperature is required.



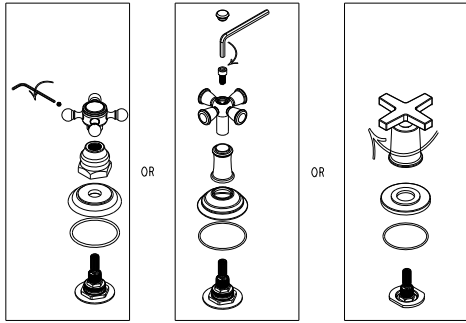
2

# NEWPORT BRASS

INSTALLATION INSTRUCTIONS  
INSTRUCCIONES DE INSTALACIÓN

HANDLES  
MANIJAS

SIDE SCREW TORNILLO LATERAL    TOP SCREW TORNILLO SUPERIOR    NO SCREW SIN TORNILLO



REPRESENTATIVE IMAGE SHOWN IDENTIFY YOUR PRODUCT  
IMAGEN REPRESENTATIVA MOSTRADA IDENTIFIQUE SU PRODUCTO

RECOMMEND INSTALLATION BY A PROFESSIONAL PLUMBING CONTRACTOR  
RECOMIENDE LA INSTALACIÓN A UN CONTRATISTA DE PLOMERÍA PROFESIONAL

NOTE: THE USE OF PETROLEUM BASE PLUMBERS PUTTY ON OUR PRODUCTS WILL NULLIFY THE WARRANTY.  
WE RECOMMEND THE USE OF CLEAR SILICONE SEALING MATERIALS.  
NOTA: EL USO DE MASILLA DE PLOMERÍA A BASE DE PETRÓLEO EN NUESTROS PRODUCTOS ANULARÁ LA GARANTÍA.  
RECOMENDAMOS EL USO DE MATERIALES DE SELLADO DE SILICONA TRANSPARENTE.

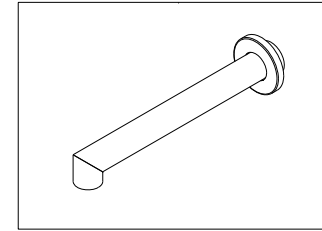
3

# NEWPORT BRASS

INSTALLATION INSTRUCTIONS  
INSTRUCCIONES DE INSTALACIÓN

SPOUT / SHOWER ARM  
CAÑO / BRAZO DE DUCHA

WALL MOUNT  
MONTAJE EN PARED



REPRESENTATIVE IMAGE SHOWN  
IMAGEN REPRESENTATIVA MOSTRADA

RECOMMEND INSTALLATION BY A PROFESSIONAL PLUMBING CONTRACTOR  
RECOMIENDE LA INSTALACIÓN A UN CONTRATISTA DE PLOMERÍA PROFESIONAL

NOTE: THE USE OF PETROLEUM BASE PLUMBERS PUTTY ON OUR PRODUCTS WILL NULLIFY THE WARRANTY.  
WE RECOMMEND THE USE OF CLEAR SILICONE SEALING MATERIALS.  
NOTA: EL USO DE MASILLA DE PLOMERÍA A BASE DE PETRÓLEO EN NUESTROS PRODUCTOS ANULARÁ LA GARANTÍA.  
RECOMENDAMOS EL USO DE MATERIALES DE SELLADO DE SILICONA TRANSPARENTE.

**DECK MOUNT**  
MONTAJE EN CUBIERTA

SEE DECK LAV VALVE INSTALL  
VER INSTALACIÓN DE LA VÁLVULA DE LAVADO DE CUBIERTA

SIDE SCREW AND TOP SCREW HANDLE  
TORNILLO LATERAL Y MANGO DE TORNILLO SUPERIOR

• ADJUSTABLE HEIGHT  
ALTURA AJUSTABLE

NO SCREW HANDLE  
SIN MANGO DE TORNILLO

FIXED HEIGHT  
ALTURA FIJA

SEE DIM A  
VER DIM A

SEE WALL MOUNT VALVE INSTALL  
CONSULTE LA INSTALACIÓN DE LA VÁLVULA DE MONTAJE EN PARED

ADJUST TO ALIGN HANDLE  
AJUSTAR PARA ALINEAR  
EL CONTROLADOR

STEM  
TALLO

CUT STEM TO DIM A (-.62")  
CORTE EL TALLO PARA  
ATENUAR (-.62")

CUT THREADED PIPE TO DIM B  
CORTAR TUBO ROSCADO A DIM B

**SHOWER PLATE MOUNT**  
SOPORTE PARA PLATO DE DUCHA

SEE BALANCED PRESSURE VALVE INSTALL  
CONSULTE LA INSTALACIÓN DE LA VÁLVULA DE PRESIÓN EQUILIBRADA

CUT STEM TO DIM A  
CORTAR PARA ATENUAR UN

CUT THREADED PIPE TO DIM B  
CORTAR TUBO ROSCADO A DIM B

COLLECTION NAME	DIMENSION		COLLECTION NAME	DIMENSION	
	A	B		A	B
* ALEXANDRIA	2.37	1.75			
* ALVESTON	2.20	1.62			
* AMISA	2.37	1.80			
* ASTOR	2.20	1.60			
* AYLESBURY	2.00	1.37			
* BEVELLE	2.20	1.70			
* CHESTERFIELD	2.20	1.60			
CLEMENS	1.50	0.75			
DORRANCE	1.37	0.75			
* EAST LINEAR	2.00	1.37			
* EAST SQUARE	2.00	1.37			
* FAIRFIELD	2.20	1.60			
GRIFFEY	1.45	0.62			
ITHACA	1.50	0.50			
* JACOBEEAN	2.00	1.37			
JOFFREY	1.42	0.50			
KEATON	1.25	0.50			
KIRST	1.25	0.50			
MALVINA	1.42	0.68			
METRO	1.37	0.50			
* METROPOLE	2.00	1.50			
* MIRO	2.25	1.62			
MUNCY	1.37	0.62			
PARDEES	1.37	0.62			
PAVANI	1.25	0.50			
PRIYA	1.25	0.50			
* SEAPORT	2.50	1.87			
SECANT	1.37	0.75			
SKYLAR	1.37	0.75			
* SLATER	2.00	1.37			
* SUTTON	2.00	1.25			
TAFT	1.37	0.75			
TOLMIN	1.37	0.62			
VANDER	1.50	0.62			
* VICTORIA	1.87	1.15			

\*SEE CARTON LABEL FOR COLLECTION NAME

1

FINISHED WALL  
PARED TERMINADA

MEASURE GAP  
MEDIR LA BRECHA

TEMPORARILY INSTALL A 6" LONG 1/2" NPT NIPPLE  
INSTALE TEMPORALMENTE UNA TETINA NPT DE 6" DE LARGO Y 1/2"

Ø 1.38  
[34.91]

2

USE PLUMBER'S TAPE  
USE CINTA DE PLOMERO

FINAL 1/2" NPT LENGTH = 6" - GAP  
LONGITUD FINAL DE 1/2" NPT = 6" - ESPACIO