



California Faucets®

5208, 5308, E308, & E308Q

Roman Tub Installation Instructions

CALIFORNIA FAUCETS RECOMMENDS THAT ALL PLUMBING PRODUCTS BE INSTALLED BY A LICENSED PROFESSIONAL

IMPORTANT: Read all instructions prior to installation and provide copy of instructions to consumer.

Operating Specifications:

Recommended Supply Pressure: 20 to 70 psi [1.4 to 4.8 bar] ††

* Operating pressures between hot and cold supplies should vary no more than 30 psi [2.1 bar].

† If water pressure exceeds 70 psi [4.8 bar], install a Pressure-Reducing Valve (PRV).

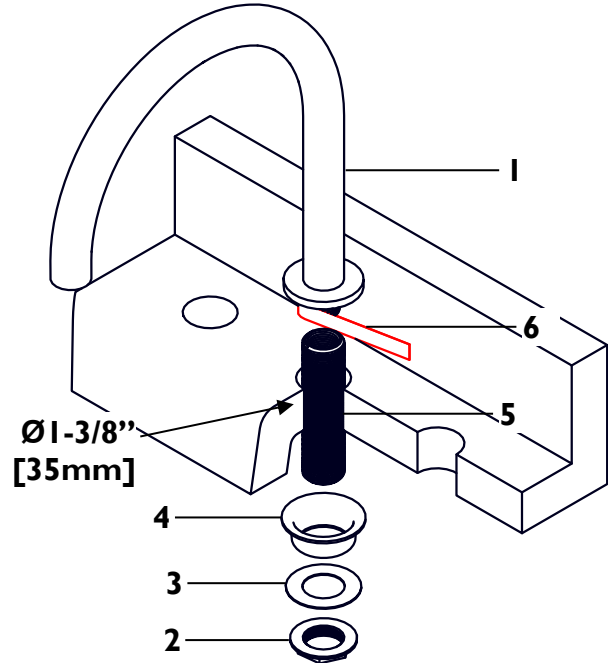
1

INSTALLING SPOUT

- Remove BRASS NUT (2), WASHER (3), CUP SPACER (4), and SHANK (5) from SPOUT (1)
- Apply Teflon® tape (6) to threaded portion of SPOUT (1)
- Insert spout SHANK (5) through hole in deck

NOTE: Sink / Deck recommended hole size is $\varnothing 1\text{-}3/8''$ [35mm]

- Place CUP SPACER (4), WASHER (3), and BRASS NUT (2) onto spout SHANK (5) from below and secure to tub/deck



2

INSTALLING VALVES

- From underneath insert VALVE (7) through appropriate tub/deck hole

IMPORTANT: VALVES (7) are labeled as follows:

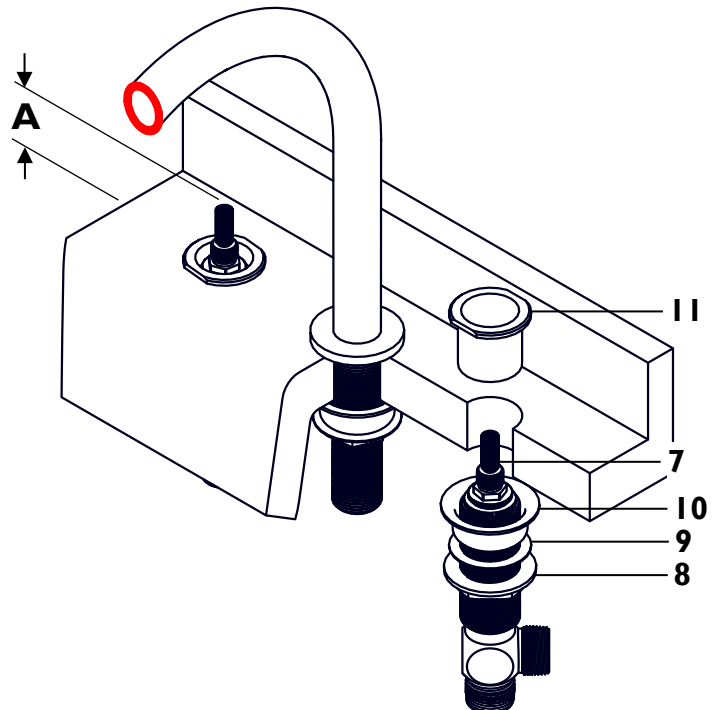
BLUE is **COLD** left turning (counterclockwise) closed

RED is **HOT** right-turning (clockwise) closed

- Position flange NUT (8), WASHER (9), and CUP SPACER (10) (if necessary) so that VALVE (7) extends above tub/deck surface according to table

Series	A (in & [mm])
52	1-3/4" [44]
53	1-3/4" [44]
E3	1-1/8" [29]

- Secure VALVE (7) with INVERTED NUT (11)



3 INSTALLING HANDLES

For 5208, 5308

- Attach RING (13) onto HANDLE (12)

NOTE: Check that handle ESCUTCHEON (12b) and RING (13) spin independently of handle TOP (12a)

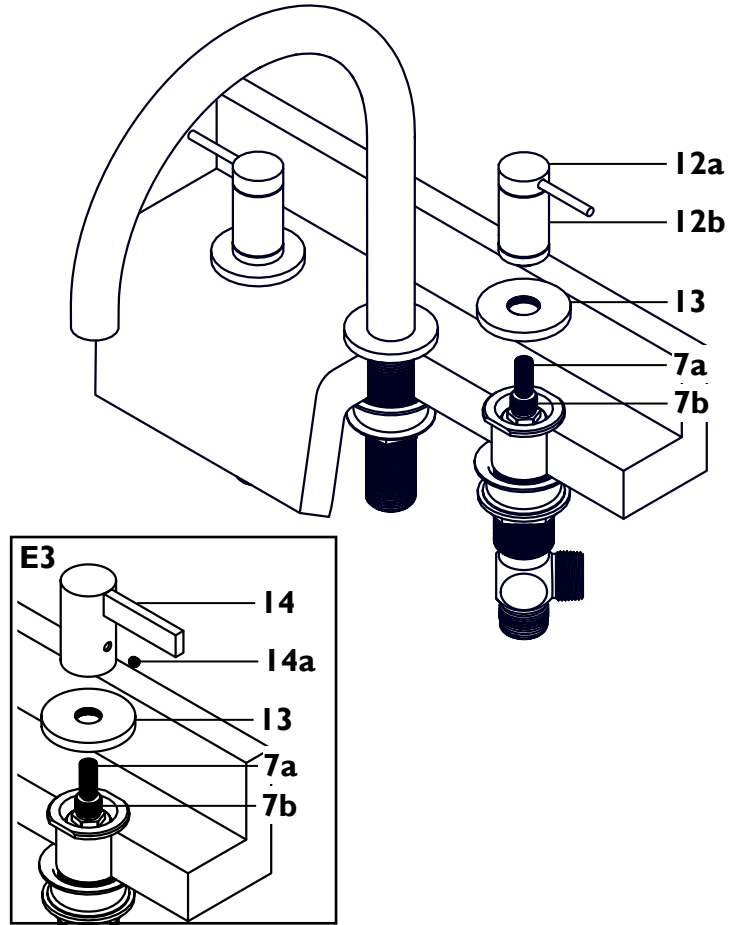
- Slide HANDLE (12) down onto and engage valve STEM (7a)
- Secure HANDLE (12) to deck by tightening handle ESCUTCHEON (12b) onto valve THREADS (7b)

NOTE: To obtain proper alignment it may be necessary to rotate VALVE (7) so that HANDLE (12) is aligned to desired orientation

For E308, E308Q

- Secure RING (13) to valve THREADS (7b)
- Loosen SETSCREW (14a) from HANDLE (14)
- Slide HANDLE (14) down onto and engage valve stem (7a)
- Allow a minimum gap (1/32" [0.8mm]) between HANDLE (14) and RING (13), tighten SETSCREW (14a)

NOTE: To obtain proper alignment it may be necessary to rotate VALVE (7) so that HANDLE (14) is aligned to desired orientation



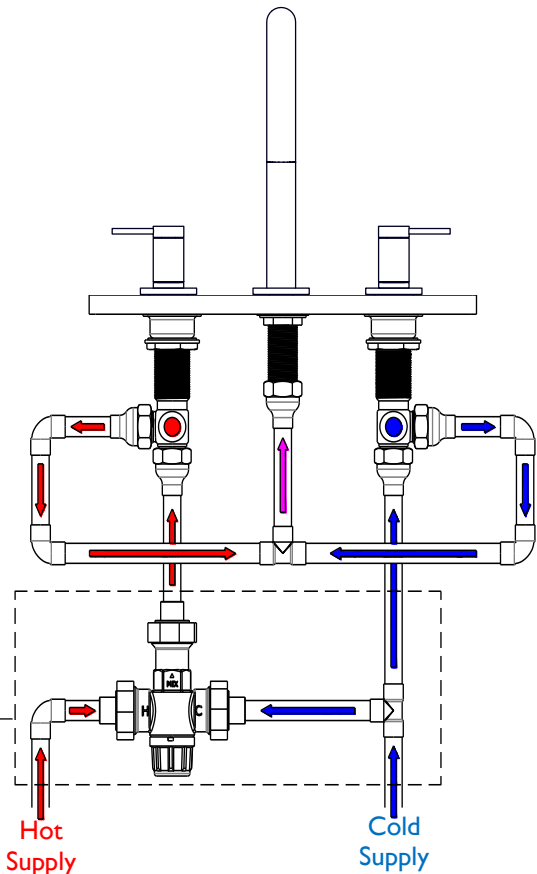
4 INSTALLING SUPPLY LINES

- Must use rigid copper piping (not flex) for all connections between spout and valves
- California Faucets recommends that all installation types have access panel(s) to allow for maintenance and/or service

Disclaimer: To conform to local codes and/or ordinances, it may be required that California Faucets Roman Tub sets be installed in conjunction with an ASSE 1070 approved tempering valve or equivalent (not included) to reduce hot water supply to a safe temperature.

Important: the INSTALLER is responsible to check local codes and/or ordinances, to confirm and verify proper maximum hot water temperature settings for all products installed

Warning: Water temperatures in excess of 110° F (43°C) are dangerous and may cause severe scalding and injury



Typical installation of ASSE 1070 tempering valve (follow tempering valve instructions)