

29 427

TIMELESS

PRESSURE BALANCE TRIM WITH 3-WAY DIVERTER WITH CARTRIDGE

Pure Freude
an Wasser



STANDARD SPECIFICATION:

- All metal handles and trim plates to cater to the look and feel of a premium brand
- No visible screws for a clean uncluttered look
- GROHE QuickFix® fixation system provides a completely flush mounted trim with no wobble
- Easy to turn Lever Handles to meet all user needs
- Double Ceramic Cartridge for smooth, leak-free performance and improved scald protection
- Requires GrohSafe™ 3.0 Pressure Balance Rough-in Valve with Integrated Diverter (35 117) (sold separately)



PRODUCT FEATURES:

-  GROHE StarLight®
-  GROHE SilkMove®
-  GROHE QuickFix®

CERTIFICATIONS:



- ADA
- CEC Certified
- CALGreen Compliant
- Massachusetts Plumbing Board Approved
- ASSE 1016
- CSA B125.1
- CSA B125.16
- ASME A112.18.1
- ASME A112.1016

AVAILABLE FINISHES:

- 29427000**  GROHE StarLight® Chrome
- 294272430**  Matte Black
- 29427A00**  Hard Graphite
- 29427EN0**  Brushed Nickel InfinityFinish™
- 29427GN0**  Brushed Cool Sunrise

NOTE: Install this product according to the installation guide. ADA, CSA compliant when installed to the specific requirements of these regulations.

We reserve the right to make revisions without notice to product specifications. 01-20-2023

US
Tel: 1.630.582.7711 Fax: 1.630.582.7722
For the most current Specification Sheet,
go to www.grohe.us.

Canada
Tel: 1.888.644.7643 Fax: 1.905.366.2071
For the most current Specification Sheet,
go to www.grohe.ca.

PART OF **LIXIL**

29 427

TIMELESS

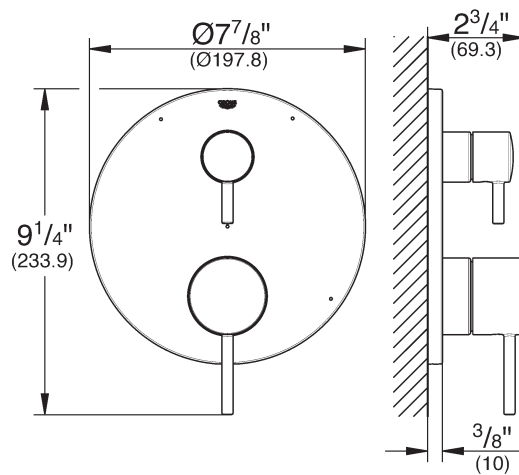
PRESSURE BALANCE TRIM WITH 3-WAY DIVERTER WITH CARTRIDGE

Pure Freude
an Wasser



TECHNICAL DATA:

Product Height	233.90 mm
Product Length	69.30 mm
Product Width	197.80 mm



35 117

GROHSAFE™ 3.0

PRESSURE BALANCE ROUGH-IN VALVE WITH INTEGRATED DIVERTER

Pure Freude
an Wasser



STANDARD SPECIFICATION:

- Flat Back for sturdy, quick installation
- Pre-installed Flush Plug with Fixation Ring to speed up testing and flushing the lines
- Convertible Flush Plug/Test Cap to accommodate single and multiple valve installations
- Aligned Inlets & Outlets to eliminate misaligned piping and rough-in mistakes due to different rough-in depths
- 2-Way/3-Way Convertible for one valve that makes specification & installation simple
- Made of DZR Brass to provide a corrosion resistant valve that can be installed in areas of with harsh water conditions
- ½ NPT



PRODUCT FEATURES:



CERTIFICATIONS:

- Massachusetts Plumbing Board Approved
- ASSE 1016
- CSA B125.1
- CSA B125.16
- ASME A112.18.1
- ASME A112.1016

AVAILABLE FINISHES:

35117000 No Finish

NOTE: Install this product according to the installation guide. ADA, CSA compliant when installed to the specific requirements of these regulations.

We reserve the right to make revisions without notice to product specifications. 04-14-2023

US
Tel: 1.630.582.7711 Fax: 1.630.582.7722
For the most current Specification Sheet,
go to www.grohe.us.

Canada
Tel: 1.888.644.7643 Fax: 1.905.366.2071
For the most current Specification Sheet,
go to www.grohe.ca.

PART OF **LIXIL**

35 117

GROHSAFE™ 3.0

PRESSURE BALANCE ROUGH-IN VALVE WITH INTEGRATED DIVERTER

*Pure Freude
an Wasser*

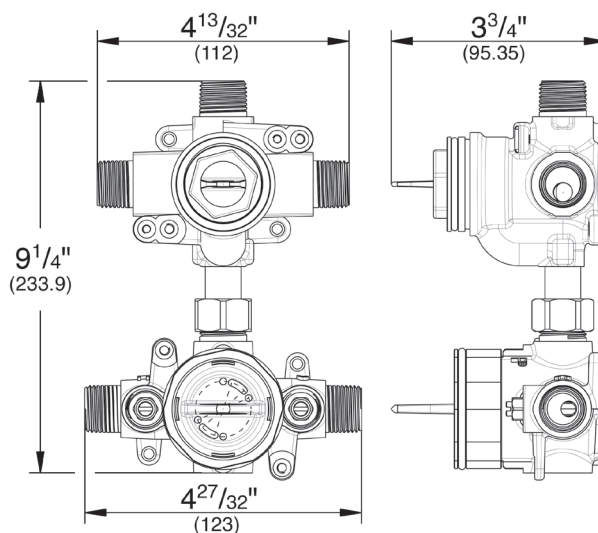


TECHNICAL DATA:

Product Height 177 mm

Product Length 95 mm

Product Width 123 mm



28 540

RAINSHOWER™

15" SHOWER ARM

Pure Freude
an Wasser



STANDARD SPECIFICATION:

- GROHE StarLight®
- 15" Shower Arm
- 1/2" NPT male threads
- Can be used with any shower head EXCEPT Rainshower™ Jumbo (28 783)



PRODUCT FEATURES:



GROHE StarLight®

CERTIFICATIONS:

- CSA B125.1
- ASME A112.18.1

AVAILABLE FINISHES:

- 28540000  GROHE StarLight® Chrome
- 285402430  Matte Black
- 28540A00  Hard Graphite
- 28540EN0  Brushed Nickel InfinityFinish™
- 28540GN0  Brushed Cool Sunrise

NOTE: Install this product according to the installation guide. ADA, CSA compliant when installed to the specific requirements of these regulations.

We reserve the right to make revisions without notice to product specifications. 10-05-2022

US
Tel: 1.630.582.7711 Fax: 1.630.582.7722
For the most current Specification Sheet,
go to www.grohe.us.

Canada
Tel: 1.888.644.7643 Fax: 1.905.366.2071
For the most current Specification Sheet,
go to www.grohe.ca.

PART OF **LIXIL**

28 540

RAINSHOWER™

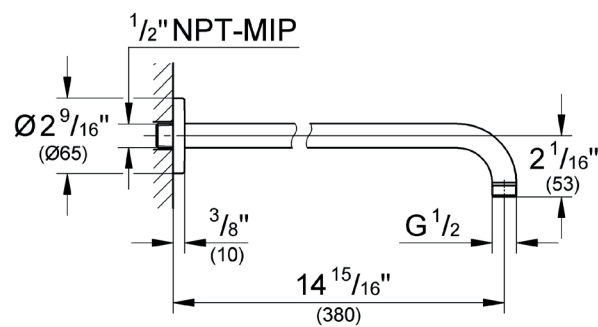
15" SHOWER ARM

*Pure Freude
an Wasser*



TECHNICAL DATA:

Product Height	86 mm
Product Length	381 mm
Product Width	65 mm



26 569

RAINSHOWER™

310 MONO SHOWER HEAD, 12" - 1 SPRAY

Pure Freude
an Wasser



STANDARD SPECIFICATION:

- GROHE StarLight®
- GROHE DreamSpray®
- GROHE EcoJoy®
- GROHE SpeedClean®
- 1 Spray: GROHE PureRain
- 12" Face
- Ball joint angle adjustable $\pm 10^\circ$
- 1/2" NPT Connection
- Recommended Rainshower™ arm: (28 540)
(sold separately)
- Max. flow rate: 1.75gpm (6.6L/min)



PRODUCT FEATURES:

-  GROHE StarLight®
-  GROHE DreamSpray®
-  GROHE EcoJoy™
-  Speed Clean®

CERTIFICATIONS:



- WaterSense
- CEC Certified
- CALGreen Compliant
- Massachusetts Plumbing Board Approved
- Energy Policy Act of 1992
- CSA B125.1
- ASME A112.18.1

AVAILABLE FINISHES:

- 26569000**  GROHE StarLight® Chrome
- 265692430**  Matte Black
- 26569A00**  Hard Graphite
- 26569EN0**  Brushed Nickel InfinityFinish™
- 26569GN0**  Brushed Cool Sunrise

NOTE: Install this product according to the installation guide. ADA, CSA compliant when installed to the specific requirements of these regulations.

We reserve the right to make revisions without notice to product specifications. 06-03-2022

US
Tel: 1.630.582.7711 Fax: 1.630.582.7722
For the most current Specification Sheet,
go to www.grohe.us.

Canada
Tel: 1.888.644.7643 Fax: 1.905.366.2071
For the most current Specification Sheet,
go to www.grohe.ca.

PART OF **LIXIL**

26 569

RAINSHOWER™

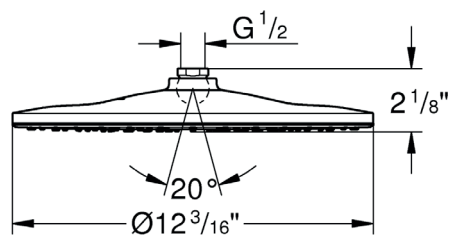
310 MONO SHOWER HEAD, 12" - 1
SPRAY

Pure Freude
an Wasser



TECHNICAL DATA:

Product Height	12-3/16 in
Product Length	7-3/4 in
Product Width	12-3/16 in
GPM (Min)-GPM (Max)	1.75 gal (US)/min



26 866

SENA

STICK HAND SHOWER - 1 SPRAY



GROHE SPA

STANDARD SPECIFICATION:

- GROHE StarLight®
- GROHE DreamSpray®
- Speed Clean® anti-lime system
- 1 Spray: Non-adjustable wide spray
- Metal hand shower
- Inner WaterGuide for a longer life
- Max. flow rate: 1.75gpm (6.6L/min)
- Optional Adaptor Elbow (28 389) (sold separately)



PRODUCT FEATURES:

-  GROHE StarLight®
-  GROHE DreamSpray®
-  Speed Clean®

CERTIFICATIONS:



- WaterSense
- CEC Certified
- CALGreen Compliant
- Massachusetts Plumbing Board Approved
- Energy Policy Act of 1992
- CSA B125.1
- ASME A112.18.1

AVAILABLE FINISHES:

- 26866000  GROHE StarLight® Chrome
- 268662430  Matte Black
- 26866A00  Hard Graphite
- 26866EN0  Brushed Nickel InfinityFinish™
- 26866GN0  Brushed Cool Sunrise

NOTE: Install this product according to the installation guide. ADA, CSA compliant when installed to the specific requirements of these regulations.

We reserve the right to make revisions without notice to product specifications. 07-27-2023

US
Tel: 1.630.582.7711 Fax: 1.630.582.7722
For the most current Specification Sheet,
go to www.grohe.us.

Canada
Tel: 1.888.644.7643 Fax: 1.905.366.2071
For the most current Specification Sheet,
go to www.grohe.ca.

PART OF LIXIL

26 866

SENA

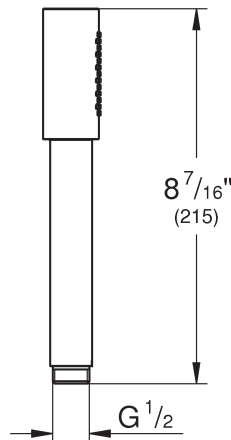
STICK HAND SHOWER - 1 SPRAY



GROHE SPA

TECHNICAL DATA:

Product Height	215 mm
Product Length	32 mm
Product Width	32 mm
GPM (Min)-GPM (Max)	1.75 GPM



26 602

RAINSHOWER™

24" SHOWER SLIDE BAR

Pure Freude
an Wasser



STANDARD SPECIFICATION:

- GROHE StarLight®
- GROHE QuickFix® Plus adjustable distance between brackets for easy alignment with existing drilling holes
- GROHE TileFix (adjustable depth on upper and lower brackets to accommodate uneven surfaces)
- GROHE EasyReach tray
- Swivel hand shower holder
- Adjustable angle of hand shower
- Adjustable height



PRODUCT FEATURES:

-  GROHE StarLight®
-  GROHE QuickFix®

CERTIFICATIONS:

AVAILABLE FINISHES:

- 26602000**  GROHE StarLight® Chrome
- 266022430**  Matte Black
- 26602A00**  Hard Graphite
- 26602EN0**  Brushed Nickel InfinityFinish™
- 26602GN0**  Brushed Cool Sunrise

NOTE: Install this product according to the installation guide. ADA, CSA compliant when installed to the specific requirements of these regulations.

We reserve the right to make revisions without notice to product specifications. 07-06-2022

US
Tel: 1.630.582.7711 Fax: 1.630.582.7722
For the most current Specification Sheet,
go to www.grohe.us.

Canada
Tel: 1.888.644.7643 Fax: 1.905.366.2071
For the most current Specification Sheet,
go to www.grohe.ca.

PART OF **LIXIL**

26 602

RAINSHOWER™

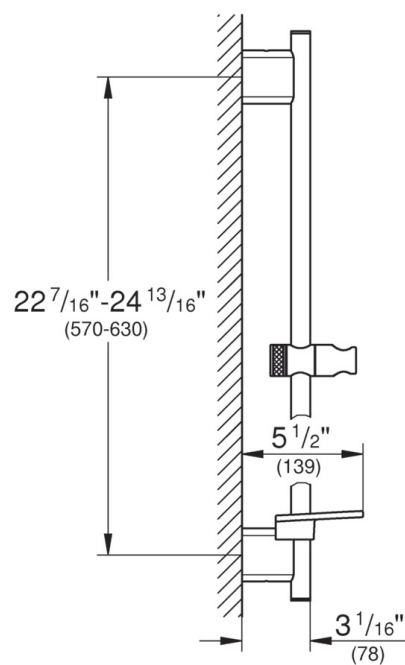
24" SHOWER SLIDE BAR

*Pure Freude
an Wasser*



TECHNICAL DATA:

Product Height	630 mm
Product Length	140 mm
Product Width	140 mm



26 994

UNIVERSAL

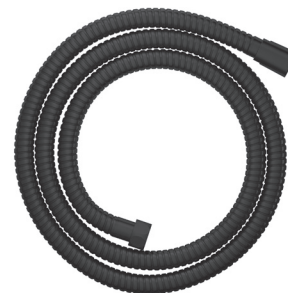
59" METAL TWIST-FREE SHOWER HOSE

Pure Freude
an Wasser



STANDARD SPECIFICATION:

- 59" Long
- Metal hose
- Tensile strength 500 N
- Pressure resistance: up to 14.5psi (16 bar)
- Heat resistance 165°F
- AntiFold bend proof
- 1/2" NPT female threads
- Rotation cone for Twist-free function
- Silicone strip prevents hand shower from turning while in body spray position



PRODUCT FEATURES:

CERTIFICATIONS:



- ADA
- Massachusetts Plumbing Board Approved
- CSA B125.1
- ASME A112.18.1

AVAILABLE FINISHES:

269942430  Matte Black

NOTE: Install this product according to the installation guide. ADA, CSA compliant when installed to the specific requirements of these regulations.

We reserve the right to make revisions without notice to product specifications. 10-05-2022

US
Tel: 1.630.582.7711 Fax: 1.630.582.7722
For the most current Specification Sheet,
go to www.grohe.us.

Canada
Tel: 1.888.644.7643 Fax: 1.905.366.2071
For the most current Specification Sheet,
go to www.grohe.ca.

PART OF **LIXIL**

26 994

UNIVERSAL

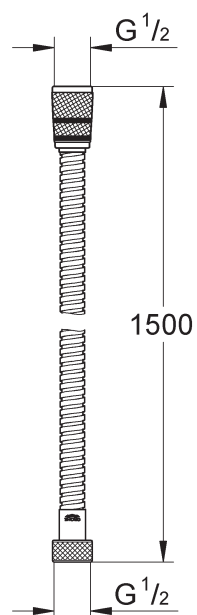
59" METAL TWIST-FREE SHOWER HOSE

*Pure Freude
an Wasser*



TECHNICAL DATA:

Product Height	23 mm
Product Length	1,500 mm
Product Width	23 mm



26 635

RAINSHOWER™

WALL UNION

Pure Freude
an Wasser



STANDARD SPECIFICATION:

- GROHE StarLight®
- 1/2" NPT threads
- Check valve included to prevent backflow



PRODUCT FEATURES:



CERTIFICATIONS:

- CSA B125.1
- ASME A112.18.1

AVAILABLE FINISHES:

- 26635000**  GROHE StarLight® Chrome
- 266352430**  Matte Black
- 26635A00**  Hard Graphite
- 26635EN0**  Brushed Nickel InfinityFinish™
- 26635GN0**  Brushed Cool Sunrise

NOTE: Install this product according to the installation guide. ADA, CSA compliant when installed to the specific requirements of these regulations.

We reserve the right to make revisions without notice to product specifications. 06-03-2022

US
Tel: 1.630.582.7711 Fax: 1.630.582.7722
For the most current Specification Sheet,
go to www.grohe.us.

Canada
Tel: 1.888.644.7643 Fax: 1.905.366.2071
For the most current Specification Sheet,
go to www.grohe.ca.

PART OF **LIXIL**

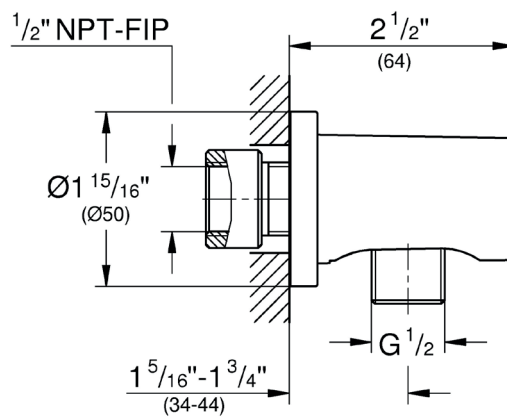
26 635
RAINSHOWER™
WALL UNION

Pure Freude
an Wasser



TECHNICAL DATA:

Product Height	1-15/16 in
Product Length	2-1/2 in
Product Width	1-15/16 in



13 274

CONCETTO™

TUB SPOUT

Pure Freude
an Wasser



STANDARD SPECIFICATION:

- GROHE StarLight®
- 6 11/16" Spout reach
- Wall mount
- 1/2" Inlet



PRODUCT FEATURES:



GROHE StarLight®

CERTIFICATIONS:

- Massachusetts Plumbing Board Approved
- Energy Policy Act of 1992
- CSA B125.1
- ASME A112.18.1

AVAILABLE FINISHES:

- | | | |
|-----------|--|--------------------------------|
| 13274001 | | GROHE StarLight® Chrome |
| 132742431 | | Matte Black |
| 13274A01 | | Hard Graphite |
| 13274EN1 | | Brushed Nickel InfinityFinish™ |
| 13274GN1 | | Brushed Cool Sunrise |

NOTE: Install this product according to the installation guide. ADA, CSA compliant when installed to the specific requirements of these regulations.

We reserve the right to make revisions without notice to product specifications. 06-03-2022

US
Tel: 1.630.582.7711 Fax: 1.630.582.7722
For the most current Specification Sheet,
go to www.grohe.us.

Canada
Tel: 1.888.644.7643 Fax: 1.905.366.2071
For the most current Specification Sheet,
go to www.grohe.ca.

PART OF **LIXIL**

13 274
CONCETTO™
TUB SPOUT

Pure Freude
an Wasser



TECHNICAL DATA:

Product Height	3-1/8 in
Product Width	3-1/8 in
Fitting Spout Reach	6-11/16 in

