

29 425

## COSMOPOLITAN

### PRESSURE BALANCE VALVE TRIM WITH 3-WAY DIVERTER WITH CARTRIDGE

Pure Freude  
an Wasser



#### STANDARD SPECIFICATION:

- All metal handles and trim plates to cater to the look and feel of a premium brand
- No visible screws for a clean uncluttered look
- GROHE QuickFix® fixation system provides a completely flush mounted trim with no wobble
- Easy to turn Lever Handles to meet all user needs
- Double Ceramic Cartridge for smooth, leak-free performance and improved scald protection
- Requires GrohSafe™ 3.0 Pressure Balance Rough-in Valve with Integrated Diverter (35 117) (sold separately)



#### PRODUCT FEATURES:



-  GROHE StarLight®
-  GROHE SilkMove®
-  GROHE QuickFix®

#### CERTIFICATIONS:



- ADA
- CEC Certified
- CALGreen Compliant
- Massachusetts Plumbing Board Approved
- ASSE 1016
- CSA B125.1
- CSA B125.16
- ASME A112.18.1
- ASME A112.1016

#### AVAILABLE FINISHES:

- 29425000**  GROHE StarLight® Chrome
- 29425EN0**  Brushed Nickel InfinityFinish™

NOTE: Install this product according to the installation guide. ADA, CSA compliant when installed to the specific requirements of these regulations.

We reserve the right to make revisions without notice to product specifications. 01-20-2023

**US**  
Tel: 1.630.582.7711 Fax: 1.630.582.7722  
For the most current Specification Sheet,  
go to [www.grohe.us](http://www.grohe.us).

**Canada**  
Tel: 1.888.644.7643 Fax: 1.905.366.2071  
For the most current Specification Sheet,  
go to [www.grohe.ca](http://www.grohe.ca).

PART OF **LIXIL**

29 425

# COSMOPOLITAN

## PRESSURE BALANCE VALVE TRIM WITH 3-WAY DIVERTER WITH CARTRIDGE

*Pure Freude  
an Wasser*

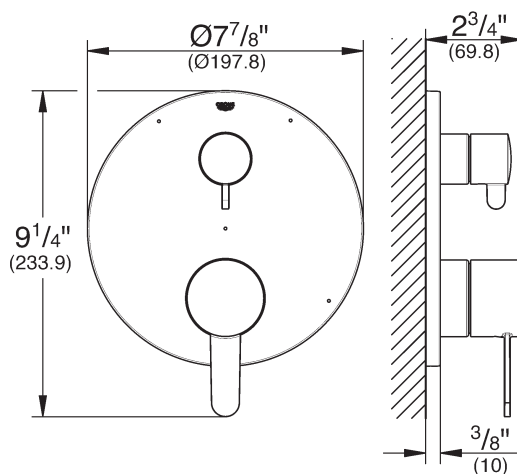


### TECHNICAL DATA:

Product Height 233.90 mm

Product Length 69.30 mm

Product Width 197.80 mm



35 117

## GROHSAFE™ 3.0

### PRESSURE BALANCE ROUGH-IN VALVE WITH INTEGRATED DIVERTER

Pure Freude  
an Wasser



#### STANDARD SPECIFICATION:

- Flat Back for sturdy, quick installation
- Pre-installed Flush Plug with Fixation Ring to speed up testing and flushing the lines
- Convertible Flush Plug/Test Cap to accommodate single and multiple valve installations
- Aligned Inlets & Outlets to eliminate misaligned piping and rough-in mistakes due to different rough-in depths
- 2-Way/3-Way Convertible for one valve that makes specification & installation simple
- Made of DZR Brass to provide a corrosion resistant valve that can be installed in areas of with harsh water conditions
- ½ NPT



#### PRODUCT FEATURES:



#### CERTIFICATIONS:

- Massachusetts Plumbing Board Approved
- ASSE 1016
- CSA B125.1
- CSA B125.16
- ASME A112.18.1
- ASME A112.1016

#### AVAILABLE FINISHES:

**35117000** No Finish

NOTE: Install this product according to the installation guide. ADA, CSA compliant when installed to the specific requirements of these regulations.

We reserve the right to make revisions without notice to product specifications. 04-14-2023

**US**  
Tel: 1.630.582.7711 Fax: 1.630.582.7722  
For the most current Specification Sheet,  
go to [www.grohe.us](http://www.grohe.us).

**Canada**  
Tel: 1.888.644.7643 Fax: 1.905.366.2071  
For the most current Specification Sheet,  
go to [www.grohe.ca](http://www.grohe.ca).

PART OF **LIXIL**

35 117

# GROHSAFE™ 3.0

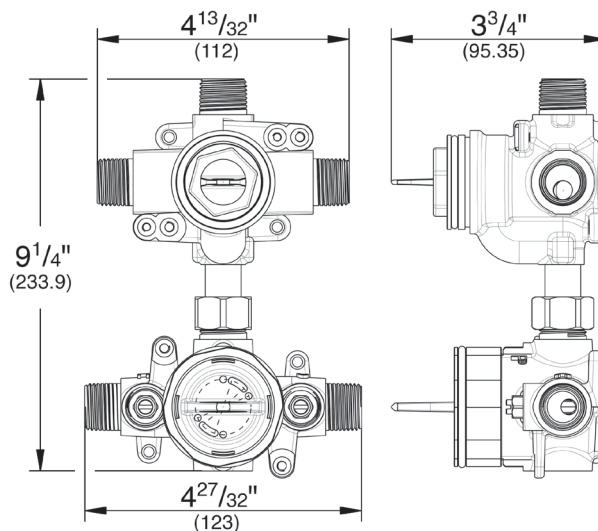
## PRESSURE BALANCE ROUGH-IN VALVE WITH INTEGRATED DIVERTER

*Pure Freude  
an Wasser*



### TECHNICAL DATA:

Product Height	177 mm
Product Length	95 mm
Product Width	123 mm



27 412

**RELEXA®**

6 1/4" SHOWER ARM

Pure Freude  
an Wasser



**STANDARD SPECIFICATION:**

- GROHE StarLight®
- 1/2" NPT Male threads



**PRODUCT FEATURES:**



GROHE StarLight®

**CERTIFICATIONS:**

- Massachusetts Plumbing Board Approved
- CSA B125.1
- ASME A112.18.1

**AVAILABLE FINISHES:**

27412000		GROHE StarLight® Chrome
27412A00		Hard Graphite
27412BE0		Polished Nickel InfinityFinish™
27412EN0		Brushed Nickel InfinityFinish™
27412GN0		Brushed Cool Sunrise

NOTE: Install this product according to the installation guide. ADA, CSA compliant when installed to the specific requirements of these regulations.

Tel: 1.630.582.7711 Fax: 1.630.582.7722  
We reserve the right to make revisions without notice to product specifications.  
For the most current Specification Sheet, go to [www.grohe.us](http://www.grohe.us).  
10-21-2021

PART OF **LIXIL**

27 412

**RELEXA®**

6 1/4" SHOWER ARM

Pure Freude  
an Wasser

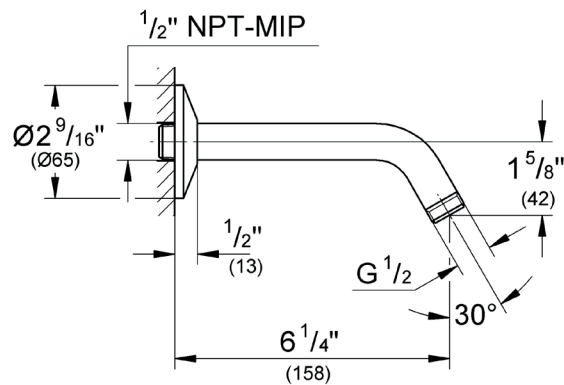


**TECHNICAL DATA:**

Product Height 3-9/16 in

Product Length 4-15/17 in

Product Width 2-9/16 in



RELEXA  
6 5/8" Tubular Shower Arm  
MODEL # 27412000

Pure Freude  
an Wasser

GROHE



**Product Description:**

RELEXA

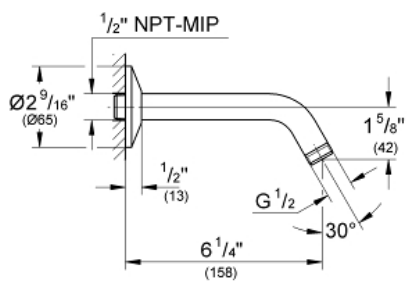
6 5/8" Tubular Shower Arm

**Standard Specification:**

- GROHE StarLight chrome finish

**Color:**

- 27412000 StarLight Chrome

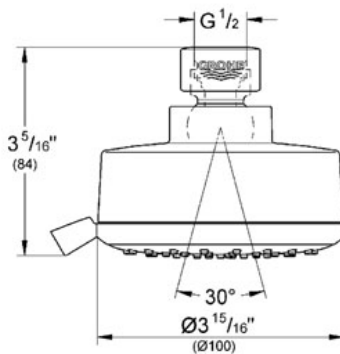


NEW TEMPESTA  
COSMOPOLITAN 100  
Head shower 4 sprays  
MODEL # 26043

*Pure Freude an Wasser*

**GROHE**

GROHE America, Inc | 200 North Gary Avenue, Suite G, Roselle, IL 60172  
Phone: +1 (800) 444-7643 | Fax: +1 (800) 225-2778 | us-customerservice@grohe.com



**Product Description:**  
Head shower 4 sprays

**Standard Specification:**

- GROHE StarLight® finish
- GROHE DreamSpray® perfect spray pattern
- GROHE EcoJoy® technology for less water and perfect flow
- SpeedClean anti-lime system
- Inner WaterGuide for a longer life
- GROHE Rain O2, Rain
- Rotating ball joint  $\pm 15^\circ$
- Suitable for instantaneous heater
- Blister pack
- Min. recommended pressure 14.5 PSI
- Max Flow Rate: 2.0 gpm
- Massage, Jet

**Applicable Codes & Standards:**

- Energy Policy Act of 1992
- ASME A112.18.1/CSA B125.1

**Color:**

- 26043 000 chrome
- 26043 EN0 Brushed Nickel

26 046

# TEMPESTA® COSMOPOLITAN

100 HAND SHOWER - 2 SPRAYS

Pure Freude  
an Wasser





## STANDARD SPECIFICATION:

- GROHE StarLight®
- GROHE DreamSpray®
- GROHE EcoJoy®
- Speed Clean® anti-lime system
- 4" Face
- 2 Sprays: Rain, Jet
- 1/2" NPT female threads
- Chrome - white spray face
- Brushed Nickel - charcoal spray face
- Max. flow rate: 1.75gpm (6.6L/min)



## PRODUCT FEATURES:



-  GROHE StarLight®
-  GROHE DreamSpray®
-  GROHE EcoJoy™
-  Speed Clean®

## CERTIFICATIONS:



- WaterSense
- CEC Certified
- CALGreen Compliant
- Massachusetts Plumbing Board Approved
- CSA B125.1
- ASME A112.18.1

## AVAILABLE FINISHES:

- 26046002**  GROHE StarLight® Chrome
- 26046EN2**  Brushed Nickel InfinityFinish™

NOTE: Install this product according to the installation guide. ADA, CSA compliant when installed to the specific requirements of these regulations.

Tel: 1.630.582.7711 Fax: 1.630.582.7722  
We reserve the right to make revisions without notice to product specifications.  
For the most current Specification Sheet, go to [www.grohe.us](http://www.grohe.us).  
10-20-2021

PART OF **LIXIL**

26 046

# TEMPESTA® COSMOPOLITAN

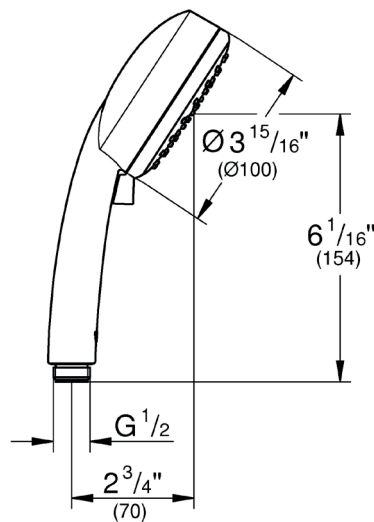
100 HAND SHOWER - 2 SPRAYS

Pure Freude  
an Wasser



## TECHNICAL DATA:

Product Height	8-1/16 in
Product Length	5-1/8 in
Product Width	3-15/16 in
GPM (Min)-GPM (Max)	1.75 gal (US)/min

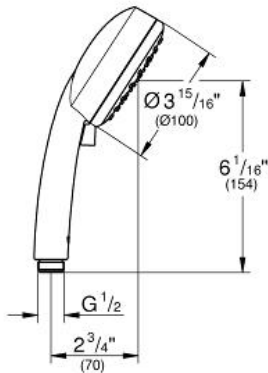


NEW TEMPESTA  
COSMOPOLITAN 100  
Hand shower 2 sprays  
MODEL # 26046001

Pure Freude an Wasser



GROHE America, Inc | 200 North Gary Avenue, Suite G, Roselle, IL 60172  
Phone: +1 (800) 444-7643 | Fax: +1 (800) 225-2778 | us-customerservice@grohe.com



**Product Description:**  
Hand shower 2 sprays

**Standard Specification:**

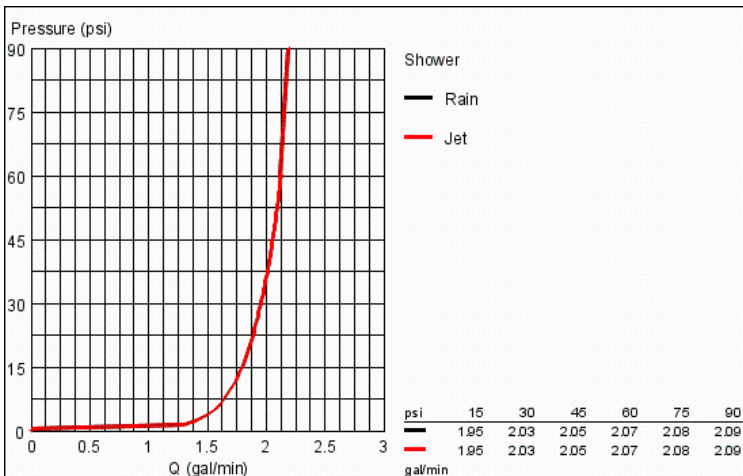
- 2 adjustable spray patterns: Rain, Jet
- GROHE EcoJoy 2.0 gpm flow limiter
- GROHE DreamSpray perfect spray pattern
- GROHE StarLight chrome finish
- Inner WaterGuide for a longer life
- SpeedClean® anti-lime system
- Universal mounting system (fits all standard shower hoses)
- Suitable for instantaneous heater
- Min. recommended pressure: 15 psi
- Blister pack

**Applicable Codes & Standards:**

- ASME A112.18.1/CSA B125.1
- EPA WaterSense®

**Color:**

- 26046001 StarLight Chrome



26 922

# TEMPESTA®

## 24" (600MM) SHOWER SLIDE BAR

Pure Freude  
an Wasser



### STANDARD SPECIFICATION:

- 24" Bar Length
- GROHE Fast Fixation - Adjustable upper bracket for use covering existing wall holes
- Adjustable hand shower holder glider



### PRODUCT FEATURES:






### CERTIFICATIONS:



- WaterSense
- CEC Certified
- CALGreen Compliant
- Massachusetts Plumbing Board Approved
- Energy Policy Act of 1992
- CSA B125.1
- ASME A112.18.1

### AVAILABLE FINISHES:

- 26922001**  GROHE StarLight® Chrome
- 269222431**  Matte Black
- 26922EN1**  Brushed Nickel InfinityFinish™

NOTE: Install this product according to the installation guide. ADA, CSA compliant when installed to the specific requirements of these regulations.

We reserve the right to make revisions without notice to product specifications. 11-03-2023

**US**  
Tel: 1.630.582.7711 Fax: 1.630.582.7722  
For the most current Specification Sheet,  
go to [www.grohe.us](http://www.grohe.us).

**Canada**  
Tel: 1.888.644.7643 Fax: 1.905.366.2071  
For the most current Specification Sheet,  
go to [www.grohe.ca](http://www.grohe.ca).

PART OF **LIXIL**

26 922

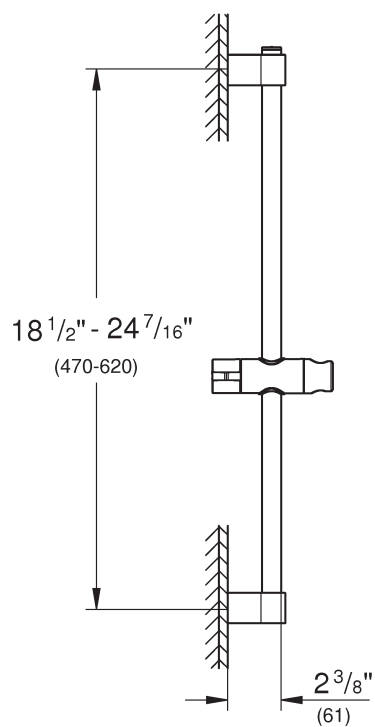
**TEMPESTA®**

24" (600MM) SHOWER SLIDE BAR

*Pure Freude  
an Wasser*



**TECHNICAL DATA:**



26 994

**UNIVERSAL**

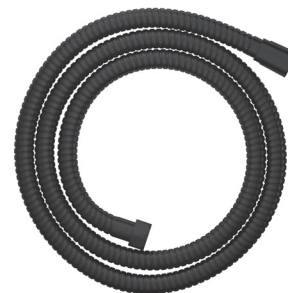
59" METAL TWIST-FREE SHOWER HOSE

Pure Freude  
an Wasser



**STANDARD SPECIFICATION:**

- 59" Long
- Metal hose
- Tensile strength 500 N
- Pressure resistance: up to 14.5psi (16 bar)
- Heat resistance 165°F
- AntiFold bend proof
- 1/2" NPT female threads
- Rotation cone for Twist-free function
- Silicone strip prevents hand shower from turning while in body spray position



**PRODUCT FEATURES:**

**CERTIFICATIONS:**



- ADA
- Massachusetts Plumbing Board Approved
- CSA B125.1
- ASME A112.18.1

**AVAILABLE FINISHES:**

269942430  Matte Black

NOTE: Install this product according to the installation guide. ADA, CSA compliant when installed to the specific requirements of these regulations.

We reserve the right to make revisions without notice to product specifications. 10-05-2022

**US**  
Tel: 1.630.582.7711 Fax: 1.630.582.7722  
For the most current Specification Sheet,  
go to [www.grohe.us](http://www.grohe.us).

**Canada**  
Tel: 1.888.644.7643 Fax: 1.905.366.2071  
For the most current Specification Sheet,  
go to [www.grohe.ca](http://www.grohe.ca).

PART OF **LIXIL**

26 994

**UNIVERSAL**

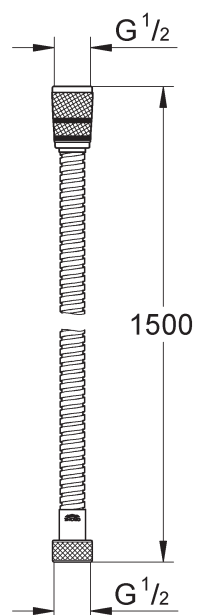
59" METAL TWIST-FREE SHOWER HOSE

*Pure Freude  
an Wasser*



**TECHNICAL DATA:**

Product Height	23 mm
Product Length	1,500 mm
Product Width	23 mm



# 26 635

## RAINSHOWER™

### WALL UNION

Pure Freude  
an Wasser



#### STANDARD SPECIFICATION:

- GROHE StarLight®
- 1/2" NPT threads
- Check valve included to prevent backflow



#### PRODUCT FEATURES:



#### CERTIFICATIONS:

- CSA B125.1
- ASME A112.18.1

#### AVAILABLE FINISHES:

- 26635000**  GROHE StarLight® Chrome
- 266352430**  Matte Black
- 26635A00**  Hard Graphite
- 26635EN0**  Brushed Nickel InfinityFinish™
- 26635GN0**  Brushed Cool Sunrise

NOTE: Install this product according to the installation guide. ADA, CSA compliant when installed to the specific requirements of these regulations.

We reserve the right to make revisions without notice to product specifications. 06-03-2022

**US**  
Tel: 1.630.582.7711 Fax: 1.630.582.7722  
For the most current Specification Sheet,  
go to [www.grohe.us](http://www.grohe.us).

**Canada**  
Tel: 1.888.644.7643 Fax: 1.905.366.2071  
For the most current Specification Sheet,  
go to [www.grohe.ca](http://www.grohe.ca).

PART OF **LIXIL**

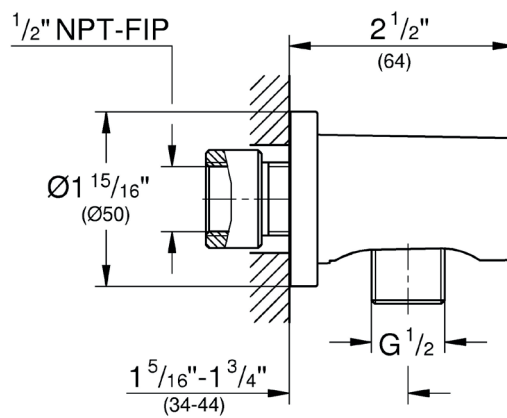
26 635  
**RAINSHOWER™**  
WALL UNION

Pure Freude  
an Wasser



**TECHNICAL DATA:**

Product Height	1-15/16 in
Product Length	2-1/2 in
Product Width	1-15/16 in



# 13 274

## CONCETTO™

### TUB SPOUT

Pure Freude  
an Wasser



#### STANDARD SPECIFICATION:

- GROHE StarLight®
- 6 11/16" Spout reach
- Wall mount
- 1/2" Inlet



#### PRODUCT FEATURES:



GROHE StarLight®

#### CERTIFICATIONS:

- Massachusetts Plumbing Board Approved
- Energy Policy Act of 1992
- CSA B125.1
- ASME A112.18.1

#### AVAILABLE FINISHES:

- |           |  |                                |
|-----------|--|--------------------------------|
| 13274001  |  | GROHE StarLight® Chrome        |
| 132742431 |  | Matte Black                    |
| 13274A01  |  | Hard Graphite                  |
| 13274EN1  |  | Brushed Nickel InfinityFinish™ |
| 13274GN1  |  | Brushed Cool Sunrise           |

NOTE: Install this product according to the installation guide. ADA, CSA compliant when installed to the specific requirements of these regulations.

We reserve the right to make revisions without notice to product specifications. 06-03-2022

**US**  
Tel: 1.630.582.7711 Fax: 1.630.582.7722  
For the most current Specification Sheet,  
go to [www.grohe.us](http://www.grohe.us).

**Canada**  
Tel: 1.888.644.7643 Fax: 1.905.366.2071  
For the most current Specification Sheet,  
go to [www.grohe.ca](http://www.grohe.ca).

PART OF **LIXIL**

13 274  
**CONCETTO™**  
TUB SPOUT

Pure Freude  
an Wasser



**TECHNICAL DATA:**

Product Height	3-1/8 in
Product Width	3-1/8 in
Fitting Spout Reach	6-11/16 in

