

29 427

TIMELESS

PRESSURE BALANCE TRIM WITH 3-WAY DIVERTER WITH CARTRIDGE

Pure Freude
an Wasser



STANDARD SPECIFICATION:

- All metal handles and trim plates to cater to the look and feel of a premium brand
- No visible screws for a clean uncluttered look
- GROHE QuickFix® fixation system provides a completely flush mounted trim with no wobble
- Easy to turn Lever Handles to meet all user needs
- Double Ceramic Cartridge for smooth, leak-free performance and improved scald protection
- Requires GrohSafe™ 3.0 Pressure Balance Rough-in Valve with Integrated Diverter (35 117) (sold separately)



PRODUCT FEATURES:

-  GROHE StarLight®
-  GROHE SilkMove®
-  GROHE QuickFix®

CERTIFICATIONS:



- ADA
- CEC Certified
- CALGreen Compliant
- Massachusetts Plumbing Board Approved
- ASSE 1016
- CSA B125.1
- CSA B125.16
- ASME A112.18.1
- ASME A112.1016

AVAILABLE FINISHES:

- 29427000**  GROHE StarLight® Chrome
- 294272430**  Matte Black
- 29427A00**  Hard Graphite
- 29427EN0**  Brushed Nickel InfinityFinish™
- 29427GN0**  Brushed Cool Sunrise

NOTE: Install this product according to the installation guide. ADA, CSA compliant when installed to the specific requirements of these regulations.

We reserve the right to make revisions without notice to product specifications. 01-20-2023

US
Tel: 1.630.582.7711 Fax: 1.630.582.7722
For the most current Specification Sheet,
go to www.grohe.us.

Canada
Tel: 1.888.644.7643 Fax: 1.905.366.2071
For the most current Specification Sheet,
go to www.grohe.ca.

PART OF **LIXIL**

29 427

TIMELESS

PRESSURE BALANCE TRIM WITH 3-WAY DIVERTER WITH CARTRIDGE

Pure Freude
an Wasser

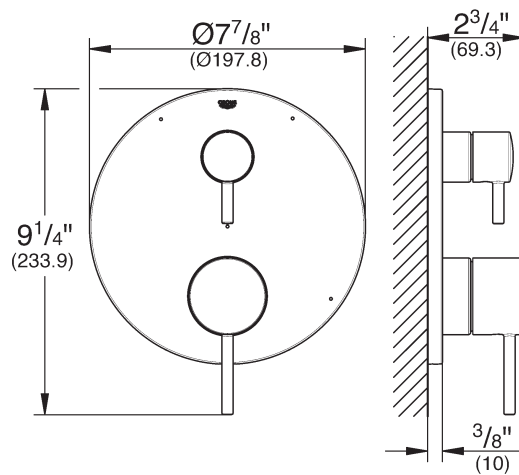


TECHNICAL DATA:

Product Height 233.90 mm

Product Length 69.30 mm

Product Width 197.80 mm



35 117

GROHSAFE™ 3.0

PRESSURE BALANCE ROUGH-IN VALVE WITH INTEGRATED DIVERTER

Pure Freude
an Wasser



STANDARD SPECIFICATION:

- Flat Back for sturdy, quick installation
- Pre-installed Flush Plug with Fixation Ring to speed up testing and flushing the lines
- Convertible Flush Plug/Test Cap to accommodate single and multiple valve installations
- Aligned Inlets & Outlets to eliminate misaligned piping and rough-in mistakes due to different rough-in depths
- 2-Way/3-Way Convertible for one valve that makes specification & installation simple
- Made of DZR Brass to provide a corrosion resistant valve that can be installed in areas of with harsh water conditions
- ½ NPT



PRODUCT FEATURES:



CERTIFICATIONS:

- Massachusetts Plumbing Board Approved
- ASSE 1016
- CSA B125.1
- CSA B125.16
- ASME A112.18.1
- ASME A112.1016

AVAILABLE FINISHES:

35117000 No Finish

NOTE: Install this product according to the installation guide. ADA, CSA compliant when installed to the specific requirements of these regulations.

We reserve the right to make revisions without notice to product specifications. 04-14-2023

US
Tel: 1.630.582.7711 Fax: 1.630.582.7722
For the most current Specification Sheet,
go to www.grohe.us.

Canada
Tel: 1.888.644.7643 Fax: 1.905.366.2071
For the most current Specification Sheet,
go to www.grohe.ca.

PART OF **LIXIL**

35 117

GROHSAFE™ 3.0

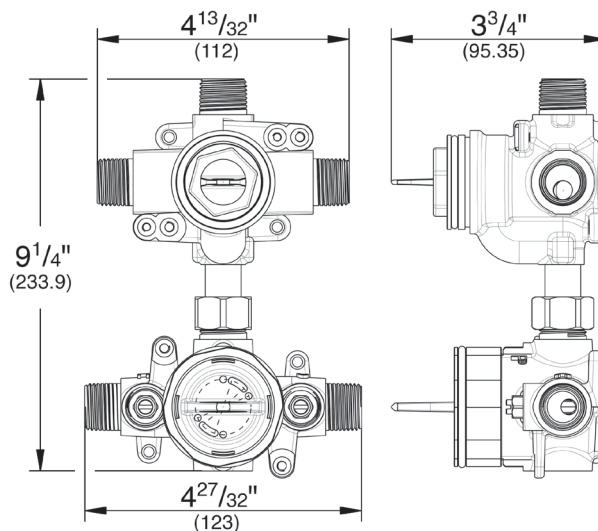
PRESSURE BALANCE ROUGH-IN VALVE WITH INTEGRATED DIVERTER

*Pure Freude
an Wasser*



TECHNICAL DATA:

Product Height	177 mm
Product Length	95 mm
Product Width	123 mm



26 789

RAINSHOWER™ SMARTACTIVE

SHOWER HEAD, 6 1/2" - 3 SPRAYS

Pure Freude
an Wasser



STANDARD SPECIFICATION:

- GROHE StarLight® Finish
- GROHE DreamSpray®
- GROHE EcoJoy™
- GROHE DripStop™ minimizes dripping after water is turned off
- GROHE SmartToggle™ showering spray selection at the push of a lever
- Speed Clean® anti-lime system
- 6 1/2" Face
- 3 Sprays: GROHE Rain with DripStop, Jet with DripStop, ActiveMassage
- Max. flow rate: 1.75gpm (6.6L/min)



PRODUCT FEATURES:

- GROHE StarLight®
- GROHE DreamSpray®
- GROHE EcoJoy™
- GROHE DripStop™
- GROHE SmartToggle™
- Speed Clean®

CERTIFICATIONS:



- WaterSense
- CEC Certified
- CALGreen Compliant
- Massachusetts Plumbing Board Approved
- Energy Policy Act of 1992
- CSA B125.1
- ASME A112.18.1

AVAILABLE FINISHES:

- 26789000 GROHE StarLight® Chrome
- 267892430 Matte Black
- 26789A00 Hard Graphite
- 26789EN0 Brushed Nickel InfinityFinish™
- 26789GN0 Brushed Cool Sunrise

NOTE: Install this product according to the installation guide. ADA, CSA compliant when installed to the specific requirements of these regulations.

We reserve the right to make revisions without notice to product specifications. 06-03-2022

US
Tel: 1.630.582.7711 Fax: 1.630.582.7722
For the most current Specification Sheet,
go to www.grohe.us.

Canada
Tel: 1.888.644.7643 Fax: 1.905.366.2071
For the most current Specification Sheet,
go to www.grohe.ca.

PART OF **LIXIL**

26 789

RAINSHOWER™ SMARTACTIVE

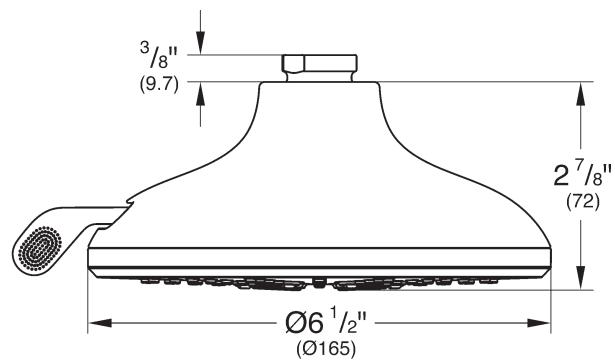
SHOWER HEAD, 6 1/2" - 3 SPRAYS

Pure Freude
an Wasser



TECHNICAL DATA:

Product Height	165.90 mm
Product Length	82.30 mm
Product Width	165.90 mm
GPM (Min)-GPM (Max)	1.75 GPM



27 412

RELEXA®

6 1/4" SHOWER ARM

Pure Freude
an Wasser



STANDARD SPECIFICATION:

- GROHE StarLight®
- 1/2" NPT Male threads



PRODUCT FEATURES:



GROHE StarLight®

CERTIFICATIONS:

- Massachusetts Plumbing Board Approved
- CSA B125.1
- ASME A112.18.1

AVAILABLE FINISHES:

27412000		GROHE StarLight® Chrome
27412A00		Hard Graphite
27412BE0		Polished Nickel InfinityFinish™
27412EN0		Brushed Nickel InfinityFinish™
27412GN0		Brushed Cool Sunrise

NOTE: Install this product according to the installation guide. ADA, CSA compliant when installed to the specific requirements of these regulations.

Tel: 1.630.582.7711 Fax: 1.630.582.7722
We reserve the right to make revisions without notice to product specifications.
For the most current Specification Sheet, go to www.grohe.us.
10-21-2021

PART OF **LIXIL**

27 412

RELEXA®

6 1/4" SHOWER ARM

Pure Freude
an Wasser

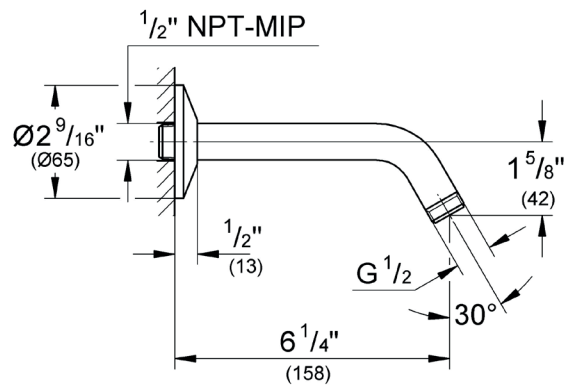


TECHNICAL DATA:

Product Height 3-9/16 in

Product Length 4-15/17 in

Product Width 2-9/16 in



RELEXA
6 5/8" Tubular Shower Arm
MODEL # 27412000

Pure Freude
an Wasser

GROHE



Product Description:

RELEXA

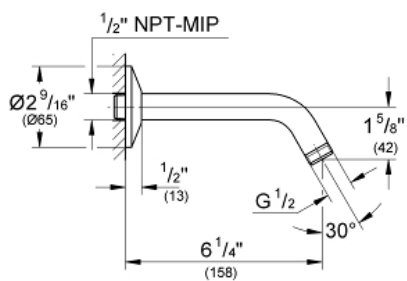
6 5/8" Tubular Shower Arm

Standard Specification:

- GROHE StarLight chrome finish

Color:

- 27412000 StarLight Chrome



26 635

RAINSHOWER™

WALL UNION

Pure Freude
an Wasser



STANDARD SPECIFICATION:

- GROHE StarLight®
- 1/2" NPT threads
- Check valve included to prevent backflow



PRODUCT FEATURES:



CERTIFICATIONS:

- CSA B125.1
- ASME A112.18.1

AVAILABLE FINISHES:

- 26635000**  GROHE StarLight® Chrome
- 266352430**  Matte Black
- 26635A00**  Hard Graphite
- 26635EN0**  Brushed Nickel InfinityFinish™
- 26635GN0**  Brushed Cool Sunrise

NOTE: Install this product according to the installation guide. ADA, CSA compliant when installed to the specific requirements of these regulations.

We reserve the right to make revisions without notice to product specifications. 06-03-2022

US
Tel: 1.630.582.7711 Fax: 1.630.582.7722
For the most current Specification Sheet,
go to www.grohe.us.

Canada
Tel: 1.888.644.7643 Fax: 1.905.366.2071
For the most current Specification Sheet,
go to www.grohe.ca.

PART OF **LIXIL**

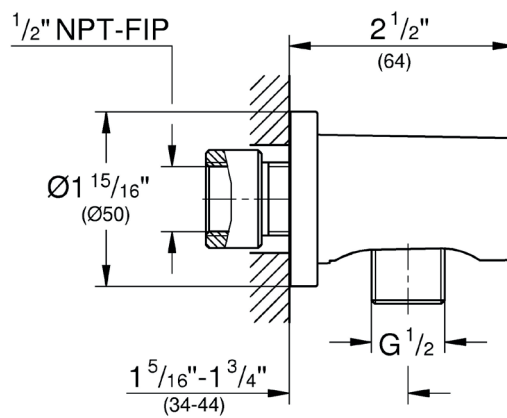
26 635
RAINSHOWER™
WALL UNION

Pure Freude
an Wasser



TECHNICAL DATA:

Product Height	1-15/16 in
Product Length	2-1/2 in
Product Width	1-15/16 in



13 274 CONCETTO™ TUB SPOUT

Pure Freude
an Wasser



STANDARD SPECIFICATION:

- GROHE StarLight®
- 6 11/16" Spout reach
- Wall mount
- 1/2" Inlet



PRODUCT FEATURES:



GROHE StarLight®

CERTIFICATIONS:

- Massachusetts Plumbing Board Approved
- Energy Policy Act of 1992
- CSA B125.1
- ASME A112.18.1

AVAILABLE FINISHES:

- | | | |
|-----------|--|--------------------------------|
| 13274001 | | GROHE StarLight® Chrome |
| 132742431 | | Matte Black |
| 13274A01 | | Hard Graphite |
| 13274EN1 | | Brushed Nickel InfinityFinish™ |
| 13274GN1 | | Brushed Cool Sunrise |

NOTE: Install this product according to the installation guide. ADA, CSA compliant when installed to the specific requirements of these regulations.

We reserve the right to make revisions without notice to product specifications. 06-03-2022

US
Tel: 1.630.582.7711 Fax: 1.630.582.7722
For the most current Specification Sheet,
go to www.grohe.us.

Canada
Tel: 1.888.644.7643 Fax: 1.905.366.2071
For the most current Specification Sheet,
go to www.grohe.ca.

PART OF **LIXIL**

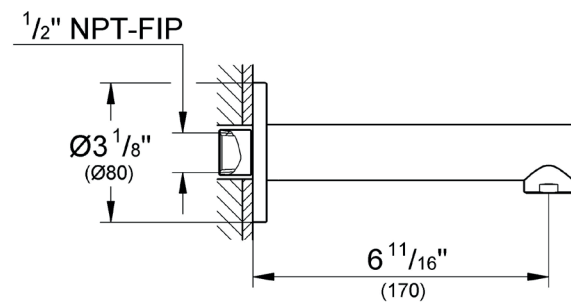
13 274
CONCETTO™
TUB SPOUT

Pure Freude
an Wasser



TECHNICAL DATA:

Product Height	3-1/8 in
Product Width	3-1/8 in
Fitting Spout Reach	6-11/16 in



26 545

RAINSHOWER™ SMARTACTIVE HAND SHOWER - 3 SPRAYS

Pure Freude
an Wasser



STANDARD SPECIFICATION:

- GROHE StarLight®
- GROHE DreamSpray®
- GROHE EcoJoy®
- Speed Clean® anti-lime system
- 5" (130mm) Round face
- 3 Sprays: Rain, Jet, ActiveMassage
- GROHE SmartTip showering spray selection via push of a ring
- Max. flow rate: 1.75gpm (6.6L/min)



PRODUCT FEATURES:

-  GROHE StarLight®
-  GROHE DreamSpray®
-  GROHE EcoJoy™
-  Speed Clean®

CERTIFICATIONS:



- WaterSense
- CEC Certified
- CALGreen Compliant
- Massachusetts Plumbing Board Approved
- Energy Policy Act of 1992
- CSA B125.1
- ASME A112.18.1

AVAILABLE FINISHES:

- 26545000**  GROHE StarLight® Chrome
- 265452430**  Matte Black
- 26545A00**  Hard Graphite
- 26545EN0**  Brushed Nickel InfinityFinish™
- 26545GN0**  Brushed Cool Sunrise

NOTE: Install this product according to the installation guide. ADA, CSA compliant when installed to the specific requirements of these regulations.

We reserve the right to make revisions without notice to product specifications. 06-03-2022

US
Tel: 1.630.582.7711 Fax: 1.630.582.7722
For the most current Specification Sheet,
go to www.grohe.us.

Canada
Tel: 1.888.644.7643 Fax: 1.905.366.2071
For the most current Specification Sheet,
go to www.grohe.ca.

PART OF **LIXIL**

26 545

RAINSHOWER™ SMARTACTIVE

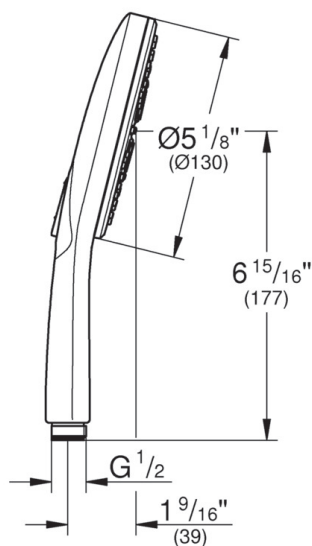
HAND SHOWER - 3 SPRAYS

Pure Freude
an Wasser



TECHNICAL DATA:

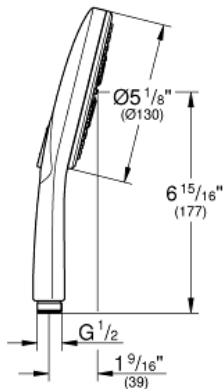
Product Height	9-1/2 in
Product Length	1-13/16 in
Product Width	5-1/8 in
GPM (Min)-GPM (Max)	1.75 gal (US)/min



RAINSHOWER SMARTACTIVE
130
Hand Shower, 3 Sprays
MODEL # 26545000

Pure Freude
an Wasser

GROHE



Product Description:
RAINSHOWER SMARTACTIVE 130
Hand Shower, 3 Sprays

Standard Specification:

- 3 Sprays: Rain, Jet, ActiveRain with Massage
- GROHE EcoJoy 1.75 gpm (6.6 l/min) flow limiter
- GROHE DreamSpray perfect spray pattern
- GROHE SmartTip showering spray selection via push of a ring
- GROHE StarLight chrome finish
- SpeedClean anti-lime system

Applicable Codes & Standards:

- Energy Policy Act of 1992
- ASME A112.18.1/CSA B125.1
- EPA WaterSense®
- CalGreen

Color:

- 26545000 StarLight Chrome

26 602

RAINSHOWER™

24" SHOWER SLIDE BAR

Pure Freude
an Wasser



STANDARD SPECIFICATION:

- GROHE StarLight®
- GROHE QuickFix® Plus adjustable distance between brackets for easy alignment with existing drilling holes
- GROHE TileFix (adjustable depth on upper and lower brackets to accommodate uneven surfaces)
- GROHE EasyReach tray
- Swivel hand shower holder
- Adjustable angle of hand shower
- Adjustable height



PRODUCT FEATURES:

-  GROHE StarLight®
-  GROHE QuickFix®

CERTIFICATIONS:

AVAILABLE FINISHES:

- 26602000**  GROHE StarLight® Chrome
- 266022430**  Matte Black
- 26602A00**  Hard Graphite
- 26602EN0**  Brushed Nickel InfinityFinish™
- 26602GN0**  Brushed Cool Sunrise

NOTE: Install this product according to the installation guide. ADA, CSA compliant when installed to the specific requirements of these regulations.

We reserve the right to make revisions without notice to product specifications. 07-06-2022

US
Tel: 1.630.582.7711 Fax: 1.630.582.7722
For the most current Specification Sheet,
go to www.grohe.us.

Canada
Tel: 1.888.644.7643 Fax: 1.905.366.2071
For the most current Specification Sheet,
go to www.grohe.ca.

PART OF **LIXIL**

26 602

RAINSHOWER™

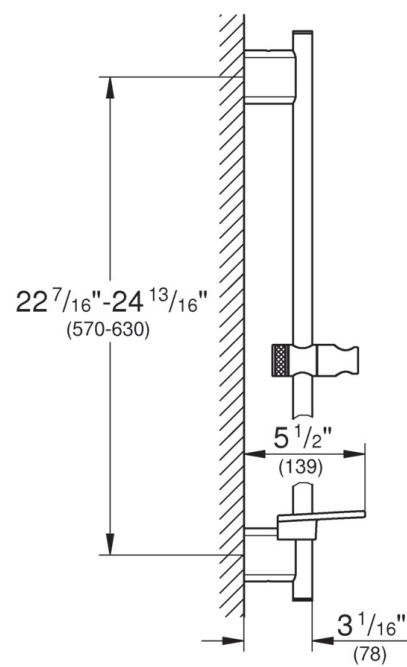
24" SHOWER SLIDE BAR

Pure Freude
an Wasser



TECHNICAL DATA:

Product Height	630 mm
Product Length	140 mm
Product Width	140 mm



26 994

UNIVERSAL

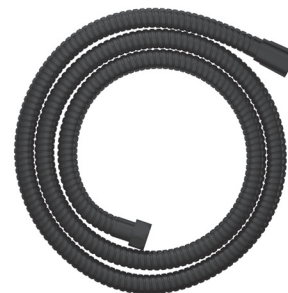
59" METAL TWIST-FREE SHOWER HOSE

Pure Freude
an Wasser



STANDARD SPECIFICATION:

- 59" Long
- Metal hose
- Tensile strength 500 N
- Pressure resistance: up to 14.5psi (16 bar)
- Heat resistance 165°F
- AntiFold bend proof
- 1/2" NPT female threads
- Rotation cone for Twist-free function
- Silicone strip prevents hand shower from turning while in body spray position



PRODUCT FEATURES:

CERTIFICATIONS:



- ADA
- Massachusetts Plumbing Board Approved
- CSA B125.1
- ASME A112.18.1

AVAILABLE FINISHES:

269942430  Matte Black

NOTE: Install this product according to the installation guide. ADA, CSA compliant when installed to the specific requirements of these regulations.

We reserve the right to make revisions without notice to product specifications. 10-05-2022

US
Tel: 1.630.582.7711 Fax: 1.630.582.7722
For the most current Specification Sheet,
go to www.grohe.us.

Canada
Tel: 1.888.644.7643 Fax: 1.905.366.2071
For the most current Specification Sheet,
go to www.grohe.ca.

PART OF **LIXIL**

26 994

UNIVERSAL

59" METAL TWIST-FREE SHOWER HOSE

*Pure Freude
an Wasser*



TECHNICAL DATA:

Product Height	23 mm
Product Length	1,500 mm
Product Width	23 mm

