

▲ Designate finish suffix

BRIZO®

INTEGRATED SHOWER DIVERTER TRIM

- Beauclere™ Bath Collection
- MultiChoice® Valve Trim with Three Function Diverter (T75565)
- MultiChoice® Valve Trim with Six Function Diverter (T75665)

FEATURES:

- TempAssure® thermostatic valve cartridge
- Three or six function diverter

STANDARD SPECIFICATIONS:

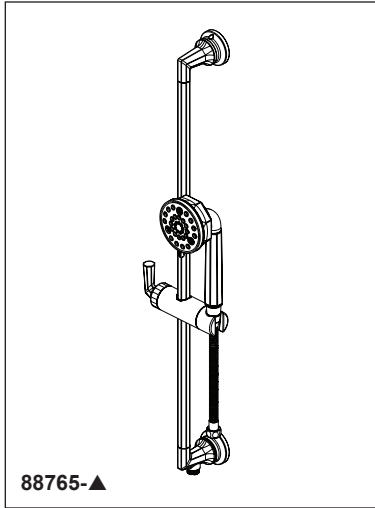
- Main control utilizes thermostatic valve cartridge
- Thermostatic wax element maintains the outlet temperature to $\pm 3.6^\circ$ F
- Back-to-back installation capability
- For use with MultiChoice® Universal Integrated Shower Diverter Rough (R75000 Series)
- Max. system flow rate 7.2 gpm @ 60 psi with R75000
- Top handle controls diverter functions
- Bottom (2) handles control on/off and temperature
- Field adjustable to limit handle rotation into hot water zone
- Bottom handle 90° Maximum rotation
- Hot/cold indicator markings
- Three function diverter (T75565-▲) has 2 individual positions and 1 shared position
- For two individual functions, no shared functions, order additional RP72123
- Six function diverter (T75665-▲) has 3 individual positions and 3 shared positions
- For three individual functions, no shared functions, order additional RP72124
- 1/2" rough-in
- Cartridges included
- Standard installation allows up to 1 1/8" finished wall thickness
- Thick wall installation kit RP90545▲ can be ordered to allow for up to 2 1/8" finished wall thickness

WARRANTY

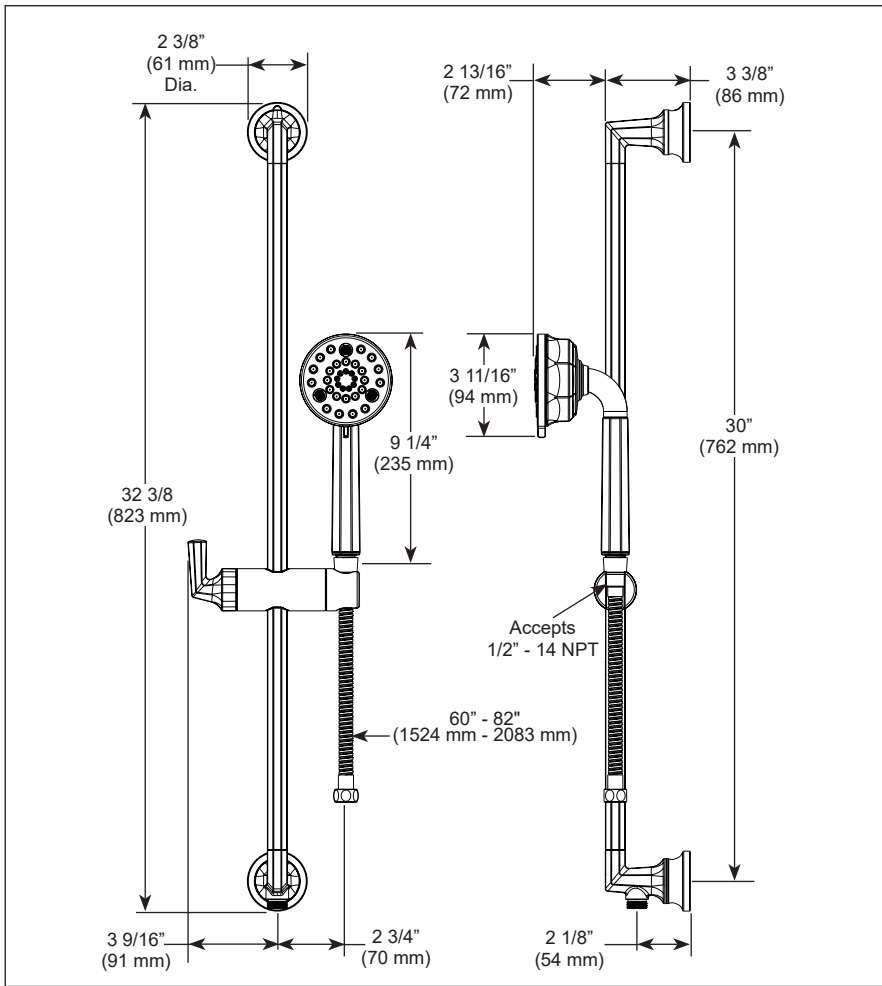
- Parts and Finish - Lifetime limited warranty; or for commercial purchasers, 10 years for multi-family residential (apartments and condominiums) and 5 years for all other commercial uses, in each case from the date the product is received by the original purchaser or their authorized representative (installation contractor, etc.).
- Electronic Parts and Batteries (if applicable) - 5 years from the date the product is received by the original purchaser or their authorized representative (installation contractor, etc.); or for commercial purchasers, 1 year from the date the product is received by the original purchaser or their authorized representative (installation contractor, etc.). No warranty is provided on batteries.
- Please go to www.brizo.com for the complete details of our limited warranty.

COMPLIES WITH:

- ASME A112.18.1 / CSA B125.1
- ICC/ANSI A117.1 - Valve control only



88765-▲



▲ Designate proper finish suffix

BRIZO®

HAND SHOWER W/ SLIDE BAR

■ Beauclere™ Bath Collection

STANDARD SPECIFICATIONS:

- Max flow rate 1.8 gpm @ 80 psi, 6.6 L/min @ 550 kPa
- Wall bar with adjustable slide (allows for adjustable shower height). Not to be used as a grab bar.
- 60" - 82" (1524 mm - 2083 mm) stretchable finished metal hose
- Wall bar includes integrated elbow for hose connection
- Multiple spray settings and pause feature - pause is a non-positive shut-off

WARRANTY

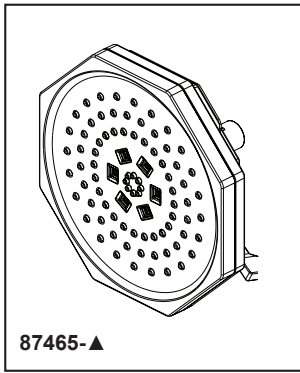
- Parts and Finish - Lifetime limited warranty; or for commercial purchasers, 10 years for multi-family residential (apartments and condominiums) and 5 years for all other commercial uses, in each case from the date the product is received by the original purchaser or their authorized representative (installation contractor, etc.).
- Electronic Parts and Batteries (if applicable) - 5 years from the date the product is received by the original purchaser or their authorized representative (installation contractor, etc.); or for commercial purchasers, 1 year from the date the product is received by the original purchaser or their authorized representative (installation contractor, etc.). No warranty is provided on batteries.
- Please go to www.brizo.com for the complete details of our limited warranty.



COMPLIES WITH:

- ASME A112.18.1 / CSA B125.1 ◆
- ICC/ANSI A117.1
- EPA WaterSense®
- ◆ Your Brizo hand shower incorporates a backflow protection system that has been tested to be in compliance with ASME A112.18.3 and ASME A112.18.1/CSA B125.1. It incorporates two certified check valves in series, which operate independently and are integral, non-serviceable parts of the wand assembly.

Brizo Kitchen & Bath Company reserves the right (1) to make changes in specifications and materials, and (2) to change or discontinue models, both without notice or obligation. Dimensions are for reference only. See current full-line price book or www.brizo.com for finish options and product availability.



BRIZO®

MULTI-FUNCTION SHOWER HEAD

FEATURES:

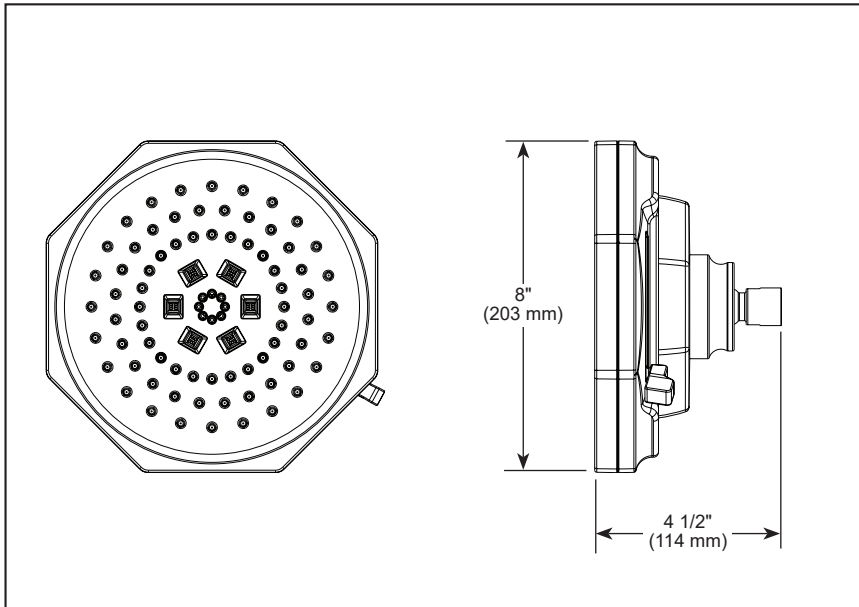
- 4-function shower head featuring H₂Okinetic® Technology

STANDARD SPECIFICATIONS:

- Shower head has 1/2"-14 NPSM female connection
- Max flow rate 1.75 gpm @ 80 psi, 6.6 L/min @ 550 kPa
- Shower head with four settings - Full Spray, Massage, H₂Okinetic®, and Pause, a non-positive shut-off
- Wrench flats for tightening
- Shower head ball nut pivots, rotates and provides extra thread coverage
- Lever function control

WARRANTY

- Parts and Finish - Lifetime limited warranty; or for commercial purchasers, 10 years for multi-family residential (apartments and condominiums) and 5 years for all other commercial uses, in each case from the date the product is received by the original purchaser or their authorized representative (installation contractor, etc.).
- Electronic Parts and Batteries (if applicable) - 5 years from the date the product is received by the original purchaser or their authorized representative (installation contractor, etc.); or for commercial purchasers, 1 year from the date the product is received by the original purchaser or their authorized representative (installation contractor, etc.). No warranty is provided on batteries.
- Please go to www.brizo.com for the complete details of our limited warranty.

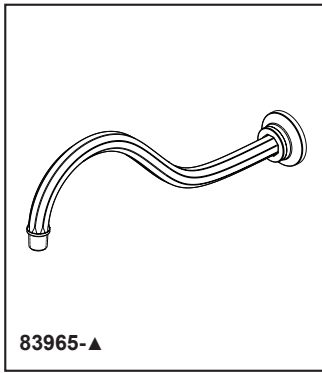


▲ Designate finish suffix



COMPLIES WITH:

- ASME A112.18.1 / CSA B125.1
- EPA WaterSense®



BRIZO®

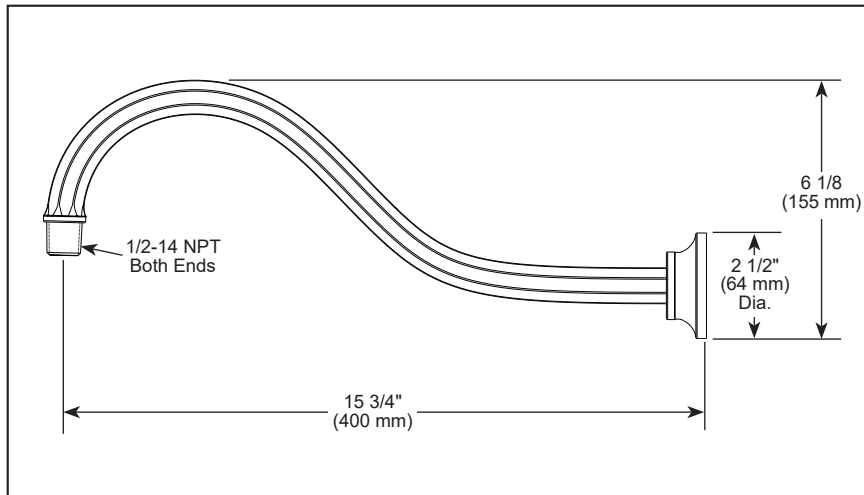
SHOWER ARM AND FLANGE

STANDARD SPECIFICATIONS:

- 1/2" NPT threads
- Solid brass construction

WARRANTY

- Parts and Finish - Lifetime limited warranty; or for commercial purchasers, 10 years for multi-family residential (apartments and condominiums) and 5 years for all other commercial uses, in each case from the date the product is received by the original purchaser or their authorized representative (installation contractor, etc.).
- Electronic Parts and Batteries (if applicable) - 5 years from the date the product is received by the original purchaser or their authorized representative (installation contractor, etc.); or for commercial purchasers, 1 year from the date the product is received by the original purchaser or their authorized representative (installation contractor, etc.). No warranty is provided on batteries.
- Please go to www.brizo.com for the complete details of our limited warranty.



▲ Designate proper finish suffix

COMPLIES WITH:

- ASME A112.18.1 / CSA B125.1