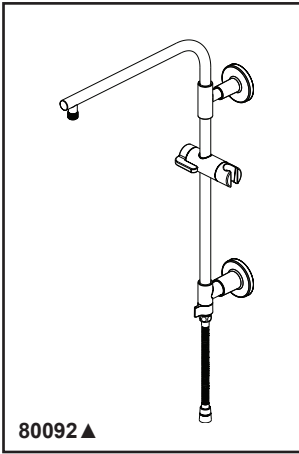


# BRIZO®

## SHOWER COLUMN

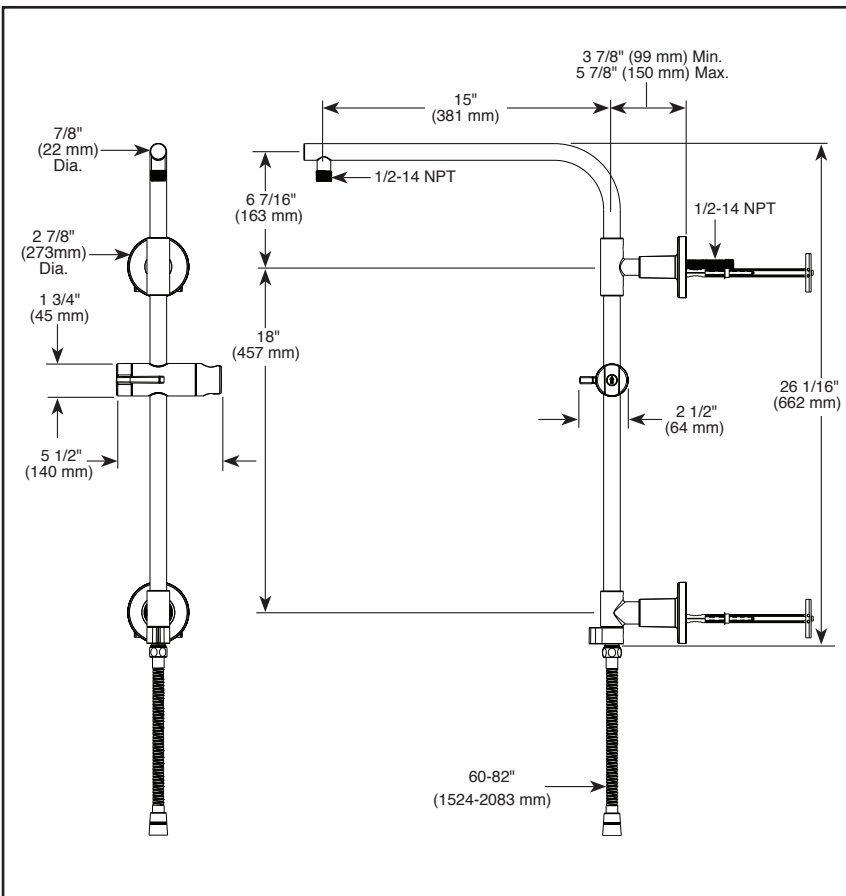
■ Less Handshower and Showerhead



80092 ▲

Submitted Model No.: \_\_\_\_\_

Specific Features: \_\_\_\_\_



▲ Designate proper finish suffix

### STANDARD SPECIFICATIONS

- 18" Euro Round Shower Column. All metal construction.
- 15" overhead shower arm
- 6 7/16" of height above water inlet
- Optional RP100924 ▲ provides 6" of additional overhead shower arm height
- 60" - 82" stretchable metal hose
- Integrated hose supply, no need for separate wall elbow
- Sliding metal handshower mount easily adjusts the height and angle of the handshower
- 3-function diverter at the base of the column allows for single or shared operation of the showerhead and handshower
- Showerhead and handshower sold separately to allow for customization
- If needed, column can retrofit into an existing shower arm without requiring modification to the in-wall plumbing
- Shower column should not be used as a grab bar
- Extension Kit & Lower Flow Rate Options:
  - Optional RP100922 extension kit extends rough installation up to 1".
  - Optional RP101264 limits flow of single and shared operation to 1.75 gpm @ 80 psi, 6.6 L/min @ 550 kPa
  - Optional RP101265 extension kit extends rough installation up to 1" AND limits flow of single and shared operation to 1.75 gpm @ 80 psi, 6.6 L/min @ 550 kPa

### WARRANTY

- Parts and Finish - Lifetime limited warranty; or for commercial purchasers, 10 years for multi-family residential (apartments and condominiums) and 5 years for all other commercial uses, in each case from the date of purchase.
- Electronic Parts and Batteries (if applicable) - 5 years from the date of purchase; or for commercial purchasers, 1 year from the date of purchase. No warranty is provided on batteries.

### COMPLIES WITH:

- ASME A112.18.1 / CSA B125.1

### Extension Kit & Lower Flow Rate Options:

- RP100922 - 1" extension kit
- RP101264 - Limits flow to 1.75 gpm
- RP101265 - 1" extension kit & limits flow to 1.75 gpm



### 6" Shower Column Extension Option: RP100924 ▲



Brizo Kitchen & Bath Company reserves the right (1) to make changes in specifications and materials, and (2) to change or discontinue models, both without notice or obligation. Dimensions are for reference only. See current full-line price book or [www.brizo.com](http://www.brizo.com) for finish options and product availability.

BSP-B-80092 Rev. A

**Brizo Kitchen & Bath Company**  
55 E. 111th Street, Indianapolis, IN 46280  
350 South Edgeware Road, St. Thomas, ON N5P 4L1  
© 2019 Brizo Kitchen & Bath Company

# BRIZO®

## RAINCAN SHOWERHEAD

### ■ Single-Function Round Raincan Showerhead

#### FEATURES:

- Touch-Clean® Nozzles

#### STANDARD SPECIFICATIONS:

- Maximum 1.75 gpm @ 80 psi, 6.6 L/min @ 550 kPa (81392▲)
- Maximum 2.5 gpm @ 80 psi, 9.5 L/min @ 550 kPa (81392▲-2.5)
- Standard 1/2" pipe fittings. Wrench flats for tightening.
- Solid fabricated brass showerhead
- Showerhead is intended for overhead raincan orientation. Ball connector rotates and pivots.
- Finished spray face

#### WARRANTY

- Parts and Finish – Lifetime limited warranty; or for commercial purchasers, 10 years for multi-family residential (apartments and condominiums) and 5 years for all other commercial uses, in each case from the date of purchase.
- Electronic Parts and Batteries (if applicable) – 5 years from the date of purchase; or for commercial purchasers, 1 year from the date of purchase. No warranty is provided on batteries.



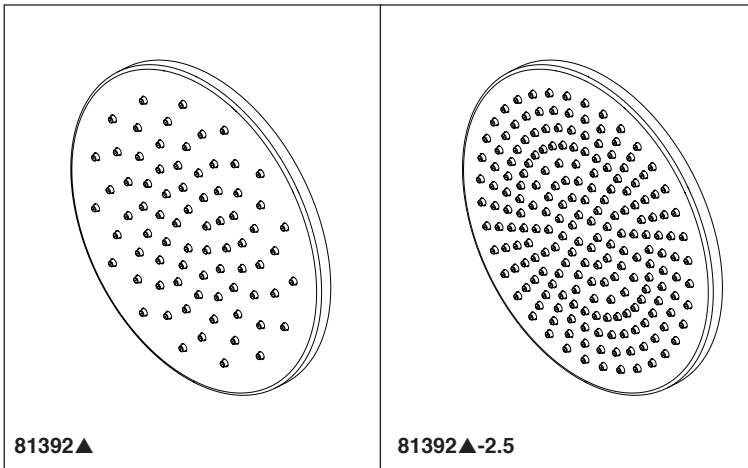
#### COMPLIES WITH:

- ASME A1 12.18.1 / CSA B125.1
- EPA WaterSense® - Applies to 81392▲ only

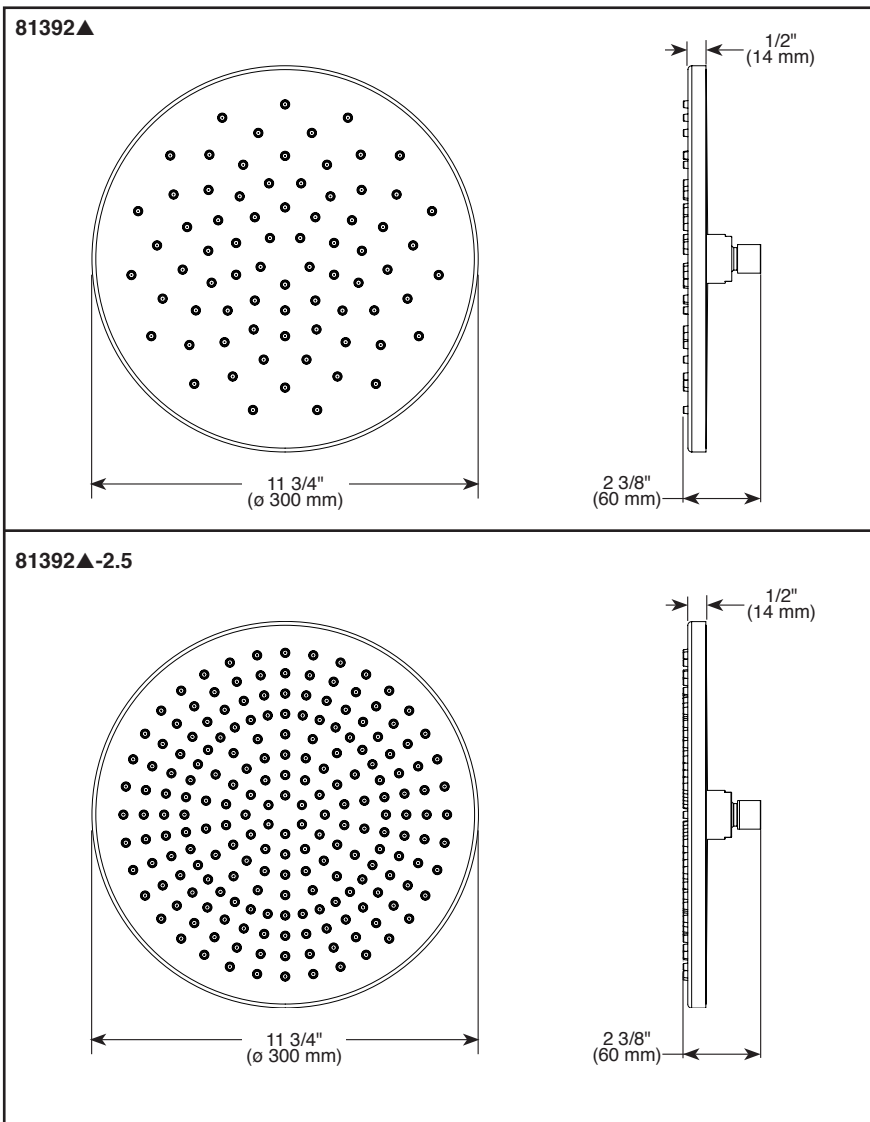
#### Spray Pattern



Soft Rain  
Spray



Submitted Model No.: \_\_\_\_\_  
Specific Features: \_\_\_\_\_



▲ Designate proper finish suffix

Brizo Kitchen & Bath Company reserves the right (1) to make changes in specifications and materials, and (2) to change or discontinue models, both without notice or obligation. Dimensions are for reference only. See current full-line price book or [www.brizo.com](http://www.brizo.com) for finish options and product availability.

BSP-B-81392 Rev. A

**Brizo Kitchen & Bath Company**

55 E. 111th Street, Indianapolis, Indiana 46280  
350 South Edgeware Road, St. Thomas, ON N5P 4L1  
© 2019 Brizo Kitchen & Bath Company

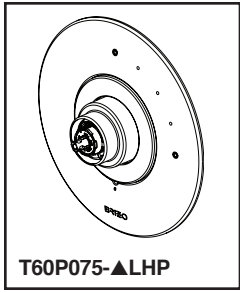




**SKU: RP73147**

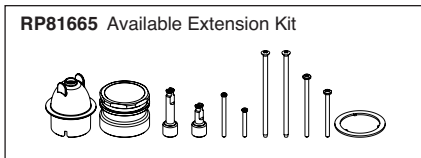
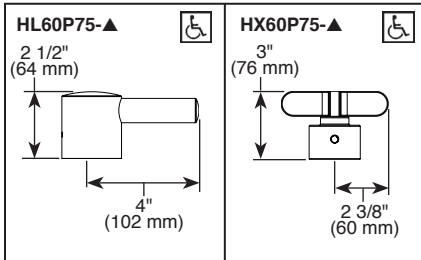
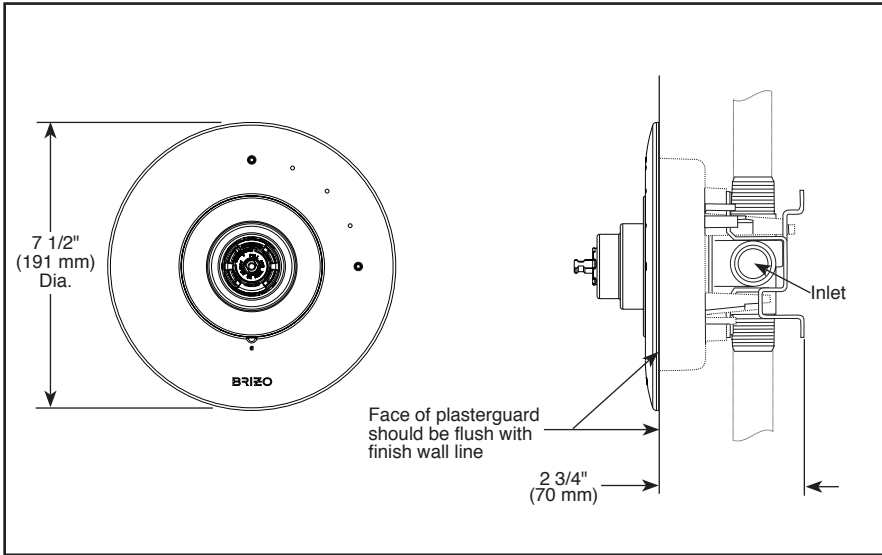
Brizo

Specifications Currently Unavailable



Submitted Model No.: \_\_\_\_\_

Specific Features: \_\_\_\_\_



▲ Designate proper finish suffix

# BRIZO®

## PRESSURE BALANCE VALVE TRIM

- Odin™ Collection
- Valve Only (T60P075-LHP)

### FEATURES:

- Monitor® 14 Series pressure balanced bath mixing valve

### STANDARD SPECIFICATIONS

- Maintains a balanced pressure of hot and cold water even when a valve is turned on or off elsewhere in the system
- For use with MultiChoice® Universal rough valve body (R60000 Series)
- Back-to-back installation capability
- Solid brass fabricated body
- Temperature only controlled with handle
- Red/Blue temperature indicator
- Field adjustable to limit handle rotation into hot water zone
- 120° maximum handle rotation
- All parts replaceable from the front of the valve
- Optional extension kit (RP81665) extends rough installation up to 1 3/4".

### WARRANTY

- Parts and Finish - Lifetime limited warranty; or for commercial purchasers, 10 years for multi-family residential (apartments and condominiums) and 5 years for all other commercial uses, in each case from the date of purchase.
- Electronic Parts and Batteries (if applicable) - 5 years from the date of purchase; or for commercial purchasers, 1 year from the date of purchase. No warranty is provided on batteries.

### COMPLIES WITH:

- ASME A112.18.1 / CSA B125.1
- ASSE 1016

 Indicates compliance to ICC/ANSI A117.1



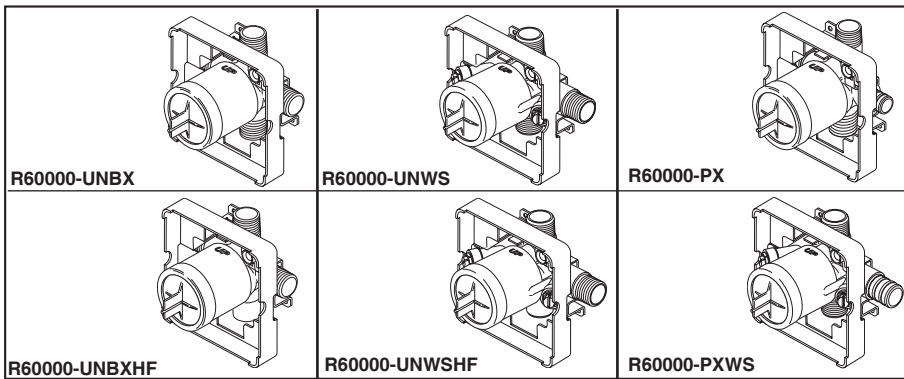
**SKU: HX60P75**

Brizo

Specifications Currently Unavailable

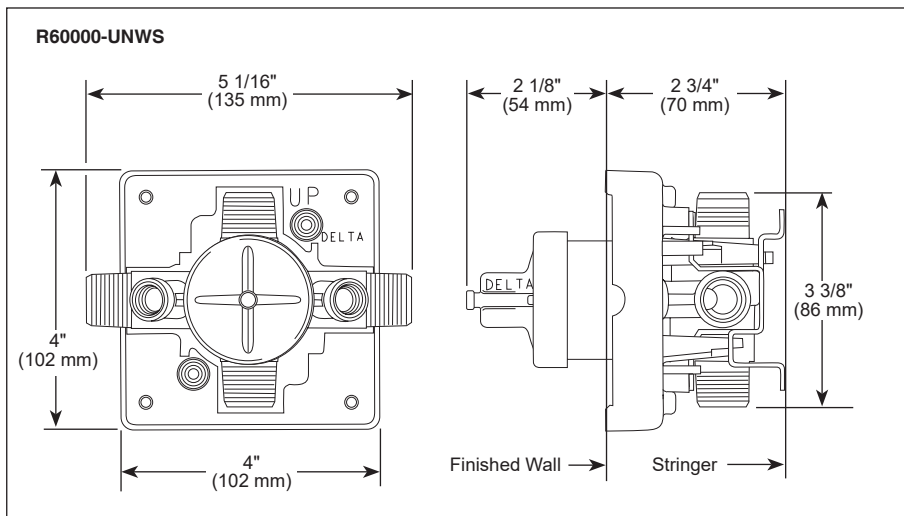
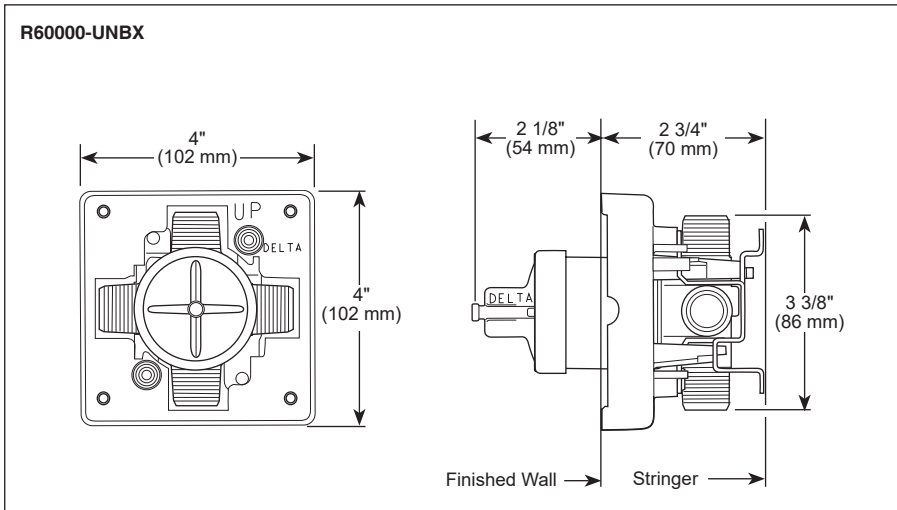
# BRIZO®

## MULTIChoice® UNIVERSAL ROUGH VALVE BODY



Submitted Model No.: \_\_\_\_\_

Specific Features: \_\_\_\_\_



**Extension kits available**  
Visit our website at [www.brizo.com](http://www.brizo.com) for specification sheet for trim model to identify appropriate RP.

- R60000-UNBX (Universal Single Box Model)
- R60000-UNBXHF (High Flow Shower Only)
- R60000-UNWS (Universal with Stops)
- R60000-UNWSHF (High Flow with Stops Shower Only)
- R60000-PX (Pex Crimp Inlets with UN Outlets)
- R60000-PXWS (Pex Crimp Inlets with Stops And UN Outlets)

### STANDARD SPECIFICATIONS:

- Forged brass body.
- Back-to-Back installation capabilities.
- Can be tested with air (200 PSI) or water (300 PSI) without valve using supplied test cap.
- Square plasterguard allows for right angle cuts.
- Thin wall mounting.
- For use with MultiChoice® Universal single or dual function trim. Cartridge ships with trim.
- 1/2" outlets and connections.

Note: No tub outlet in HF model.

Note: Should use proper fitting with each type (copper tubing, iron pipe, and pex fitting).

Note: Should use proper tooling with crimping pex fitting.

Note: UN indicates Universal type fitting and is 1/2" NPT male thread with 1/2" C.W.T. female sweat.

### WARRANTY

- Lifetime limited warranty on parts (other than electronic parts and batteries) and finishes: or, for commercial users, for 5 years from date of purchase.
- 5 year limited warranty on electronic parts (other than batteries); or, for commercial users, for 1 year from the date of purchase. No warranty is provided on batteries.

### COMPLIES WITH:

- ASME A112.18.1 / CSA B125.1

Brizo Kitchen & Bath Company reserves the right (1) to make changes in specifications and materials, and (2) to change or discontinue models, both without notice or obligation. Dimensions are for reference only. See current full-line price book or [www.brizo.com](http://www.brizo.com) for finish options and product availability.