

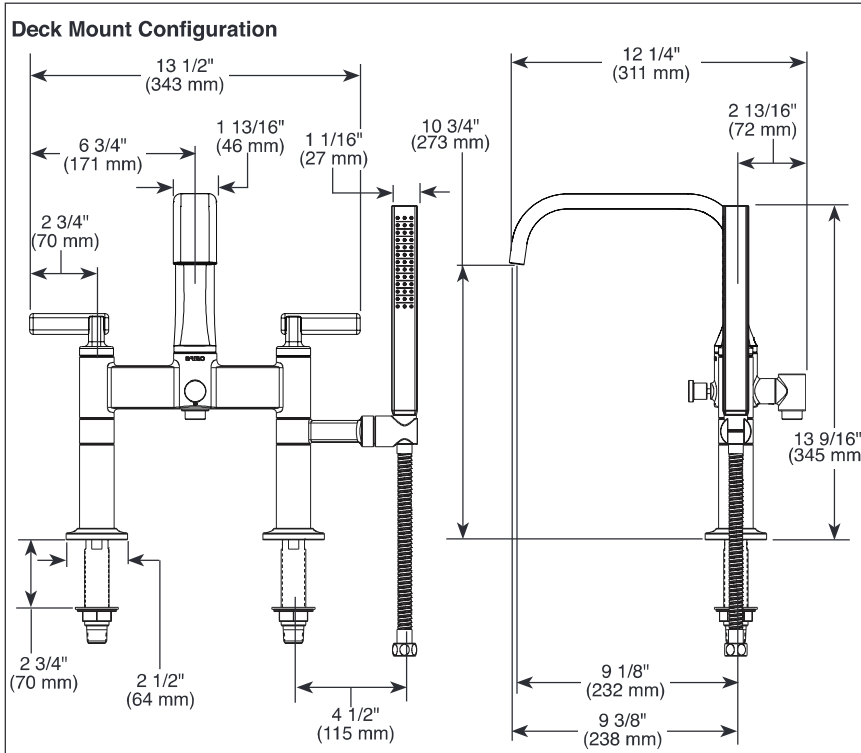
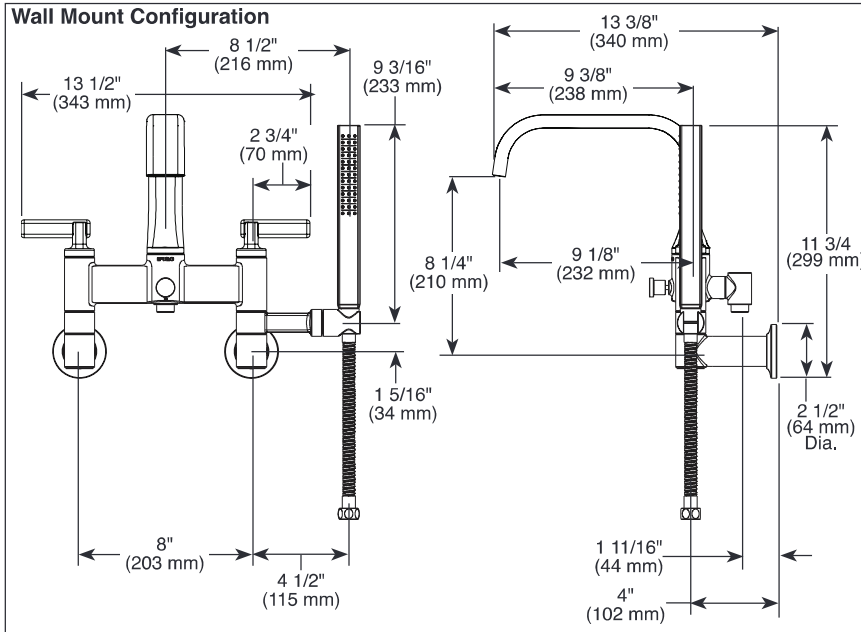
# BRIZO®

## TWO HANDLE WALL, DECK, AND FLOOR MOUNT TUB FILLER

- Allaria™ Bath Collection
- Wall, Deck or Floor Mount

Submitted Model No.: \_\_\_\_\_

Specific Features: \_\_\_\_\_



▲ Designate Proper Finish Suffix

Brizo Kitchen & Bath Company reserves the right (1) to make changes in specifications and materials, and (2) to change or discontinue models, both without notice or obligation. Dimensions are for reference only. See current full-line price book or [www.brizo.com](http://www.brizo.com) for finish options and product availability.

BSP-B-T70368 Rev. A

**STANDARD SPECIFICATIONS:**

- Solid brass construction
- Indexing handshower holder with full rotation
- 60"-82" stretchable finished metal hose
- High flow ceramic control valves
- Available in solid metal or metal with acrylic lever handles (90° max. rotation)
- Certified dual check valves in handshower, 1.75 gpm @ 80 psi, 6.6 L/min @ 550 kPa
- Spout flow up to 11 gpm @ 60 psi, 45.4 L/min @ 410 kPa
- Auto resetting diverter
- Dual column design on 8" center-to-center
- Drain not included
- Insulated floor risers available to control surface condensation and heat
- Requires mounting hardware:
  - T71764▲ wall mount unions
  - T71765▲ deck mount risers
  - T71766▲ floor mount risers
- Floor mount configuration requires rough-in to complete installation:
  - R70200-WS with integrated stops
  - R70200 without stops, provides maximum flow
- Optional accessory kit 695506

**WARRANTY**

- Parts and Finish - Lifetime limited warranty; or for commercial purchasers, 10 years for multi-family residential (apartments and condominiums) and 5 years for all other commercial uses, in each case from the date of purchase.
- Electronic Parts and Batteries (if applicable) - 5 years from the date of purchase; or for commercial purchasers, 1 year from the date of purchase. No warranty is provided on batteries.

**⚠ WARNING: Risk of personal injury.** Do not use the tub filler as a grab bar or support bar. Install this product according to the installation guide.



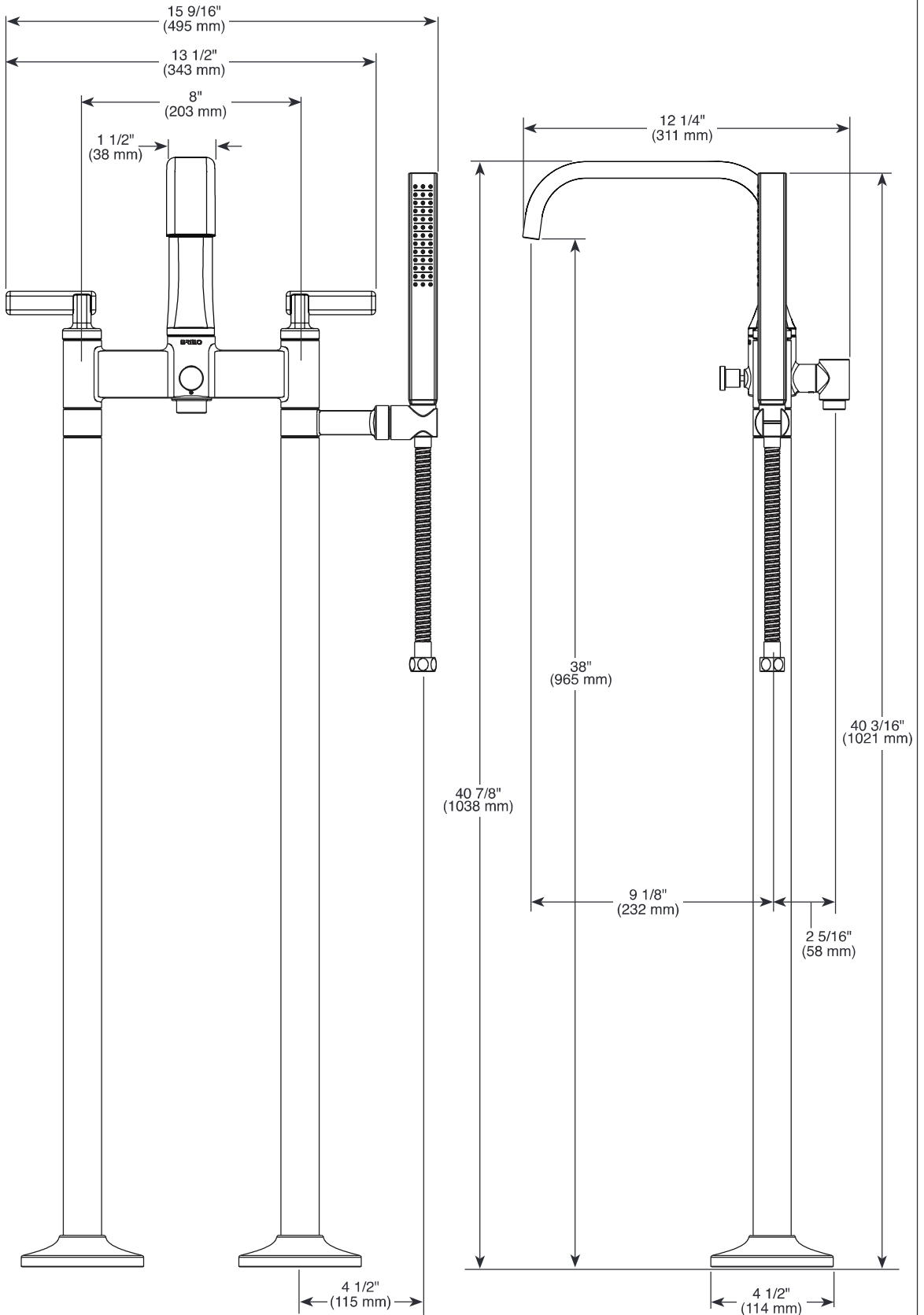
**COMPLIES WITH:**

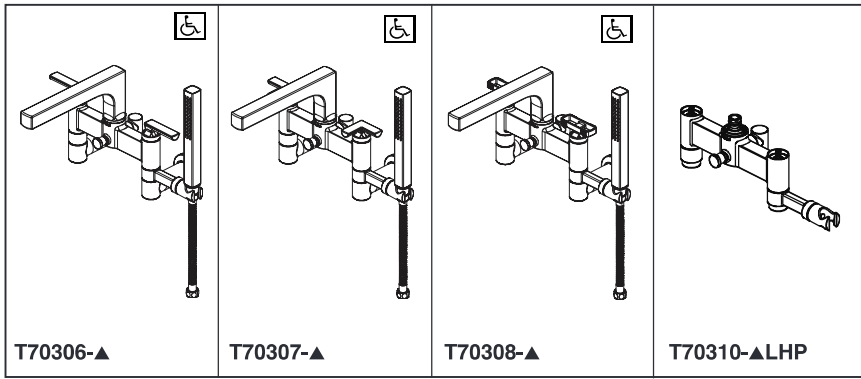
- ASME A112.18.1 / CSA B125.1
- Indicates compliance to ICC/ANSI A117.1 - Valve control only
- EPA WaterSense - Applies to T70368▲ only

**Brizo Kitchen & Bath Company**

55 E. 111th Street, Indianapolis, Indiana 46280  
 350 South Edgeware Road, St. Thomas, ON N5P 4L1  
 © 2021 Brizo Kitchen & Bath Company

**Floor Mount Configuration**





# BRIZO®

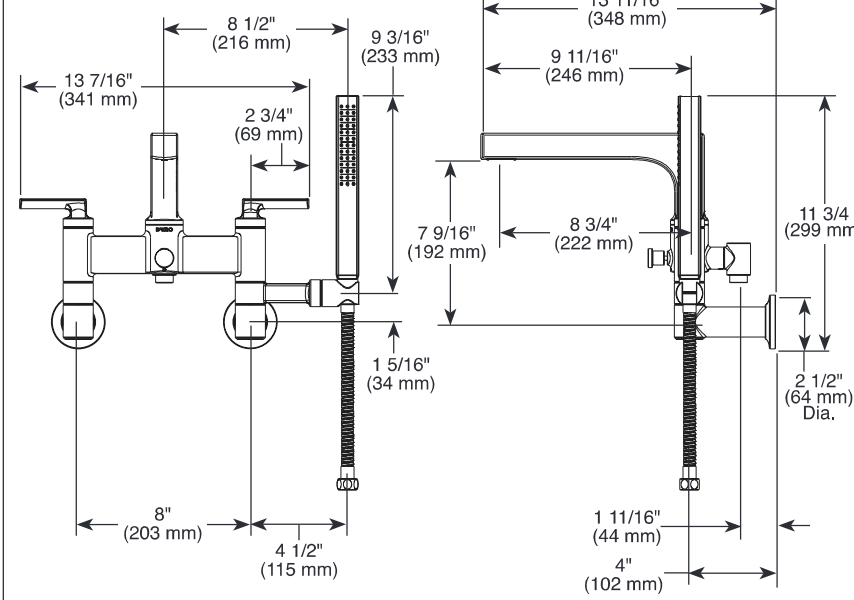
## TWO HANDLE WALL, DECK, AND FLOOR MOUNT TUB FILLER

- Kintsu™ Collection
- Wall, Deck or Floor Mount

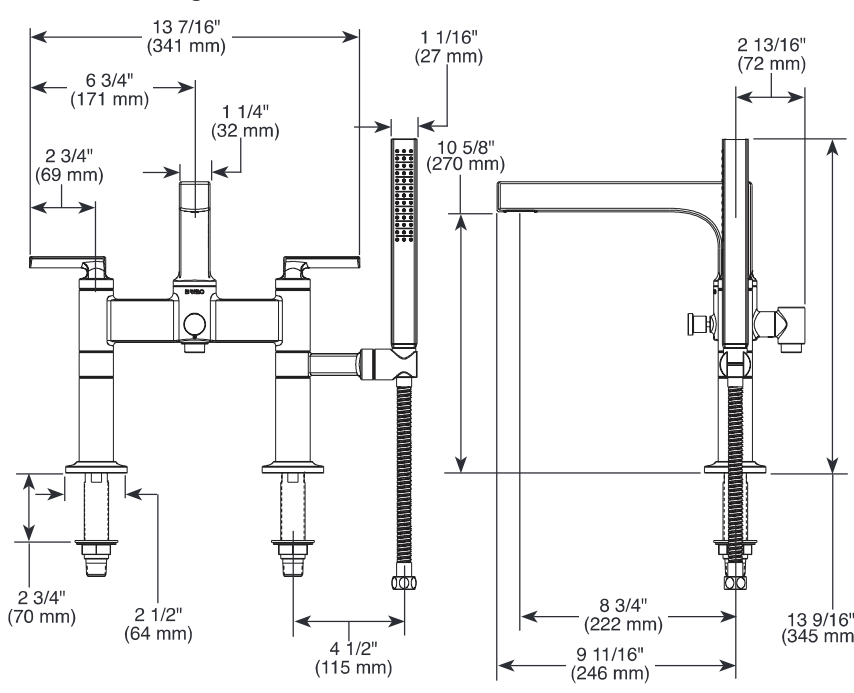
Submitted Model No.: \_\_\_\_\_

Specific Features: \_\_\_\_\_

### Wall Mount Configuration



### Deck Mount Configuration



### STANDARD SPECIFICATIONS:

- Solid brass construction
- Indexing handshower holder with full rotation
- 60"-82" stretchable finished metal hose
- High flow ceramic control valves
- Available in lever, knob and cross handles
- Certified dual check valves in handshower, 1.75 gpm @ 80 psi, 6.6 L/min @ 550 kPa
- Spout flow up to 10 gpm @ 60 psi, 37.8 L/min @ 410 kPa
- Auto resetting diverter
- Dual column design on 8" center-to-center
- Drain not included
- Insulated floor risers to control surface condensation and heat
- Requires mounting hardware:
  - T71764▲ wall mount unions
  - T71765▲ deck mount risers
  - T71766▲ floor mount risers
- Floor mount configuration requires rough-in to complete installation:
  - R70200-WS with integrated stops
  - R70200 without stops, provides maximum flow
- Optional accessory kit 695506

### WARRANTY

- Parts and Finish - Lifetime limited warranty; or for commercial purchasers, 10 years for multi-family residential (apartments and condominiums) and 5 years for all other commercial uses, in each case from the date of purchase.
- Electronic Parts and Batteries (if applicable) - 5 years from the date of purchase; or for commercial purchasers, 1 year from the date of purchase. No warranty is provided on batteries.

**WARNING: Risk of personal injury.** Do not use the tub filler as a grab bar or support bar. Install this product according to the installation guide.



### COMPLIES WITH:

- ASME A112.18.1 / CSA B125.1
- ♿ Indicates compliance to ICC/ANSI A117.1 - Valve control only
- EPA WaterSense - Applies to T70306▲, T70307▲, and T70308▲ only

▲ Designate Proper Finish Suffix

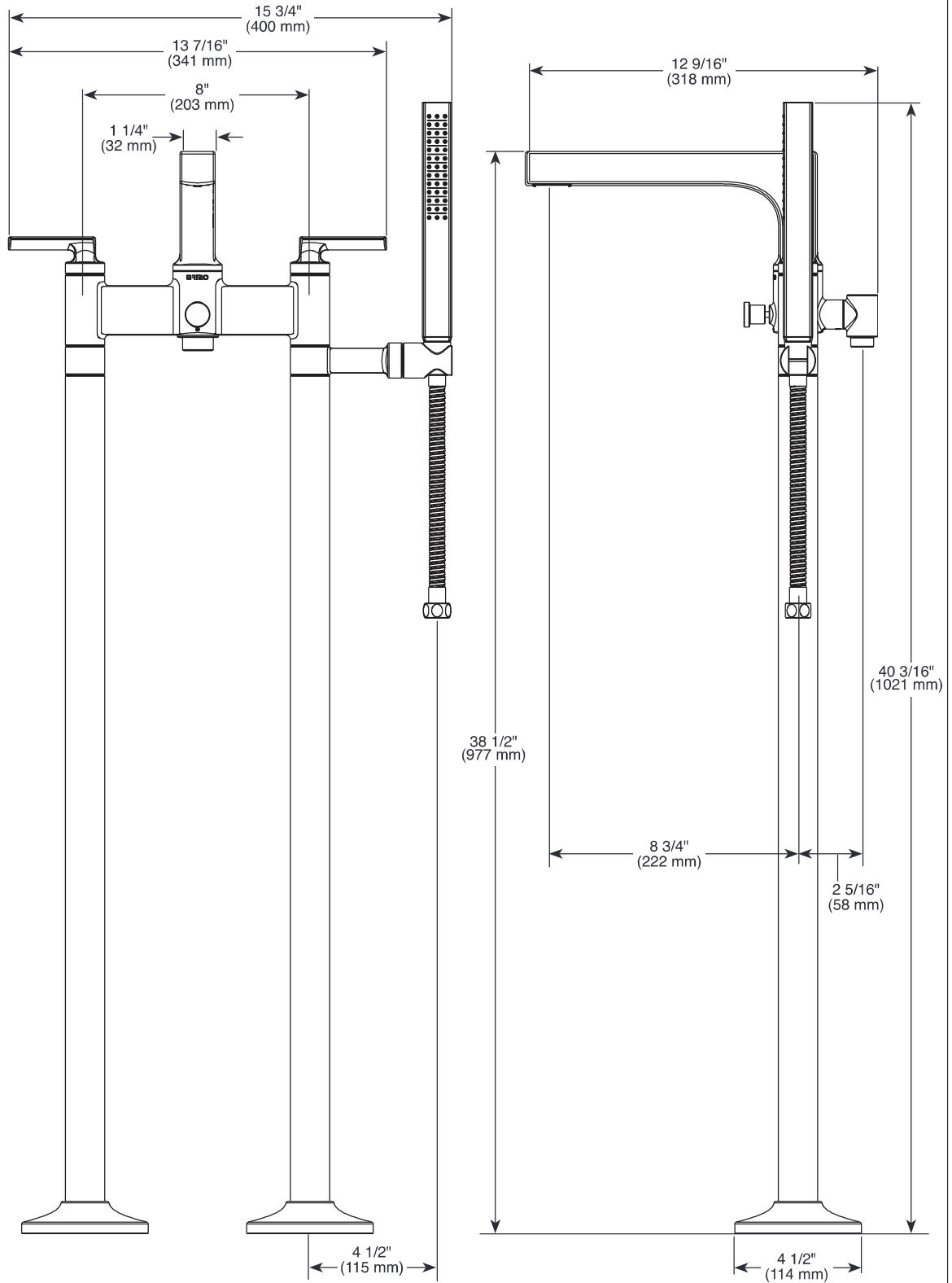
Brizo Kitchen & Bath Company reserves the right (1) to make changes in specifications and materials, and (2) to change or discontinue models, both without notice or obligation. Dimensions are for reference only. See current full-line price book or [www.brizo.com](http://www.brizo.com) for finish options and product availability.

BSP-B-T70306 Rev. B

### Brizo Kitchen & Bath Company

55 E. 111th Street, Indianapolis, Indiana 46280  
350 South Edgeware Road, St. Thomas, ON N5P 4L1  
© 2020 Brizo Kitchen & Bath Company

**Floor Mount Configuration**

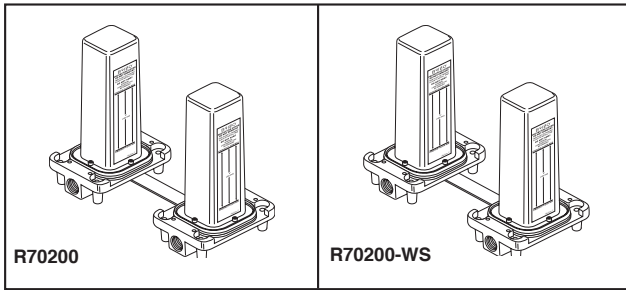




**SKU: T71766**

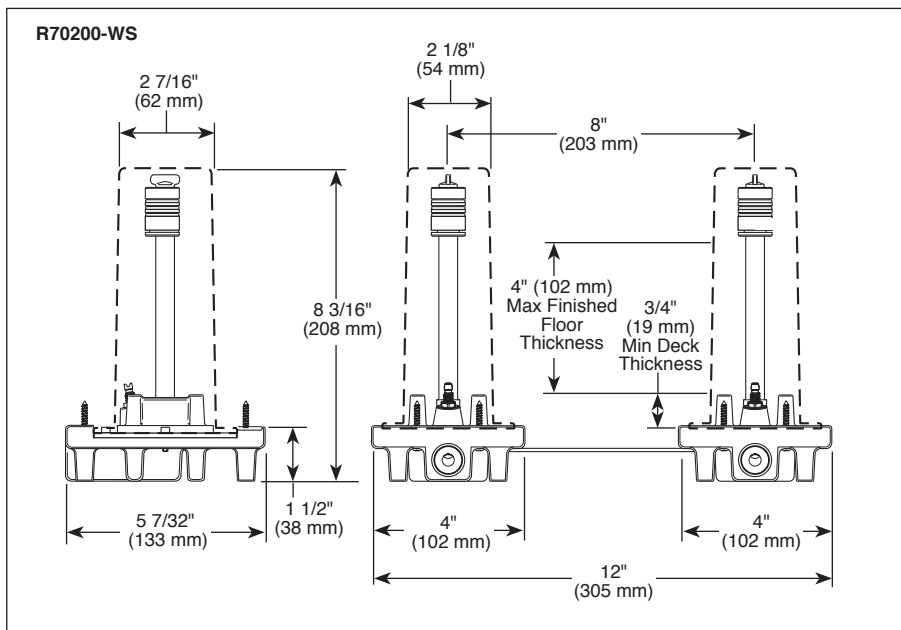
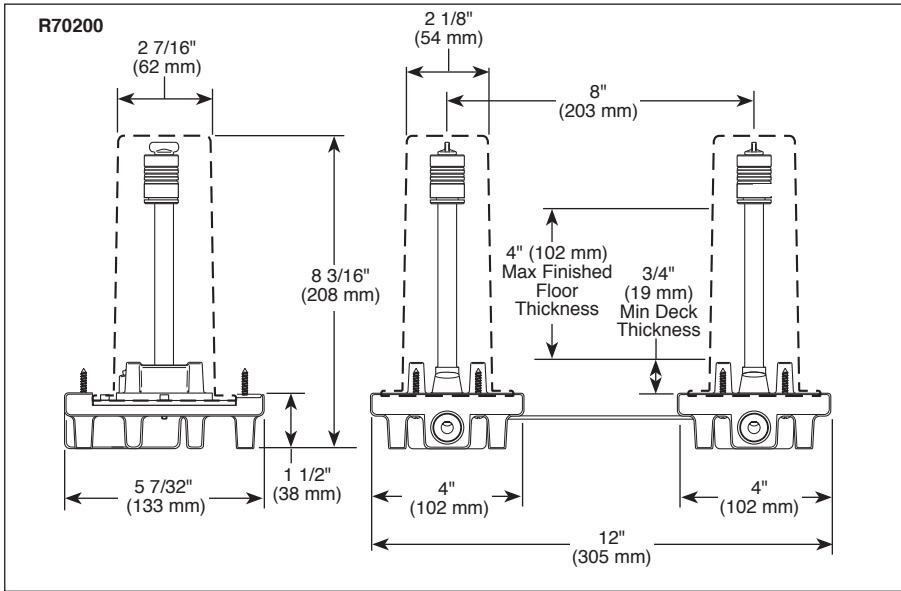
Brizo

Specifications Currently Unavailable



Submitted Model No.: \_\_\_\_\_

Specific Features: \_\_\_\_\_



# BRIZO®

## TWO HOLE FREESTANDING FLOOR MOUNTED TUB FILLER ROUGH-IN

- R70200
- R70200-WS (With Stops)

### STANDARD SPECIFICATIONS:

- 1/2" NPT female inlets.
- Forged brass body.
- Available with integrated stops (R70200-WS).
- Innovative mounting system (patent pending) provides for simple stable installation.
- Spacing plate pre-assembled to ensure 8" spread.
- Accommodates finished floor thickness up to 4".
- Vertical spout height remains constant to finished floor.
- Pre-assembled test caps allow air or water pressure testing without trim.
- Pre-assembled protective plastersguards with information label indicating finished floor location.
- Pre-assembled gaskets to isolate living space.
- Rigid galvanized installation template included (not shown).
- Refer to product installation instructions.
- Trim sold separately.

### WARRANTY

- Lifetime limited warranty on parts (other than electronic parts and batteries) and finishes: or, for commercial users, for 5 years from date of purchase.
- 5 year limited warranty on electronic parts (other than batteries); or, for commercial users, for 1 year from the date of purchase. No warranty is provided on batteries.

### COMPLIES WITH:

- ASME A112.18.1 / CSA B125.1