

**CL.1 Lavatory spout, wall-mounted without drain - Chrome**

CL.1

13 800 705



- 7-7/8" Projection
- Rigid spout
- Rectangular aerator with 40 individual streams
- 1-1/2" hole diameter
- lead-free
- 1/2" connection
- Plug-in connection mounting
- Water flow rate limited to max. 1.2 gpm
- This product can help a building meet the requirements of Green Building Rating Systems, e.g. LEED®, BREEAM®, DGNB

	Chrome	13 800 705-00
	Brushed Platinum	13 800 705-06
	Dark Brass matte	13 800 705-16
	Dark Bronze matte	13 800 705-17
	Dark Chrome	13 800 705-19
	Brushed Champagne (22kt Gold)	13 800 705-46
	Champagne (22kt Gold)	13 800 705-47
	Brushed Dark Platinum	13 800 705-99

**Required article**

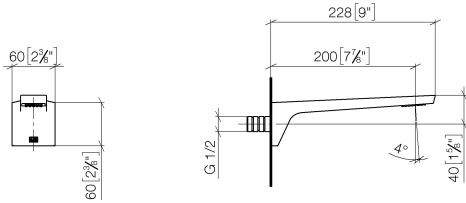
**Rough-in adapter -**

35 080 970-90  
0010

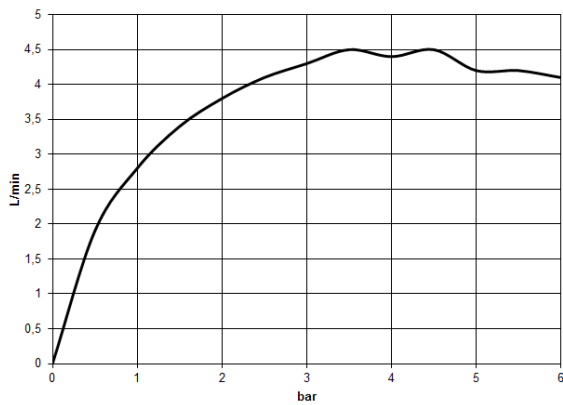


13 800 705

mm [inches]



Flow rate chart



Codes & Standards

ASME  
A112.18.1/CSA  
B125.1

California Energy  
Commission  
(CEC)

NSF/ANSI 372

NSF/ANSI/CAN  
61

Water Sense





CL.1 Lavatory spout, wall-mounted without drain - Chrome

CL.1

13 800 705

Certificates

IAPMO\_N-4

IAPMO\_8834

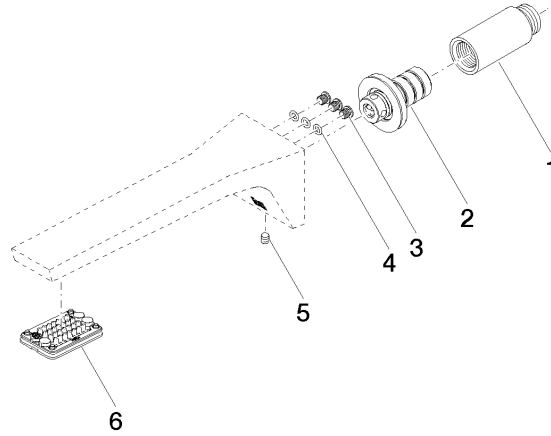
LGA\_28

IAPMO\_6

WRAS\_1512

IAPMO\_4976

13 800 705



### Spare parts list

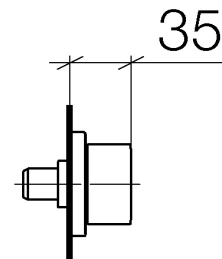
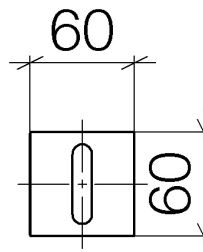
Number	Item Number	Designation	Number of units	Lead time
1	09 24 03 081 10 90	Extension 1/2" x 50 mm -	1	2
2	90 24 03 108 01 90	Nipple Ø 40 x 50 mm, 1.2 gpm -	1	2
3	09 30 30 113 20 90	Mounting bracket Ø 8 x 6,5 mm -	3	2
4	09 14 10 001 90	O-Ring EPDM 70 4,5 x 1,5 mm -	3	2
5	90 31 11 004 00 90	Mounting bracket -	1	2
6	90 11 02 297 00 90	Aerator 33 x 33 x 80 mm -	1	2



**Product specifications**

**Exposed trim parts only, rough to be ordered separately**

- Flange 2 3/8 x 2 3/8"  
[ADA]



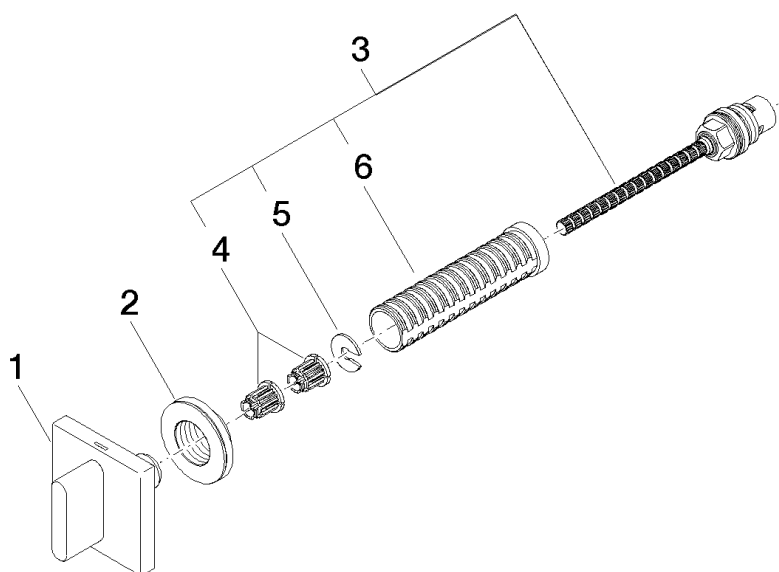
**Surfaces**

- chrome 36310706-00
- matt platinum 36310706-06

**Accessories required**

- Rough for wall-mounted volume control – 1/2" clockwise closing; 35621970

**Exploded assembly drawing**





**Order quantity**

<b>No.</b>	<b>Article number</b>	<b>Name</b>	<b>Installation quantity</b>
1	90207005102ff	handle	1
2	09210210890	disc	1
3	0490031430090	top	1
4	09121200290	fixing cap	2
5	09160102690	ring	1
6	09184007790	sleeve	1

**SKU: 36607707**

Dornbracht

Specifications Currently Unavailable