

BRIZO®

PRESSURE BALANCE VALVE TRIM

- Invari™ Bath Collection
- Valve Only (T60P076)

STANDARD SPECIFICATIONS:

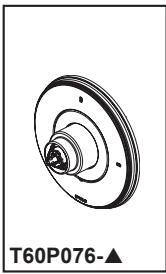
- Maintains a balanced pressure of hot and cold water even when a valve is turned on or off elsewhere in the system
- For use with MultiChoice® Universal rough valve body (R60000 Series)
- Max system flow rate 6.3 gpm at 60 psi with R60000-UNBXHF
- Back-to-back installation capability
- Solid brass fabricated body
- Temperature only controlled with handle
- Red/Blue temperature indicator markings
- Field adjustable to limit handle rotation into hot water zone
- 120° maximum handle rotation
- All parts replaceable from the front of the valve
- Adjusts for up to 1" wall thickness. Optional extension kit (RP81665) extends rough installation up to 1 3/4"

WARRANTY

- Lifetime limited warranty on parts (other than electronic parts and batteries) and finishes: or, for commercial users, for 5 years from date of purchase.
- 5 year limited warranty on electronic parts (other than batteries); or, for commercial users, for 1 year from the date of purchase. No warranty is provided on batteries.

COMPLIES WITH:

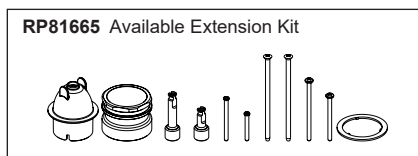
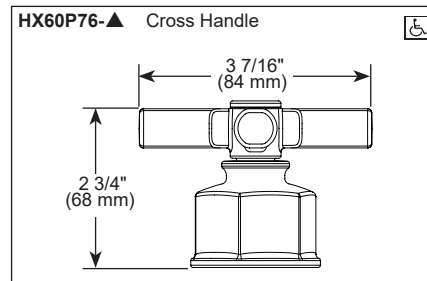
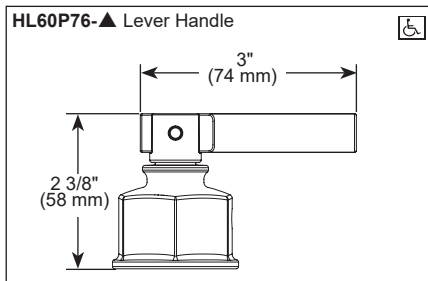
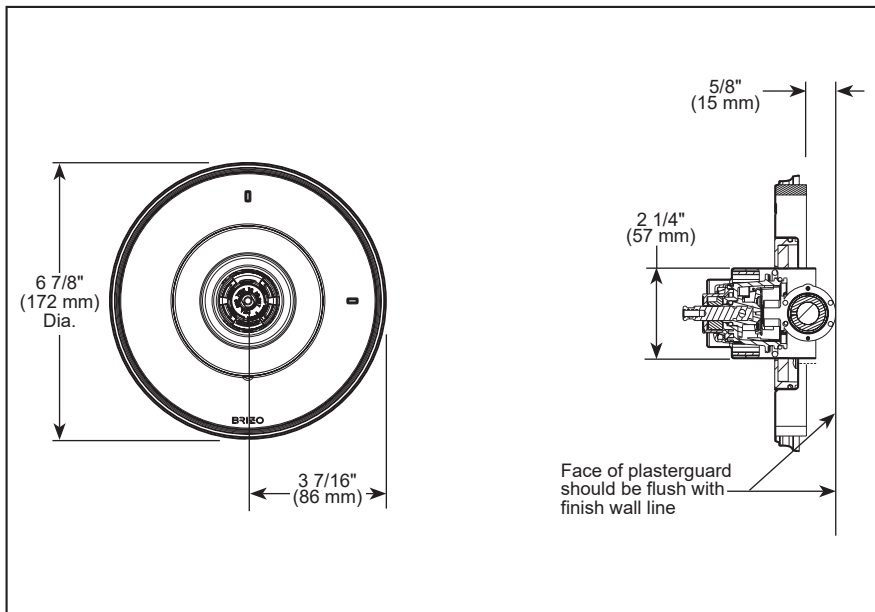
- ASME A112.18.1 / CSA B125.1
- ASSE 1016
- ☒ Indicates compliance to ICC/ANSI A117.1



T60P076-▲

Submitted Model No.: _____

Specific Features: _____



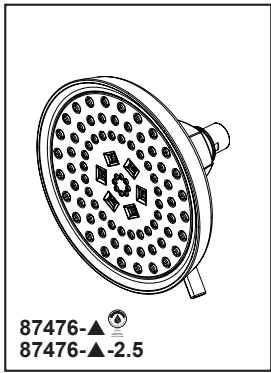
▲ Designate proper finish suffix



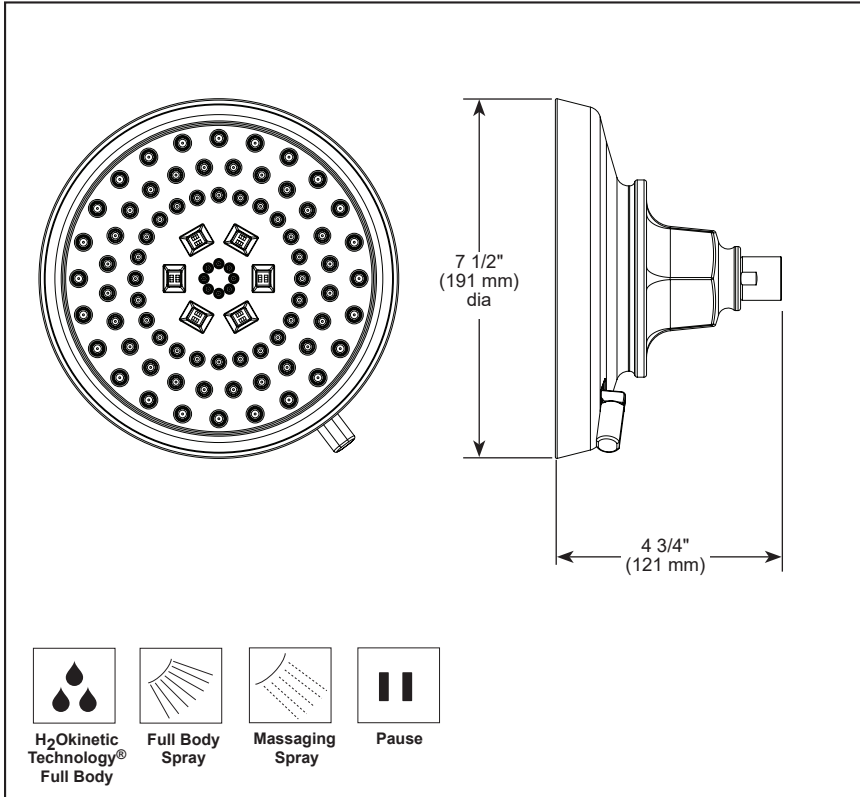
SKU: HX60P76

Brizo

Specifications Currently Unavailable



Submitted Model No.: _____
 Specific Features: _____



▲ Designate finish suffix

BRIZO®

MULTI-FUNCTION SHOWERHEAD

- Invari™ Bath Collection
- 4-Function Showerhead Featuring H₂Okinetic Technology®

FEATURES:

- Touch-Clean® Nozzles
- H₂Okinetic® Technology

STANDARD SPECIFICATIONS:

- Showerhead has 1/2"-14 NPSM female connection
- Maximum 1.75 gpm @ 80 psi, 6.6 L/min @ 550 kPa
- Maximum 2.5 gpm @ 80 psi, 9.5 L/min @ 550 kPa
- Showerhead with four settings - pause is a non-positive shut-off
- Wrench flats for tightening
- Showerhead ball nut pivots, rotates and provides extra thread coverage
- Metal lever for easy spray selection control
- Finished spray face

WARRANTY

- Parts and Finish – Lifetime limited warranty; or for commercial purchasers, 10 years for multi-family residential (apartments and condominiums) and 5 years for all other commercial uses, in each case from the date of purchase.
- Electronic Parts and Batteries (if applicable) – 5 years from the date of purchase; or for commercial purchasers, 1 year from the date of purchase. No warranty is provided on batteries.

COMPLIES WITH:

- ASME A112.18.1 / CSA B125.1
- EPA WaterSense® (1.75 gpm only)

BRIZO®

JOINTED SHOWER ARM AND FLANGE

■ Litze™ Bath Collection

STANDARD SPECIFICATIONS:

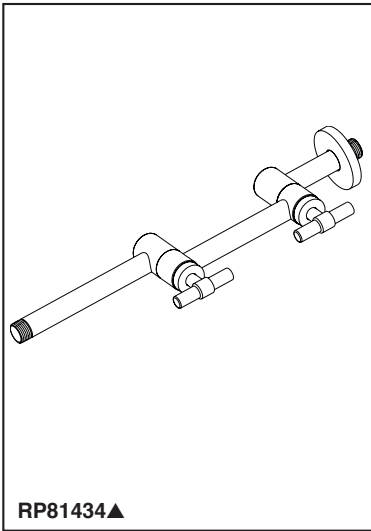
- Threaded nipples, joint and flange are of solid metal construction
- Adjustable flange is held in place on showerarm by rubber friction ring
- Two joints allow adjustment of showerhead position and angle
- Shower arm can be installed with either end mounted to the wall

WARRANTY

- Lifetime limited warranty on parts (other than electronic parts and batteries) and finishes: or, for commercial users, for 5 years from date of purchase.
- 5 year limited warranty on electronic parts (other than batteries); or, for commercial users, for 1 year from the date of purchase. No warranty is provided on batteries.

COMPLIES WITH:

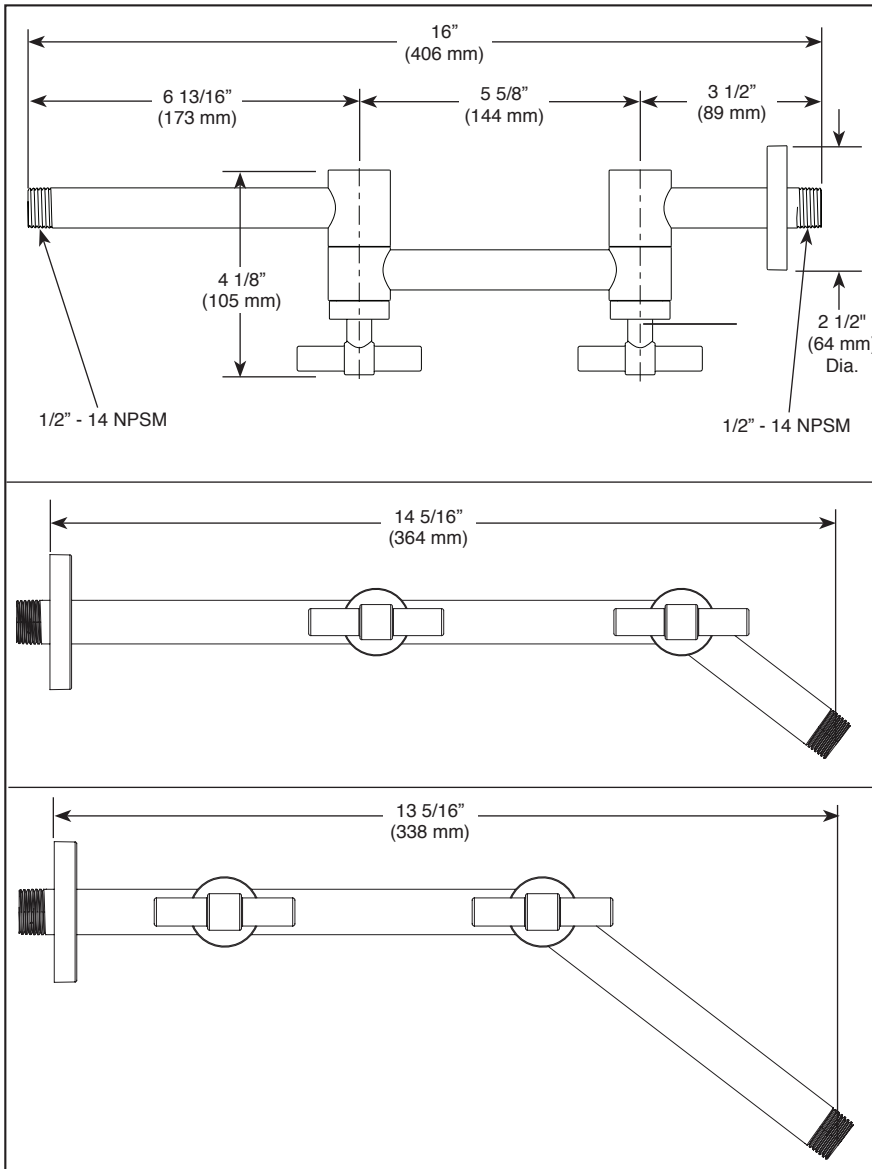
- ASME A112.18.1 / CSA B125.1



RP81434▲

Submitted Model No.: _____

Specific Features: _____



▲ Designate finish suffix

Brizo Kitchen & Bath Company reserves the right (1) to make changes in specifications and materials, and (2) to change or discontinue models, both without notice or obligation. Dimensions are for reference only. See current full-line price book or www.brizo.com for finish options and product availability.

BSP-B-RP81434 Rev. B

Brizo Kitchen & Bath Company
 Indianapolis, Indiana 46280
 A Division of Masco Corporation of Indiana
 © 2016 Brizo Kitchen & Bath Company