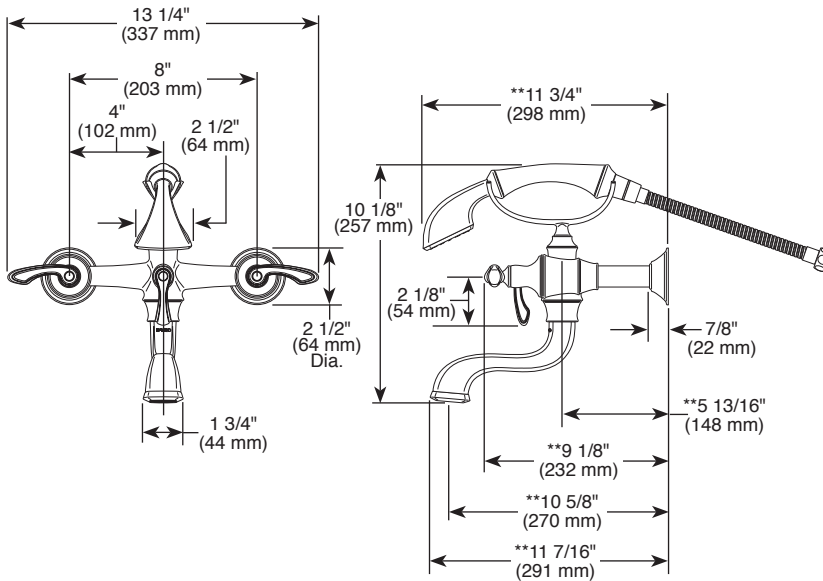


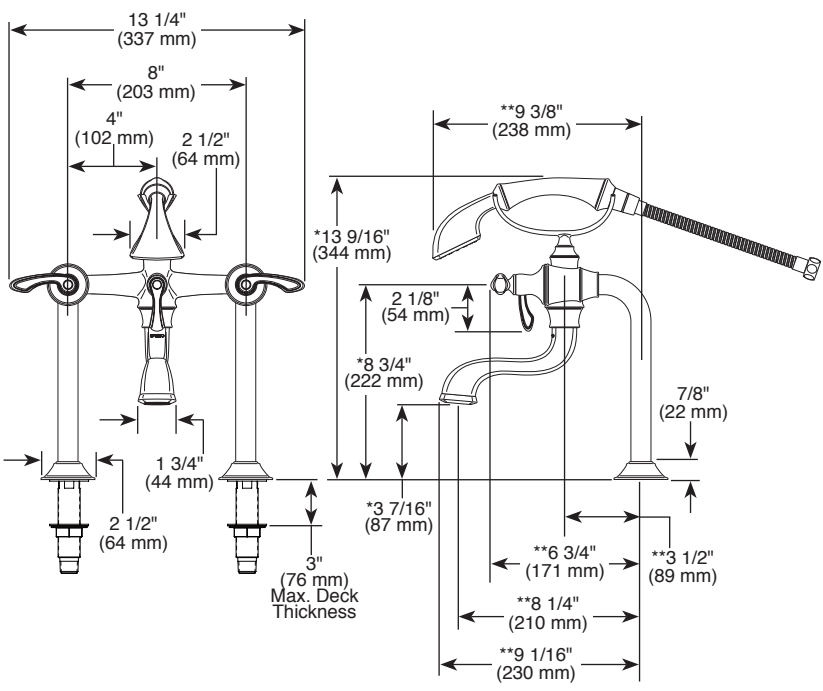
Submitted Model No.: \_\_\_\_\_

Specific Features: \_\_\_\_\_

**Wall Mount Configuration**



**Deck Mount Configuration**



▲ Designate Proper Finish Suffix

Brizo Kitchen & Bath Company reserves the right (1) to make changes in specifications and materials, and (2) to change or discontinue models, both without notice or obligation. Dimensions are for reference only. See current full-line price book or www.brizo.com for finish options and product availability.

BSP-B-T70385 Rev. F

# BRIZO®

## TWO HANDLE WALL, DECK, AND FLOOR MOUNT TUB FILLER

- Charlotte® Collection
- Wall, Deck or Floor Mount

**STANDARD SPECIFICATIONS:**

- Solid brass construction
- Rotating handshower cradle rotates 90° in either direction
- Insulated floor and deck risers to control surface condensation and heat
- 60"-82" stretchable finished metal hose
- High flow ceramic control valves
- Twin lever handles
- Certified dual check valves in handshower, 1.75 gpm @ 80 psi, 6.60 L/min @ 550 kPa
- Bi-directional diverter
- Dual column design, 8" center-to-center
- Drain not included
- Requires mounting hardware:
  - RP73764▲ wall mount unions
  - RP73765▲ deck mount risers
  - RP73766▲ floor mount risers
- Floor mount configuration requires rough-in to complete installation:
  - R70200-WS with integrated stops
  - R70200 without stops, provides maximum flow
- \*Optional riser extension set (RP73767▲) provides 2" of additional spout height for deck or floor mount configurations
- \*\*Optional spout reach extension set (RP80157▲) provides 2" of additional spout reach for wall, deck, and floor mount configuration

**WARRANTY**

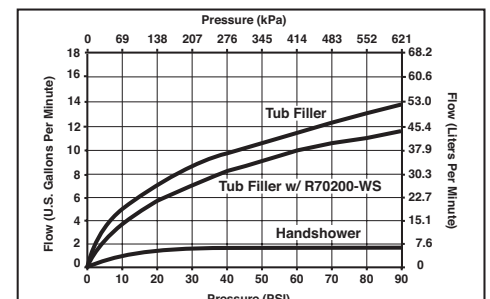
- Lifetime limited warranty on parts (other than electronic parts and batteries) and finishes: or, for commercial users, for 5 years from date of purchase.

**⚠ WARNING: Risk of personal injury.** Do not use the tub filler as a grab bar or support bar. Install this product according to the installation guide.



**COMPLIES WITH:**

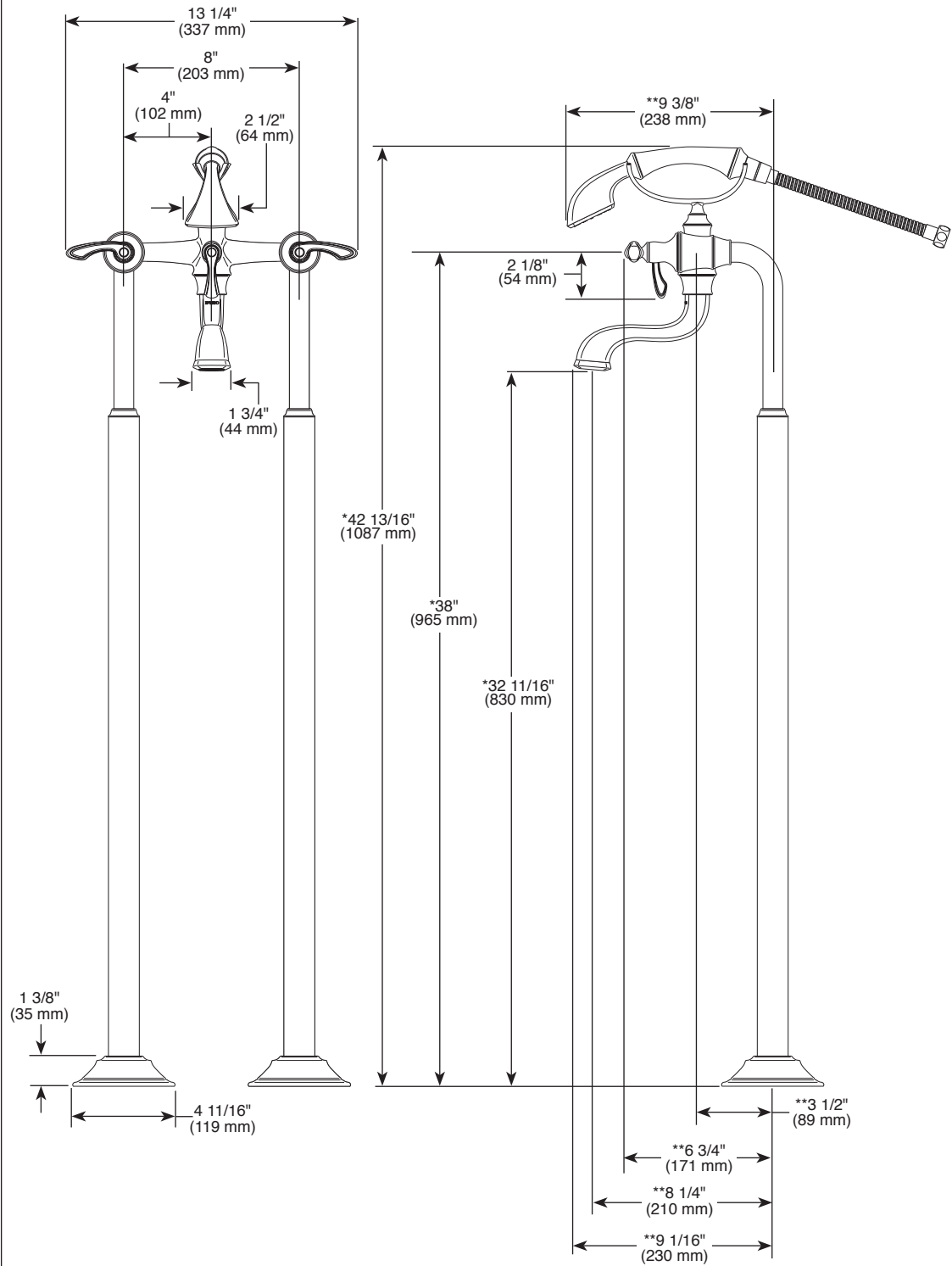
- ASME A112.18.1 / CSA B125.1
- ICC/ANSI A117.1 - Valve control only
- EPA WaterSense - Applies to handshower only - RP70609\*

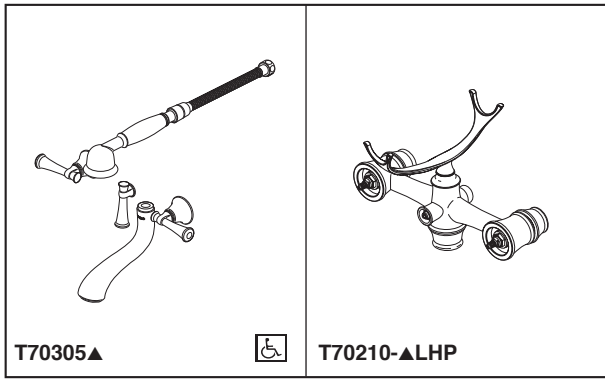


**Brizo Kitchen & Bath Company**

55 E. 111th Street, Indianapolis, Indiana 46280  
 350 South Edgeware Road, St. Thomas, ON N5P 4L1  
 © 2017 Brizo Kitchen & Bath Company

### Floor Mount Configuration

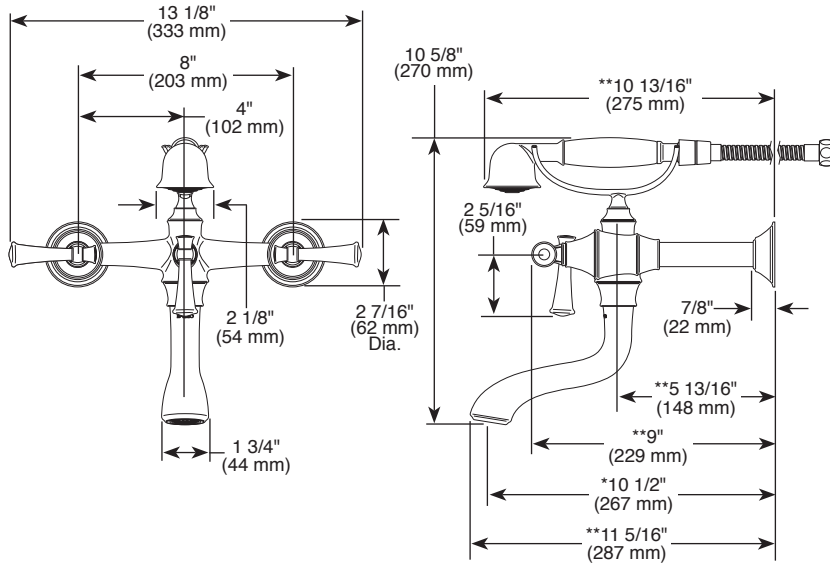




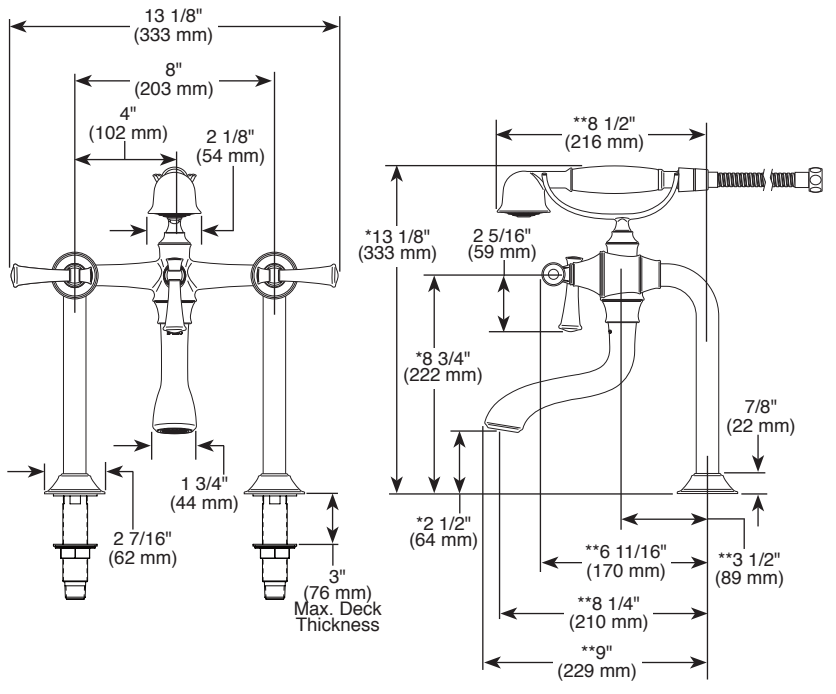
Submitted Model No.: \_\_\_\_\_

Specific Features: \_\_\_\_\_

**Wall Mount Configuration**



**Deck Mount Configuration**



▲ Designate Proper Finish Suffix

Brizo Kitchen & Bath Company reserves the right (1) to make changes in specifications and materials, and (2) to change or discontinue models, both without notice or obligation. Dimensions are for reference only. See current full-line price book or www.brizo.com for finish options and product availability.

BSP-B-T70305 Rev. E

# BRIZO®

## TWO HANDLE WALL, DECK, AND FLOOR MOUNT TUB FILLER

- Baliza® Collection
- Wall, Deck or Floor Mount

**STANDARD SPECIFICATIONS:**

- Solid brass construction
- Rotating handshower cradle rotates 90° in either direction
- Insulated floor and deck risers to control surface condensation and heat
- 60"-82" stretchable finished metal hose
- High flow ceramic control valves
- Twin lever handles
- Certified dual check valves in handshower; 1.75 gpm @ 80 psi, 6.6 L/min @ 550 kPa
- Bi-directional diverter
- Dual column design, 8" center-to-center
- Drain not included
- Requires mounting hardware:
  - RP73764▲ wall mount unions
  - RP73765▲ deck mount risers
  - RP73766▲ floor mount risers
- Floor mount configuration requires rough-in to complete installation:
  - R70200-WS with integrated stops
  - R70200 without stops, provides maximum flow
- \*Optional riser extension set (RP73767▲) provides 2" of additional spout height for deck and floor mount configuration
- \*\*Optional spout reach extension set (RP80157▲) provides 2" of additional spout reach for wall, deck, and floor mount configuration

**WARRANTY**

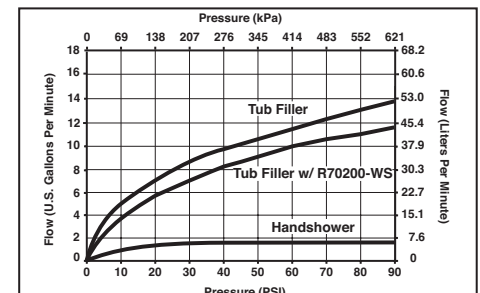
- Lifetime limited warranty on parts (other than electronic parts and batteries) and finishes: or, for commercial users, for 5 years from date of purchase.

**⚠ WARNING: Risk of personal injury.** Do not use the tub filler as a grab bar or support bar. Install this product according to the installation guide.



**COMPLIES WITH:**

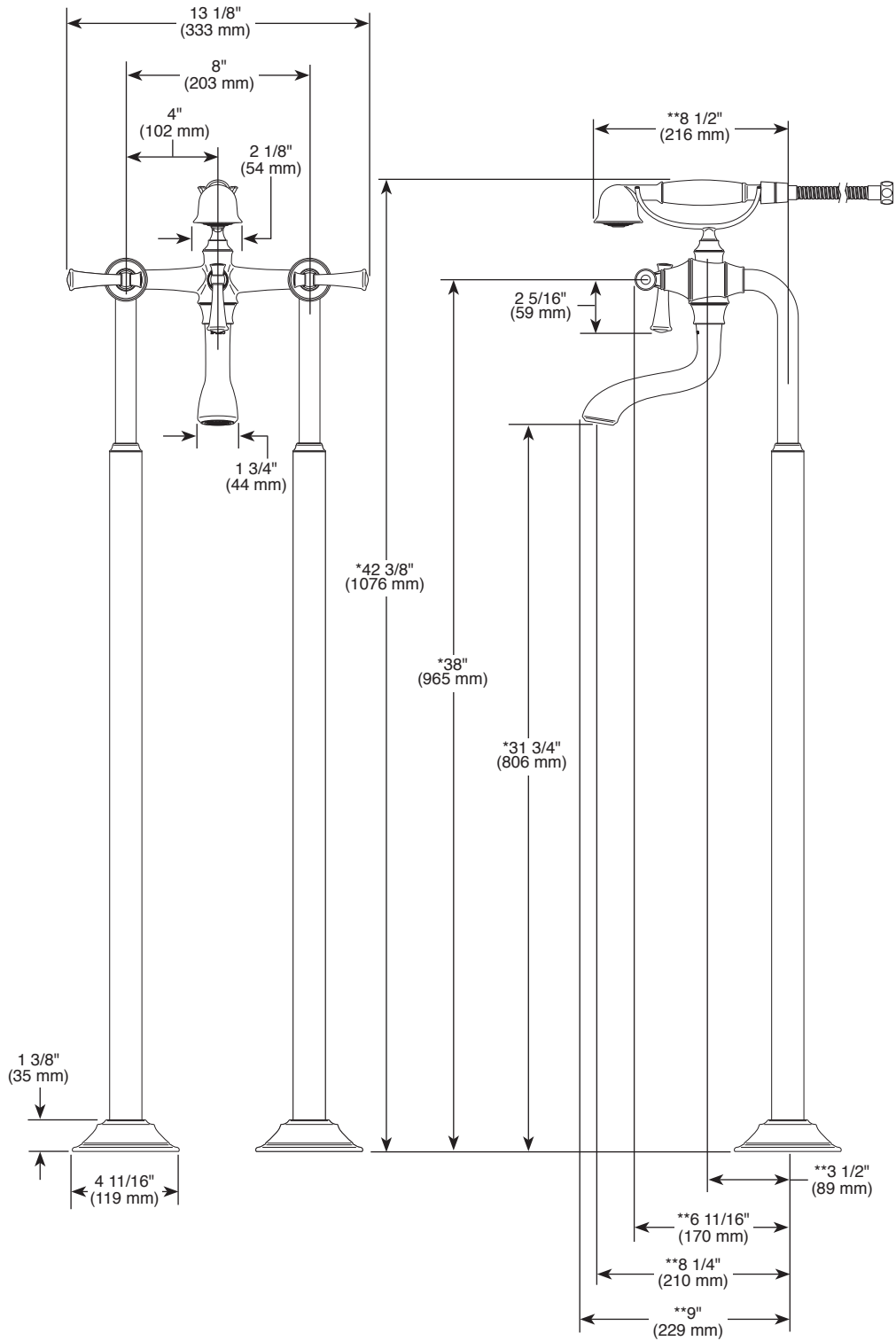
- ASME A112.18.1 / CSA B125.1
- ♿ Indicates compliance to ICC/ANSI A117.1 - Valve control only
- EPA WaterSense - Applies to handshower only - RP34696\*



**Brizo Kitchen & Bath Company**

55 E. 111th Street, Indianapolis, Indiana 46280  
 350 South Edgeware Road, St. Thomas, ON N5P 4L1  
 © 2017 Brizo Kitchen & Bath Company

**Floor Mount Configuration**



**SKU: RP73764**

Brizo

Specifications Currently Unavailable