

LAUFEN PRO



825960

Two-piece WC, siphonic action, Dual-Flush

Dimensions

Length: 25 9/16 inch
 Width: 14 3/16 inch
 Height: 17 5/16 inch

Options

null (Lb)

251 with certification mark "cUPC", with ASME Label 89.76 Lb

Mounting accessories included

Seal wax ring
 Fixing set, part nr. 891757

Related products

828963 Water Closet Tank
 894966 Seat with Cover

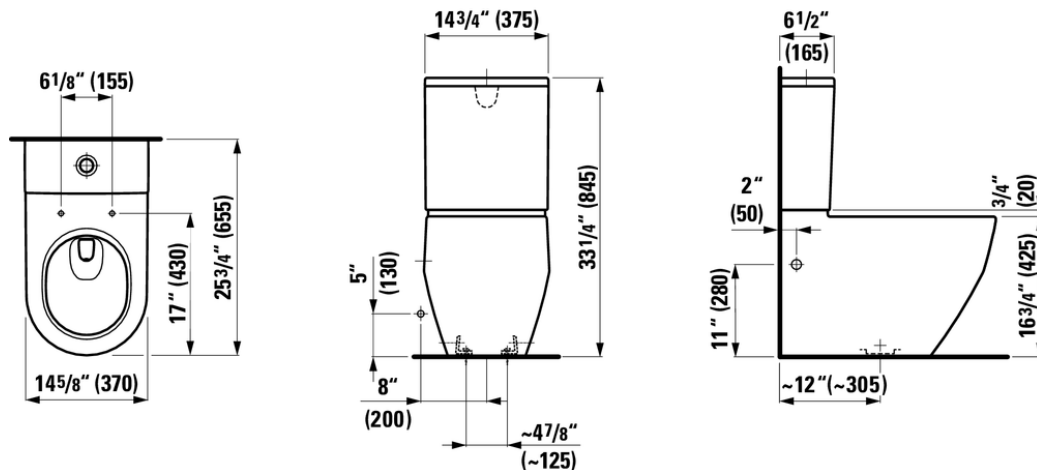
Colours and finishes

000 White

Specification text

Floorstanding 2PC Water Closet Bowl LAUFEN PRO
 Vitreous China
 Meets or exceeds the following:
 ASME A112.19.2/ ASME A112.19.14, IAPMO listed, cUPC, EPA
 Features:
 Siphon action Dual flush 1.6 gpf/6.0 lpf
 Rough-in vertical 11 13/16" (300 mm), wax free gasket
 Closed water rim, washdown, back to wall
 Concealed fixing
 Water Closet Tank to be ordered separately
 Seat with Cover to be ordered separately
 Limited 5 year warranty

Technical drawings





SKU: 8289630008431

Laufen

Specifications Currently Unavailable