

T66T035-▲LHP



BRIZO®

SENSORI® CUSTOM SHOWER TRIM

- Litze™ Collection
- Thermostatic Control Trim

FEATURES:

- Sensori® Thermostatic Control

STANDARD SPECIFICATIONS

- Must also order R66000-WS rough valve body
- Includes Sensori® thermostatic cartridge
- Handle controls temperature only; must be used with one or more Sensori® volume controls
- Field adjustable to limit rotation into hot water zone
- All parts are replaceable from the front of the valve
- Adjusts for up to 5/8" wall thickness. Optional extension kit (RP72604) available

WARRANTY

- Lifetime limited warranty on parts (other than electronic parts and batteries) and finishes: or, for commercial users, for 5 years from date of purchase.
- 5 year limited warranty on electronic parts (other than batteries); or, for commercial users, for 1 year from the date of purchase. No warranty is provided on batteries.

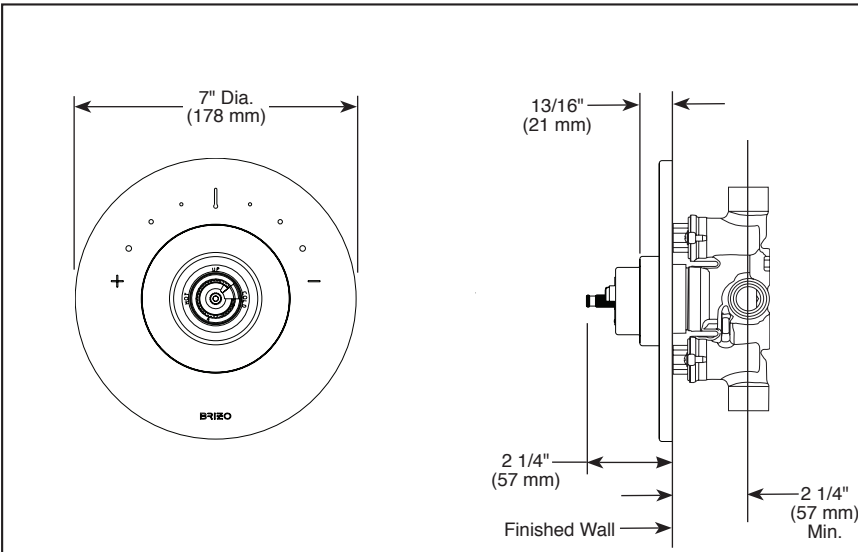
COMPLETE VALVE COMPLIES WITH:

- ASME A1 12.18.1 / CSA B1 25.1

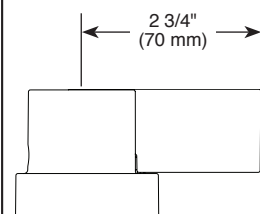
 Indicates compliance to ICC/ANSI A1 17.1

Submitted Model No.: _____

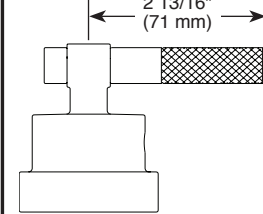
Specific Features: _____



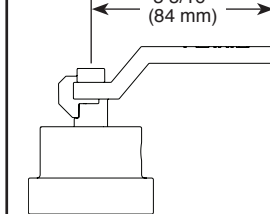
HL6632-▲ Lever Handle



HL6633-▲ T-Lever Handle



HL6634-▲ Industrial Lever Handle

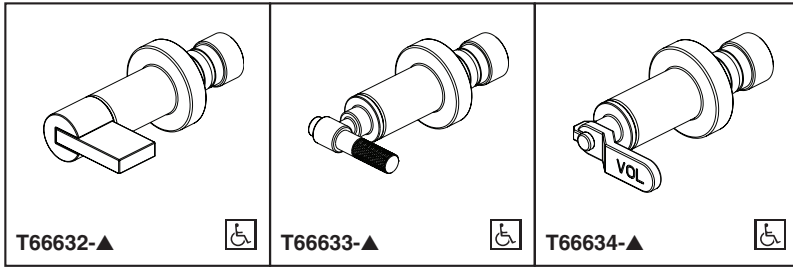


RP72604 Available Extension Kit

*Depending on the location of valve within the wall and wall thickness an optional extension kit (RP72604) can provide an additional 1 3/4" of wall thickness.

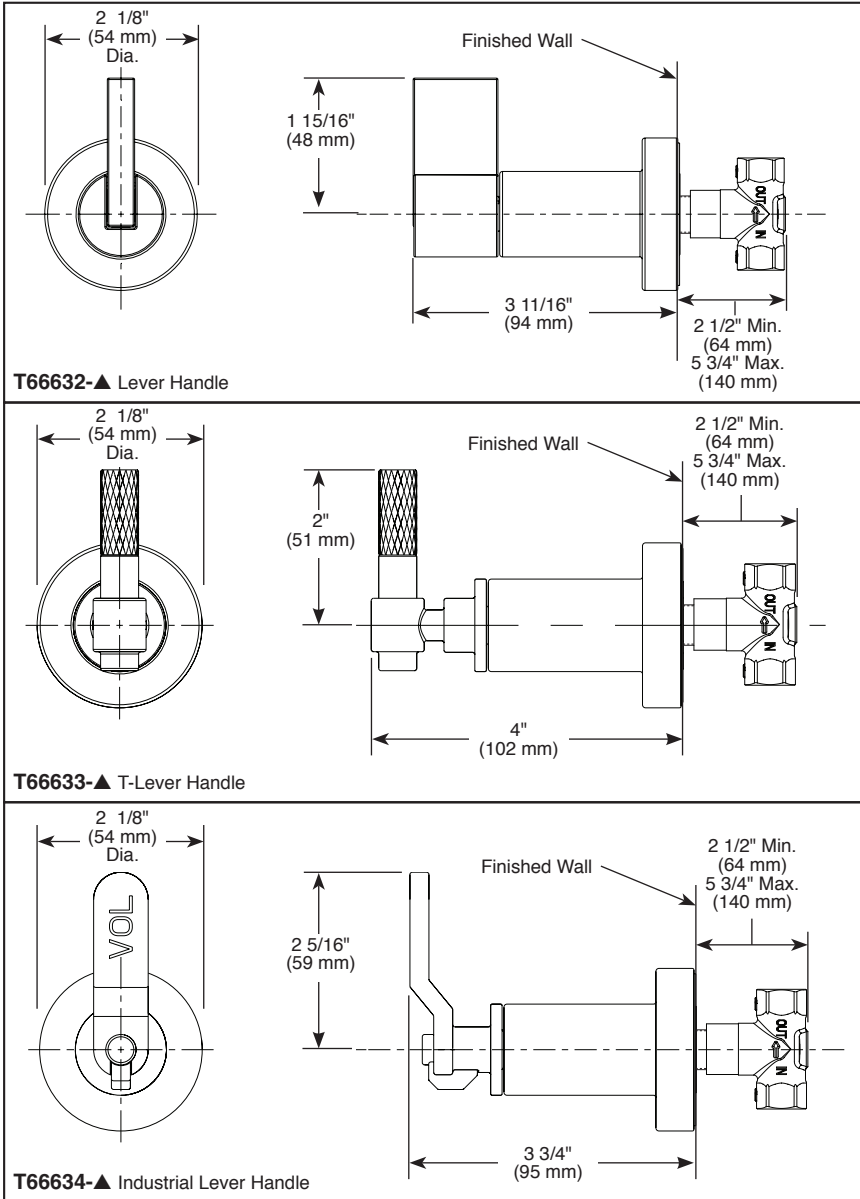
▲ Designate finish suffix

Brizo Kitchen & Bath reserves the right (1) to make changes in specifications and materials, and (2) to change or discontinue models, both without notice or obligation. Dimensions are for reference only. See current full-line price book or www.brizo.com for finish options and product availability.



Submitted Model No.: _____

Specific Features: _____



▲ Designate proper finish suffix

BRIZO[®]

SENSORI[®] CUSTOM SHOWER TRIM

- Litze™ Collection
- Volume Control Trim

STANDARD SPECIFICATIONS

- Must also order R35600 Rough-In
- 90° handle rotation controls volume only
- Volume controls are required for every outlet and every set of body sprays (up to 9.10 gpm @ 60 PSI)
- All parts are replaceable from the front
- Adjusts for wall thickness variations
- Recommended working pressure of 45-80 PSI
- Volume control only; must be used with temperature control device

WARRANTY

- Lifetime limited warranty on parts (other than electronic parts and batteries) and finishes; or, for commercial users, for 5 years from date of purchase.
- 5 year limited warranty on electronic parts (other than batteries); or, for commercial users, for 1 year from the date of purchase. No warranty is provided on batteries.

COMPLIES WITH:

- ASME A112.18.1 / CSA B125.1

Indicates compliance to ICC/ANSI A117.1- Valve control only

BRIZO[®] ON-WALL HANDSHOWER

■ Litze™ Bath Collection

FEATURES:

- Single function handshower featuring H₂Okinetic Technology[®]

STANDARD SPECIFICATIONS:

- Maximum 2.00 gpm @ 80 psi, 7.60 L/min @ 550 kPa
- Certified dual check valves for backflow prevention.
- 60-82" (1524mm-2083 mm) stretchable finished metal hose.
- Wall mount bracket with integrated elbow included.

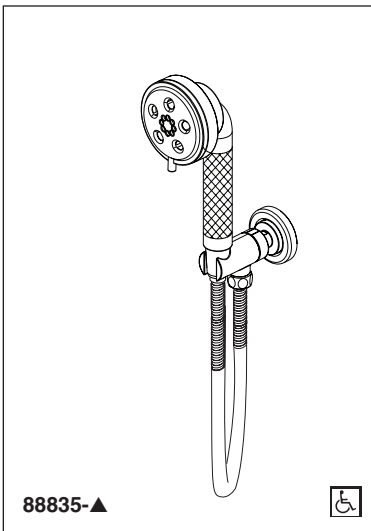
WARRANTY

- Lifetime limited warranty on parts (other than electronic parts and batteries) and finishes; or, for commercial users, for 5 years from date of purchase.
- 5 year limited warranty on electronic parts (other than batteries); or, for commercial users, for 1 year from the date of purchase. No warranty is provided on batteries.



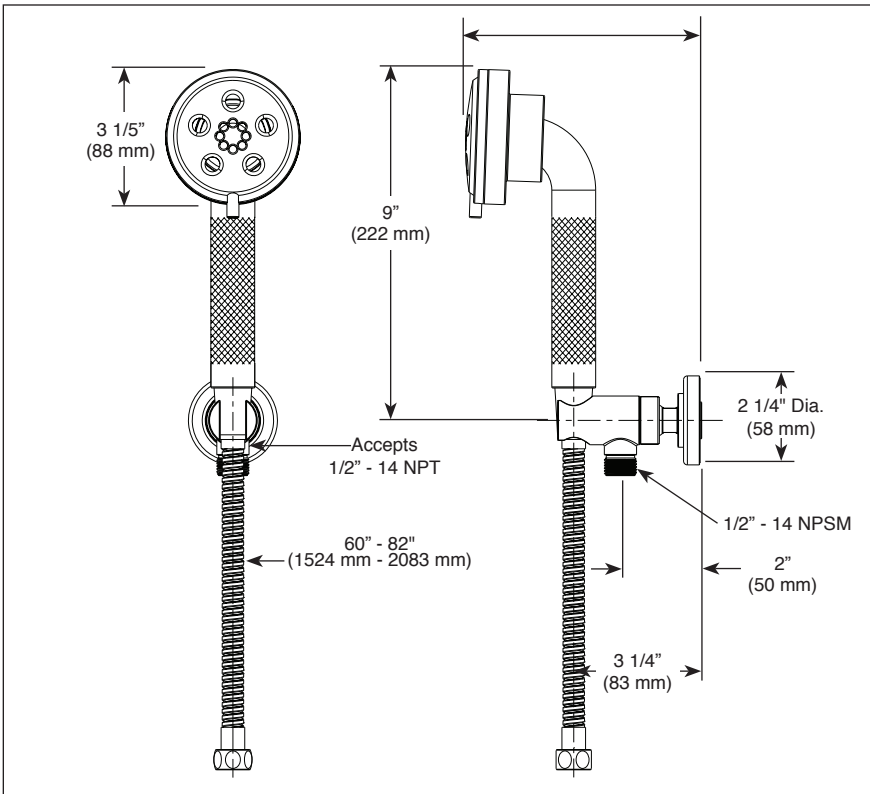
COMPLIES WITH:

- ASME A112.18.1 / CSA B125.1 ◆
- Indicates compliance to ICC/ANSI A117.1
- EPA WaterSense[®]



Submitted Model No.: _____

Specific Features: _____

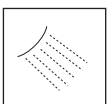


▲ Designate finish suffix

Spray Pattern



H₂Okinetic
Technology[®]



Massaging
Spray



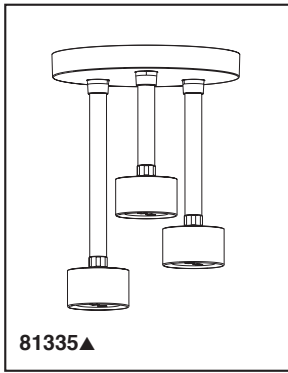
Pause

- ◆ Your Brizo Faucet hand shower incorporates a backflow protection system that has been tested to be in compliance with ASME A112.18.3. It incorporates two certified check valves in series, which operate independently and are integral, non-serviceable parts of the wand assembly.

Brizo Kitchen & Bath Company reserves the right (1) to make changes in specifications and materials, and (2) to change or discontinue models, both without notice or obligation. Dimensions are for reference only. See current full-line price book or www.brizo.com for finish options and product availability.

BSP-B-88835 Rev. A

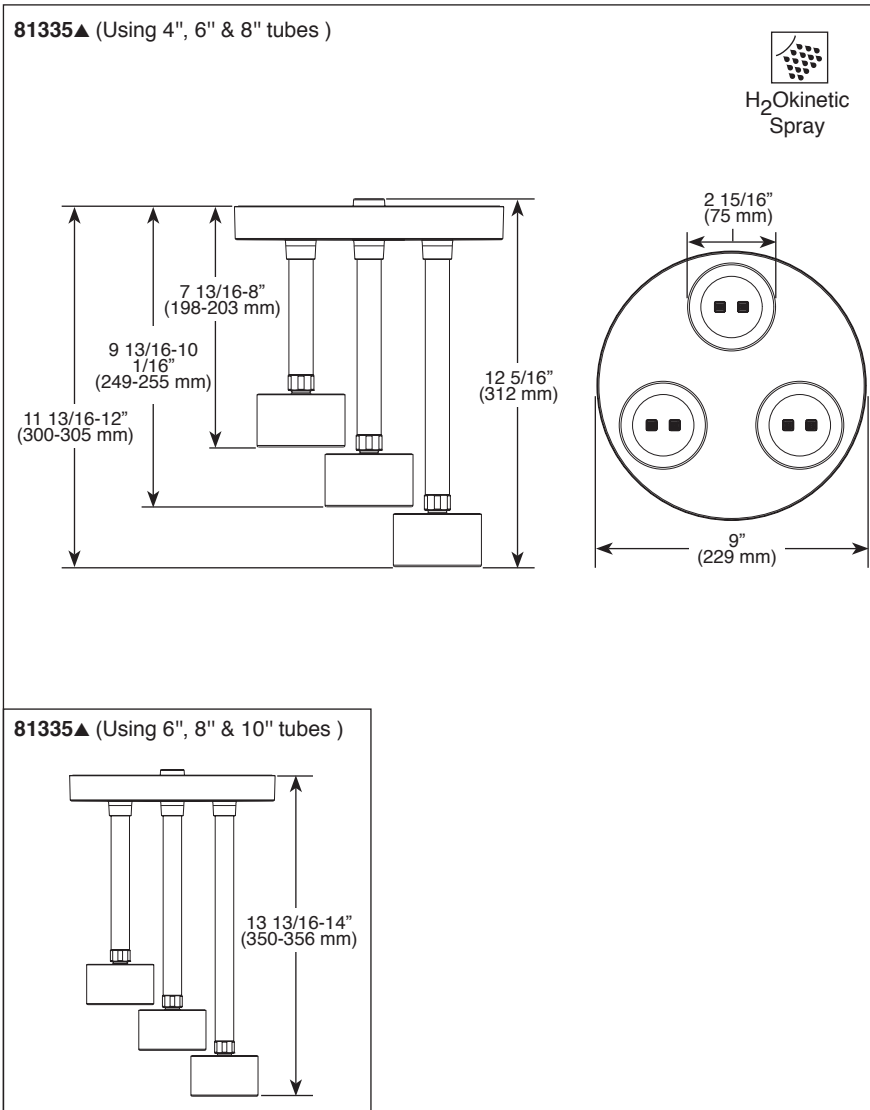
Brizo Kitchen & Bath Company
Indianapolis, Indiana 46280
A Division of Masco Corporation of Indiana
© 2016 Brizo Kitchen & Bath Company



81335▲

Submitted Model No.: _____

Specific Features: _____



▲ Designate proper finish suffix

BRIZO®

PENDANT RAINCAN

■ Litze™ Collection

FEATURES:

- H₂Okinetic Technology® single function showerhead.

STANDARD SPECIFICATIONS:

- Solid brass tubes & spray shells.
- Showerhead has 1/2"-14 NPSM female connection.
- Maximum 2.00 gpm @ 80 psi, 7.60 L/min @ 550 kPa
- Recommended ceiling height 9' minimum.
- Individual ball nuts allow independent pivot and rotate adjustment of each pendant.
- Includes 4 pendant tube lengths 4", 6", 8", 10" to accommodate higher ceilings, one for each length.

WARRANTY

- Lifetime limited warranty on parts (other than electronic parts and batteries) and finishes: or, for commercial users, for 5 years from date of purchase.
- 5 year limited warranty on electronic parts (other than batteries); or, for commercial users, for 1 year from the date of purchase. No warranty is provided on batteries.



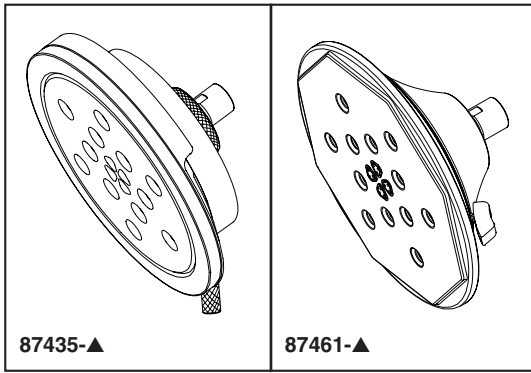
COMPLIES WITH:

- ASME A112.18.1 / CSA B125.1
- EPA WaterSense®

BRIZO®

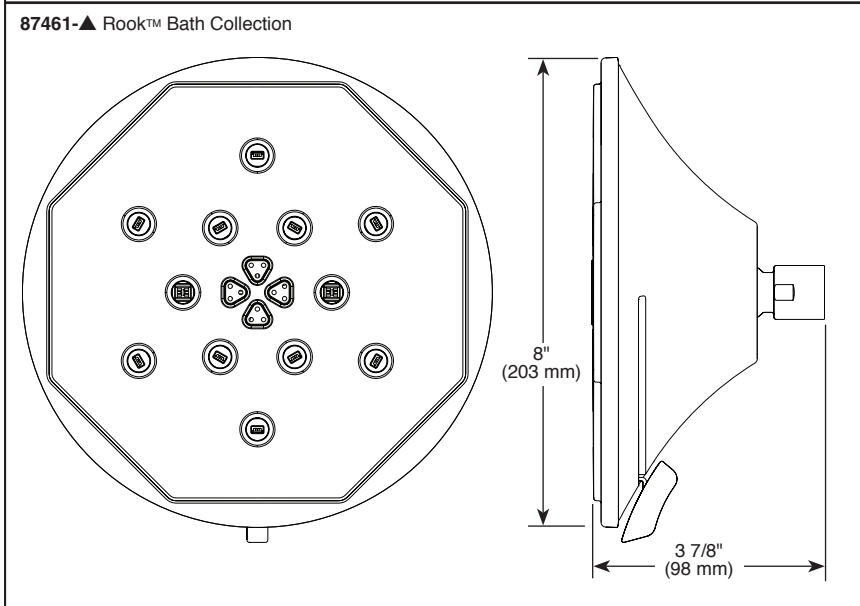
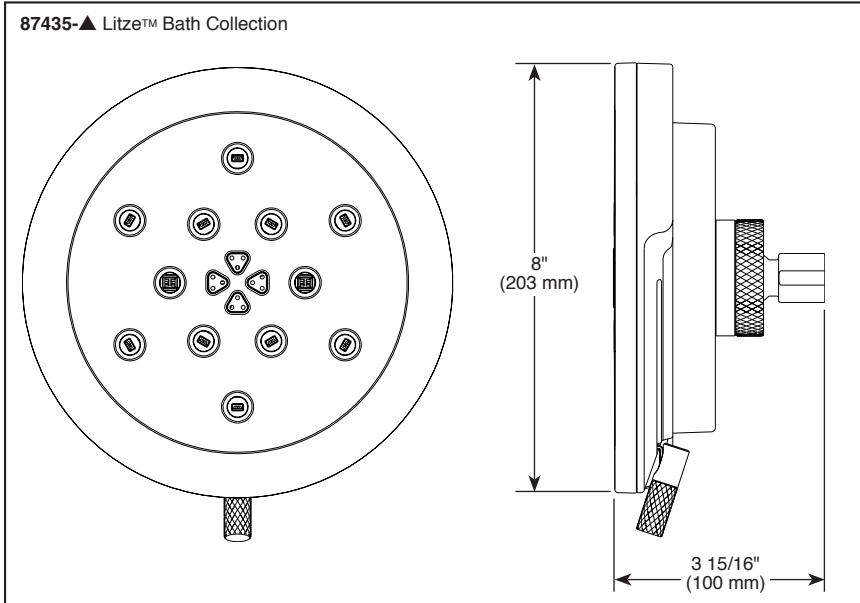
MULTI-FUNCTION SHOWERHEAD

■ 4-Function Showerhead Featuring H₂Okinetic Technology®



Submitted Model No.: _____

Specific Features: _____



STANDARD SPECIFICATIONS:

- Showerhead has 1/2"-14 NPSM female connection
- Max. 2.00 gpm @ 80 psi, 7.60 L/min @ 550 kPa
- Wrench flats for tightening
- Showerhead ball nut pivots, rotates and provides extra thread coverage
- Lever function control

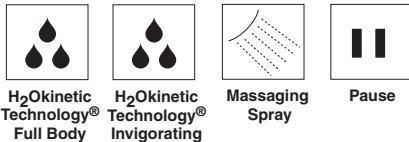
WARRANTY

- Lifetime limited warranty on parts (other than electronic parts and batteries) and finishes: or, for commercial users, for 5 years from date of purchase.
- 5 year limited warranty on electronic parts (other than batteries); or, for commercial users, for 1 year from the date of purchase. No warranty is provided on batteries.



COMPLIES WITH:

- ASME A112.18.1 / CSA B125.1
- EPA WaterSense®

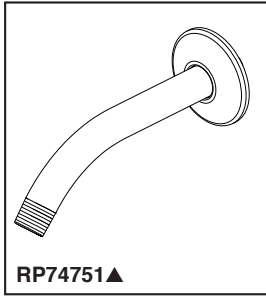


▲ Designate finish suffix

Brizo Kitchen & Bath Company reserves the right (1) to make changes in specifications and materials, and (2) to change or discontinue models, both without notice or obligation. Dimensions are for reference only. See current full-line price book or www.brizo.com for finish options and product availability.

BSP-B-87435 Rev. A

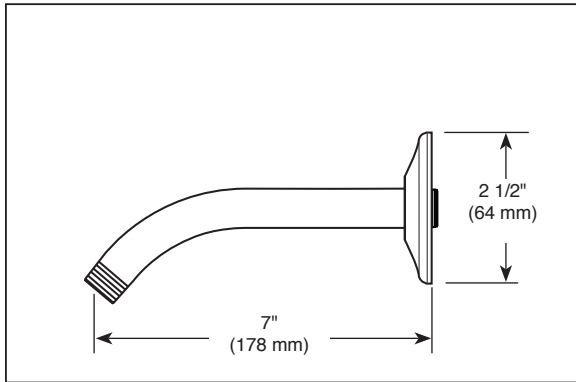
Brizo Kitchen & Bath Company
Indianapolis, Indiana 46280
A Division of Masco Corporation of Indiana
© 2016 Brizo Kitchen & Bath Company



RP74751▲

Submitted Model No.: _____

Specific Features: _____



▲ Designate proper finish suffix

BRIZO®

SHOWER ARM AND FLANGE

■ Odin™ Bath Collection

STANDARD SPECIFICATIONS:

- Solid brass construction
- 1/2" NPT threads

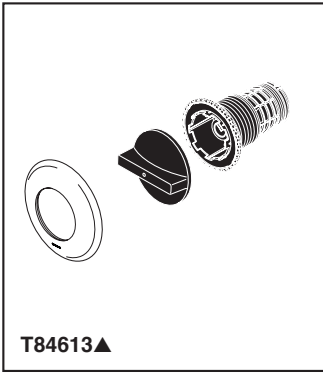
WARRANTY

- Lifetime limited warranty on parts (other than electronic parts and batteries) and finishes; or, for commercial users, for 5 years from date of purchase.
- 5 year limited warranty on electronic parts (other than batteries); or, for commercial users, for 1 year from the date of purchase. No warranty is provided on batteries.

SKU: HL6633

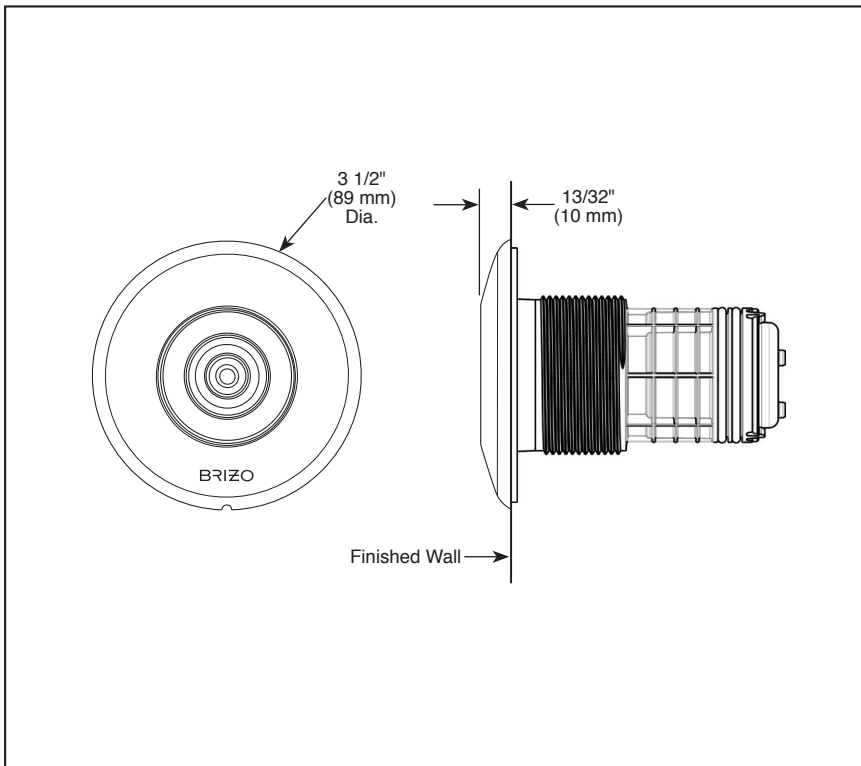
Brizo

Specifications Currently Unavailable

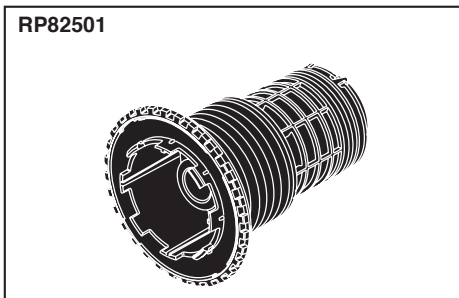


Submitted Model No.: _____

Specific Features: _____



▲ Designate proper finish suffix



BRIZO®

HYDRACHOICE™ MAX ROUND BODY SPRAY TRIM

■ 1.5 GPM

STANDARD SPECIFICATIONS

- Max. 1.50 gpm @ 80 PSI, 5.70 L/min @ 550 kPa.
- Flush mount installation.
- Must also order rough (R84100) and spray heads (SH84100▲, SH84101▲, SH84102▲, or SH84103▲) separately.
- Optional (RP82501) reduces flow rate to 1.00 gpm @ 80 psi, 3.80 L/min @ 550 kPa.

WARRANTY

- Lifetime limited warranty on parts (other than electronic parts and batteries) and finishes: or, for commercial users, for 5 years from date of purchase.
- 5 year limited warranty on electronic parts (other than batteries); or, for commercial users, for 1 year from the date of purchase. No warranty is provided on batteries.

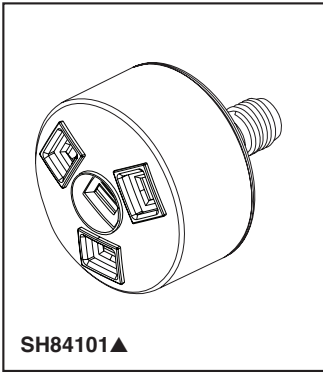
COMPLIES WITH:

- ASME A112.18.1 / CSA B125.1

Brizo Kitchen & Bath Company reserves the right (1) to make changes in specifications and materials, and (2) to change or discontinue models, both without notice or obligation. Dimensions are for reference only. See current full-line price book or www.brizo.com for finish options and product availability.

BSP-B-T84613 Rev. C

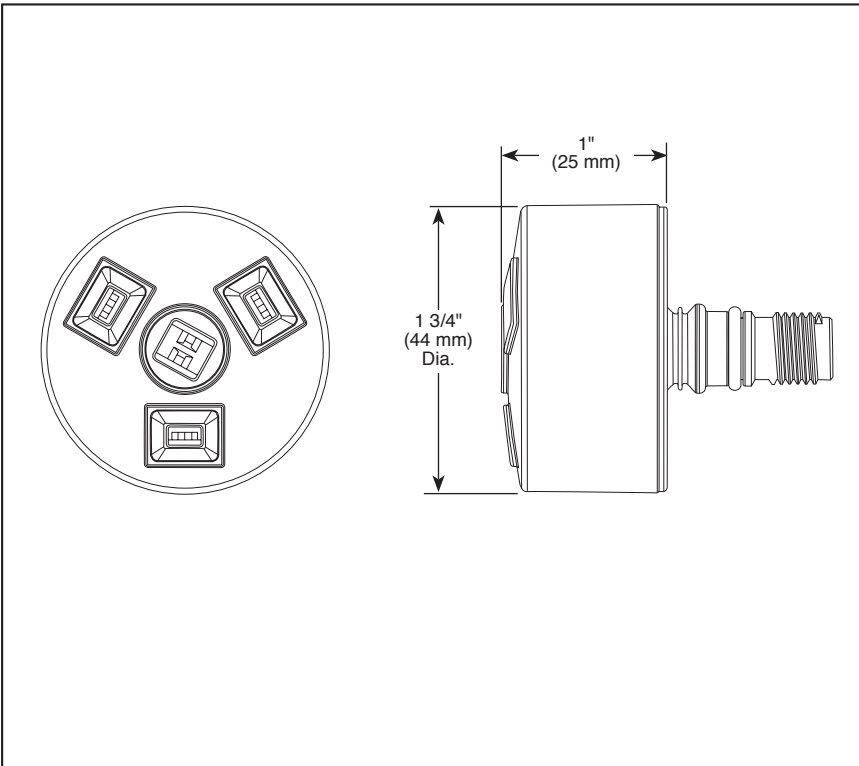
Brizo Kitchen & Bath Company
Indianapolis, Indiana 46280
A Division of Masco Corporation of Indiana
© 2016 Brizo Kitchen & Bath Company



SH84101▲

Submitted Model No.: _____

Specific Features: _____



▲ Designate proper finish suffix

BRIZO®

HYDRACHOICE™ MASSAGING SPRAY HEAD WITH H₂OKINETIC® TECHNOLOGY

STANDARD SPECIFICATIONS

- Must order rough (R84100) and trim (T84613▲ or T84913▲) separately.
- Spray head automatically extends 1 11/32" out of the wall when water is turned on.
- Spray heads are interchangeable by user.
- Spray heads adjust up to 50° in any direction once extended.
- Features H₂Okinetic® Technology.

WARRANTY

- Lifetime limited warranty on parts (other than electronic parts and batteries) and finishes; or, for commercial users, for 5 years from date of purchase.
- 5 year limited warranty on electronic parts (other than batteries); or, for commercial users, for 1 year from the date of purchase. No warranty is provided on batteries.



COMPLIES WITH:

- ASME A112.18.1 / CSA B125.1

Delta reserves the right (1) to make changes in specifications and materials, and (2) to change or discontinue models, both without notice or obligation. Dimensions are for reference only. See current full-line price book or www.brizo.com for finish options and product availability.

BSP-B-SH84101 Rev. A

Delta Faucet Company
Indianapolis, Indiana 46280
A Division of Masco Corporation of Indiana
© 2014 Masco Corporation of Indiana