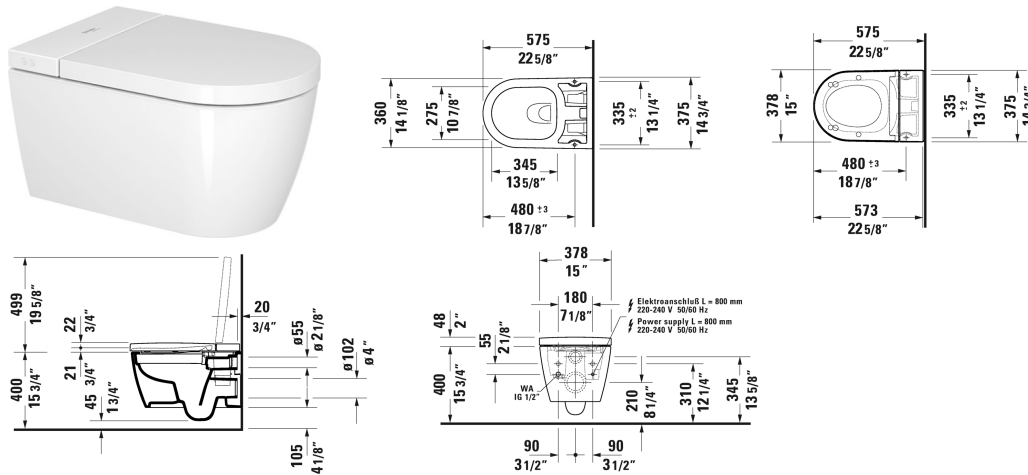


ME by Starck Toilet wall-mounted Duravit Rimless for SensoWash® f # 251009..92

< 14 3/4" Inch >



Toilet wall-mounted Duravit Rimless for SensoWash® f	Dimension	Weight	Order number
rimless, washdown model, only in combination with SensoWash f, cUPC® listed*			
Colors			
Variant			
1.28/0.8 gpf	14 3/4" x 22 5/8" Inch	55.1 lb	251009..92
Infobox			
Choose suitable pre-installation kit or connecting set depending on in-wall carrier selection, Wall-mounted toilet is ADA compliant, when installed with a seat height of 17" - 19" from the finished floor, If 2x6" carrier is used, # 005072 is mandatory for SensoWash® installation during rough-in stage, Not available with WonderGliss, In-wall tank & carrier and actuator plate required for installation / Refer to page XXX			
Hardware for wall-mounted bidet and wall-mounted toilet	Ø 1/2" x 7 1/8" Inch	0.4 lb	006500
Noise reduction gasket for wall-mounted toilet		0.7 lb	005064
Pre-installation set in combination with SensoWash, for in-wall carrier with horizontal support without shower toilet pre-installation/conduit pipe			005072
Connecting set in combination with SensoWash Starck f			100731
Suitable products			

**ME by Starck Toilet wall-mounted Duravit Rimless for
SensoWash® f ♿ # 251009..92**

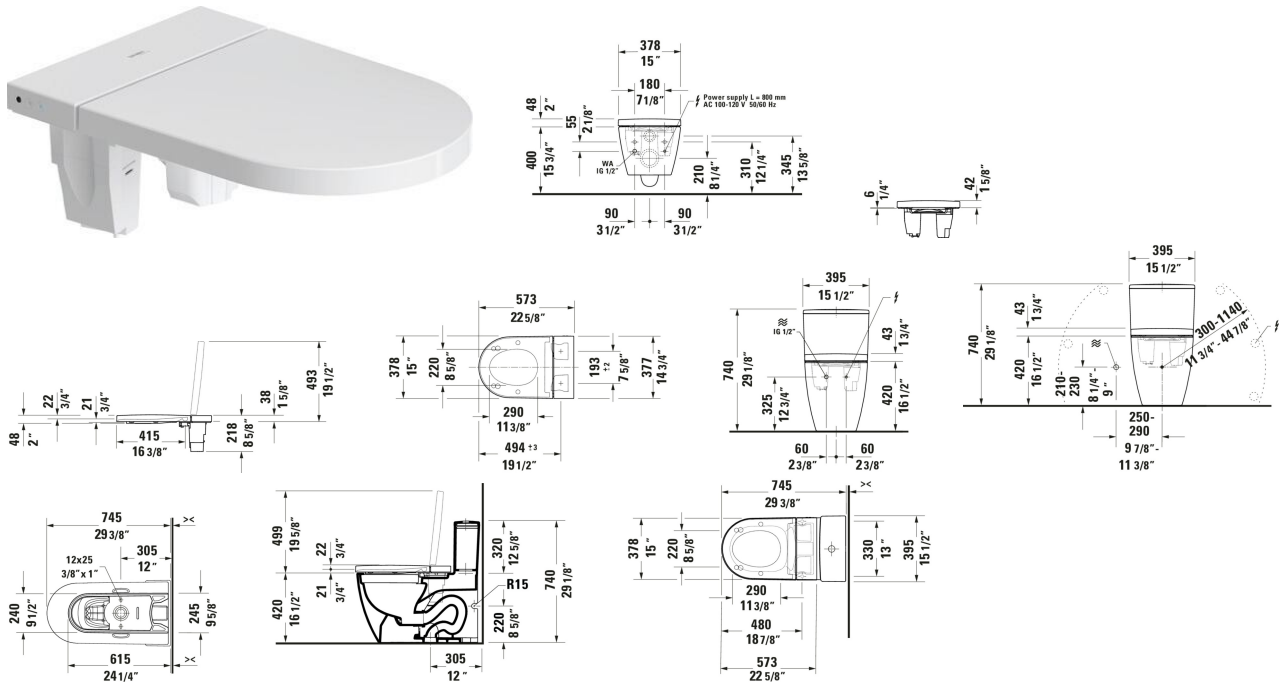
|< 14 3/4" Inch >|

<p>SensoWash® Starck f Plus shower toilet-seat Rear-, Lady- and Comfortwash, heated seat, warm air dryer, individual adjustment of water-, air- and seat surface temperature as well as nozzle position and jet strength, night light, Intelligent energy-saving mode, remote control included, app operation, self-cleaning wand, descaling function, automatic drainage in periods of prolonged disuse, 14 7/8" x 22 5/8" Inch</p>	<p>14 7/8" x 22 5/8" Inch</p>	<p>612000</p>
<p>SensoWash® Starck f Lite shower-toilet seat Rear-, Lady- and Comfortwash, heated seat, Intelligent energy-saving mode, warm air dryer, individual adjustment of water-, air- and seat surface temperature as well as nozzle position and jet strength, automatic drainage in periods of prolonged disuse, descaling function, night light, remote control included, app operation, self-cleaning wand, seat/lid material thermoplastic, 14 7/8" x 22 5/8" Inch</p>	<p>14 7/8" x 22 5/8" Inch</p>	<p>612001</p>

All drawings contain the necessary measurements which are subject to standard tolerances. They are stated in inch & mm and are non-binding. Exact measurements, in particular for customized installation scenarios, can only be taken from the finished ceramic piece.

SensoWash® Starck f Shower toilet seat Plus # 612000011041320

< 22 1/2 " >



Shower toilet seat Plus	Dimension	Weight	Order number
<p>Lid actuation: At the touch of a button, Automatic, Adjustable blower levels: 1 Step, Number of warm air dryer options: 4 Steps, Water position adjustment: 5 Steps, Number of spray intensity options: 3 Steps, Number of spray temperature options: 4 Steps, Water position adjustment: 5 Steps, Rearwash, Frontwash, Pulsing shower spray: Oscillating, Self-cleaning function, Energy saving mode: Adjustable, Holiday mode, Night light</p>			
<p>Colors</p> <p>00 White</p>			
<p>Variant</p> <p>Matches series ME by Starck, White, Slow close, Seat material type: Duroplast, Lid material type: Duroplast, Lid actuation: Automatic, Touchless, At the touch of a button, Flow rate dryer: 12 m3/h, Warm air dryer, Heated seat, Operation type: Remote control, App, Number of user profiles: 2, Odor extraction, Electricity connections: External, Decalcification function, Connection voltage: 100 - 120 V, Min. frequency: 50 Hz, WaterSense: No, cUPC listed: Yes</p>	22 1/2 "x8 5/8 "	15.432 lb	612000011041320
<p>Installation accessories</p>			
Installation Set	4 1/8 x 5 3/8 "	0.948 lb	005072
Connection Set Shower-toilets	8 5/8 x 2 3/8 "	0.617 lb	100731

SensoWash® Starck f Shower toilet seat Plus #
612000011041320

|< 22 1/2 " >|

Suitable products	
Wall Mounted Toilet HygieneGlaze, Flush water quantity: 1.28/1.28 gal, Washdown model, Flushing rim: Rimless, Flush system: washdown model, Outlet horizontal, Concealed fixation, cUPC listed: Yes, 14 1/8 x 22 5/8 "	251009
One Piece Toilet 29 3/8 ", elongated, HygieneGlaze, Flush water quantity: 1.32/1.32 gal, Siphonic, Flushing rim: Rimless, Outlet: vertical, Rough-in: 12 ", 14 7/8 x 29 3/8 "	218901

All drawings contain the necessary measurements which are subject to standard tolerances. They are stated in inch & mm and are non-binding. Exact measurements, in particular for customized installation scenarios, can only be taken from the finished ceramic piece.