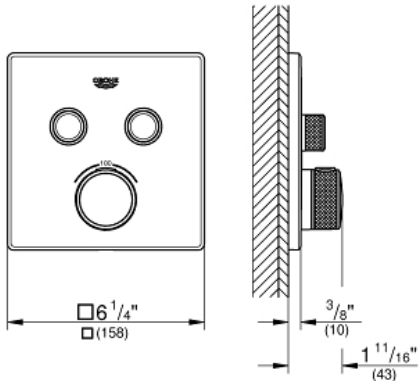


GROHTHERM SMARTCONTROL Dual Function Thermostatic Trim with Control Module

MODEL # 29141000

Pure Freude
an Wasser

GROHE



Product Description: GROHTHERM SMARTCONTROL Dual Function Thermostatic Trim with Control Module

Standard Specification:

- Final installation set for:
- Required rough-in-set sold separately (GROHE Rapido SmartBox 35 601 000)
- Metal wall escutcheon with **GROHE QuickFix** (covered escutcheon and shaft sealing, covered fixing), 6° angle adjustable
- 3/8" (10 mm) thin profile escutcheon
- **GROHE StarLight** chrome finish
- SmartControl push for ON-OFF, turn for volume adjustment from EcoJoy to Full Flow
- Includes various icons to customize push buttons
- **GROHE TurboStat** Compact cartridge with wax thermoelement
- **GROHE SafeStop** safety button at 100°F/38°C
- Built-in check valve with dirt strainer
- Multiple outlets can be run simultaneously
- Maximum flow performance combined: 7.7gpm (29L/min) @ 43.5 psi (3 bar)
- Optional flow reducer for CALGreen compliance included

Applicable Codes & Standards:

- ASME A112.18.1/CSA B125.1
- CalGreen

Color:

- 29141000 StarLight Chrome

35 601

RAPIDO® SMARTBOX

UNIVERSAL ROUGH-IN BOX

Pure Freude
an Wasser



STANDARD SPECIFICATION:

- 3 Outlets 1/2" female NPT
- 2 Inlets below, 1/2" female NPT
- Installation depth 3"-4 1/8" (75-105mm)
- Connection unit in DR brass
- Includes integrated pre-mounted flushing plug
- Stable built-in box / protective cover
- Leak-proof housing
- Service Stops for maintenance of cartridge included with the trim
- Mounting options for solid walls and dry walls
- Trim sold separately



PRODUCT FEATURES:

CERTIFICATIONS:

- Massachusetts Plumbing Board Approved
- ASSE 1016
- CSA B125.1
- CSA B125.16
- ASME A112.18.1
- ASME A112.1016

AVAILABLE FINISHES:

35601000 No Finish

NOTE: Install this product according to the installation guide. ADA, CSA compliant when installed to the specific requirements of these regulations.

We reserve the right to make revisions without notice to product specifications. 01-21-2022

US

Tel: 1.630.582.7711 Fax: 1.630.582.7722
For the most current Specification Sheet,
go to www.grohe.us.

Canada

Tel: 1.888.644.7643 Fax: 1.905.366.2071
For the most current Specification Sheet,
go to www.grohe.ca.

PART OF **LIXIL**

35 601

RAPIDO® SMARTBOX

UNIVERSAL ROUGH-IN BOX

Pure Freude
an Wasser

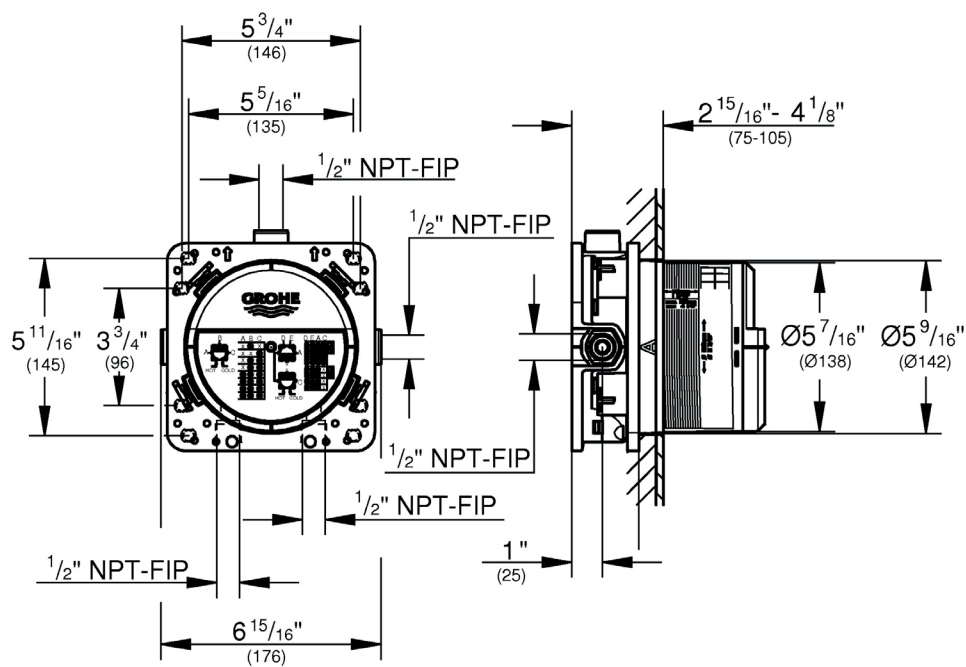


TECHNICAL DATA:

Product Height 5-11/16 in

Product Length 4-1/8 in

Product Width 6-15/16 in



26 633 RELEXA® 6" SHOWER ARM

Pure Freude
an Wasser



STANDARD SPECIFICATION:

- GROHE StarLight®
- Square escutcheon
- 1/2" NPT Male threads



PRODUCT FEATURES:



CERTIFICATIONS:

- CSA B125.1
- ASME A112.18.1

AVAILABLE FINISHES:

- 26633000**  GROHE StarLight® Chrome
- 26633A00**  Hard Graphite
- 26633EN0**  Brushed Nickel InfinityFinish™
- 26633GN0**  Brushed Cool Sunrise

NOTE: Install this product according to the installation guide. ADA, CSA compliant when installed to the specific requirements of these regulations.

We reserve the right to make revisions without notice to product specifications. 01-03-2023

US
Tel: 1.630.582.7711 Fax: 1.630.582.7722
For the most current Specification Sheet,
go to www.grohe.us.

Canada
Tel: 1.888.644.7643 Fax: 1.905.366.2071
For the most current Specification Sheet,
go to www.grohe.ca.

PART OF **LIXIL**

26 633

RELEXA®

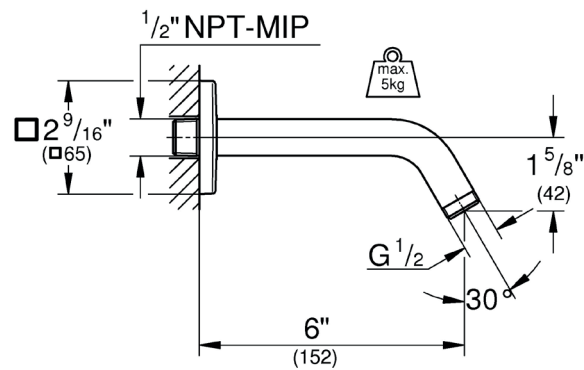
6" SHOWER ARM

Pure Freude
an Wasser



TECHNICAL DATA:

Product Height	75 mm
Product Length	152 mm
Product Width	65 mm



26 468

EUPHORIA® CUBE+

150 SHOWER HEAD, 6" - 1 SPRAY

Pure Freude
an Wasser



STANDARD SPECIFICATION:

- GROHE StarLight®
- GROHE DreamSpray®
- GROHE EcoJoy®
- Speed Clean® anti-lime system
- 6" x 6" Face
- 1 Spray: Rain
- 1/2" NPT Female threads
- Rotation angle ±12°
- For overhead shower applications only
- Max. flow rate: 1.75gpm (6.6L/min)



PRODUCT FEATURES:

-  GROHE StarLight®
-  GROHE DreamSpray®
-  GROHE EcoJoy™
-  Speed Clean®

CERTIFICATIONS:



- WaterSense
- CEC Certified
- CALGreen Compliant
- Massachusetts Plumbing Board Approved
- Energy Policy Act of 1992
- CSA B125.1
- ASME A112.18.1

AVAILABLE FINISHES:

- 26468000**  GROHE StarLight® Chrome
- 264682430**  Matte Black
- 26468A00**  Hard Graphite
- 26468EN0**  Brushed Nickel InfinityFinish™
- 26468GN0**  Brushed Cool Sunrise

NOTE: Install this product according to the installation guide. ADA, CSA compliant when installed to the specific requirements of these regulations.

We reserve the right to make revisions without notice to product specifications. 04-04-2023

US
Tel: 1.630.582.7711 Fax: 1.630.582.7722
For the most current Specification Sheet,
go to www.grohe.us.

Canada
Tel: 1.888.644.7643 Fax: 1.905.366.2071
For the most current Specification Sheet,
go to www.grohe.ca.

PART OF **LIXIL**

26 468

EUPHORIA® CUBE+

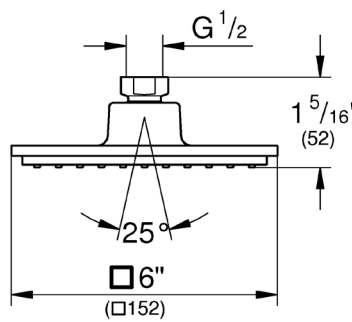
150 SHOWER HEAD, 6" - 1 SPRAY

Pure Freude
an Wasser



TECHNICAL DATA:

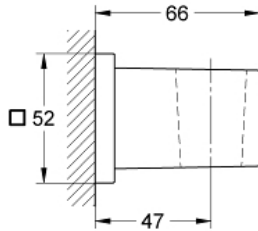
Product Height	52 mm
Product Length	152 mm
Product Width	152 mm
GPM (Min)-GPM (Max)	1.75 gal (US)/min



EUPHORIA CUBE
Wall Hand Shower Holder
MODEL # 27693000

Pure Freude
an Wasser

GROHE



Product Description:
EUPHORIA CUBE
Wall Hand Shower Holder

Standard Specification:

- Non-Adjustable Shower Head
- GROHE StarLight chrome finish

Applicable Codes & Standards:

- Energy Policy Act of 1992
- ASME A112.18.1/CSA B125.1

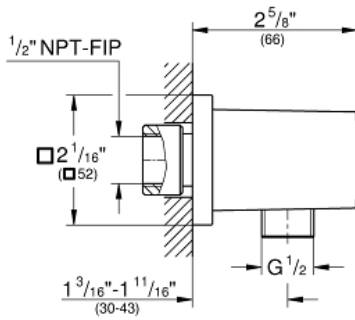
Color:

- 27693000 StarLight Chrome

EUPHORIA CUBE
Shower Wall Union, 1/2"
MODEL # 26634000

Pure Freude
an Wasser

GROHE



Product Description:
EUPHORIA CUBE
Shower Wall Union, 1/2"

- Standard Specification:**
- 1/2" NPT Female Threads
 - Check valve included to prevent backflow
 - GROHE StarLight chrome finish

- Applicable Codes & Standards:**
- Energy Policy Act of 1992
 - ASME A112.18.1/CSA B125.1
 - CalGreen

Color:
□ 26634000 StarLight Chrome

26 994

UNIVERSAL

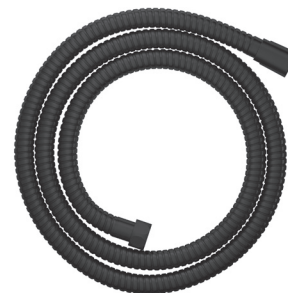
59" METAL TWIST-FREE SHOWER HOSE

*Pure Freude
an Wasser*



STANDARD SPECIFICATION:

- 59" Long
- Metal hose
- Tensile strength 500 N
- Pressure resistance: up to 14.5psi (16 bar)
- Heat resistance 165°F
- AntiFold bend proof
- 1/2" NPT female threads
- Rotation cone for Twist-free function
- Silicone strip prevents hand shower from turning while in body spray position



PRODUCT FEATURES:

CERTIFICATIONS:



- ADA
- Massachusetts Plumbing Board Approved
- CSA B125.1
- ASME A112.18.1

AVAILABLE FINISHES:

269942430  Matte Black

NOTE: Install this product according to the installation guide. ADA, CSA compliant when installed to the specific requirements of these regulations.

We reserve the right to make revisions without notice to product specifications. 10-05-2022

US
Tel: 1.630.582.7711 Fax: 1.630.582.7722
For the most current Specification Sheet,
go to www.grohe.us.

Canada
Tel: 1.888.644.7643 Fax: 1.905.366.2071
For the most current Specification Sheet,
go to www.grohe.ca.

PART OF **LIXIL**

26 994

UNIVERSAL

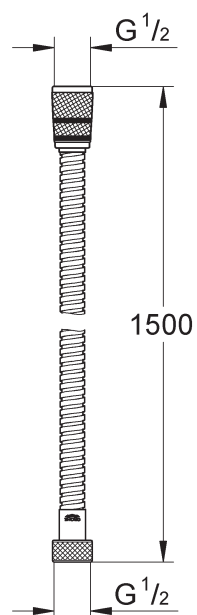
59" METAL TWIST-FREE SHOWER HOSE

*Pure Freude
an Wasser*



TECHNICAL DATA:

Product Height	23 mm
Product Length	1,500 mm
Product Width	23 mm



26 867

EUPHORIA® CUBE+

STICK HAND SHOWER - 1 SPRAY

Pure Freude
an Wasser



STANDARD SPECIFICATION:

- GROHE StarLight®
- GROHE DreamSpray®
- GROHE EcoJoy®
- Speed Clean® anti-lime system
- 1 Spray: Non-adjustable normal spray
- Metal hand shower
- Max. flow rate: 1.75gpm (6.6L/min)



PRODUCT FEATURES:

-  GROHE StarLight®
-  GROHE DreamSpray®
-  GROHE EcoJoy™
-  Speed Clean®

CERTIFICATIONS:



- WaterSense
- CEC Certified
- CALGreen Compliant
- Massachusetts Plumbing Board Approved
- Energy Policy Act of 1992
- CSA B125.1
- ASME A112.18.1

AVAILABLE FINISHES:

- 26867000**  GROHE StarLight® Chrome
- 268672430**  Matte Black
- 26867A00**  Hard Graphite
- 26867EN0**  Brushed Nickel InfinityFinish™
- 26867GN0**  Brushed Cool Sunrise

NOTE: Install this product according to the installation guide. ADA, CSA compliant when installed to the specific requirements of these regulations.

We reserve the right to make revisions without notice to product specifications. 04-04-2023

US
Tel: 1.630.582.7711 Fax: 1.630.582.7722
For the most current Specification Sheet,
go to www.grohe.us.

Canada
Tel: 1.888.644.7643 Fax: 1.905.366.2071
For the most current Specification Sheet,
go to www.grohe.ca.

PART OF **LIXIL**

26 867

EUPHORIA® CUBE+

STICK HAND SHOWER - 1 SPRAY

Pure Freude
an Wasser



TECHNICAL DATA:

Product Height	216 mm
Product Length	24 mm
Product Width	24 mm
GPM (Min)-GPM (Max)	1.75 GPM

