

20 816 892 Product version from 4/1/2024



- 235mm projection
- pivotable spout 360°
- air-enriched flow
- height of mixer 370 mm
- height up to aerator 212 mm
- hole diameter spout 35 mm
- hole diameter valve 32 mm
- max. flow 5.7 l/min at 3 bar flow pressure
- lead-free
- This product can help a building meet the requirements of Green Building Rating Systems, e.g. LEED®, BREEAM®, DGNB

	Chrome	20 816 892-00 0010
	Brushed Platinum	20 816 892-06 0010
	Platinum	20 816 892-08 0010
	Durabrand (23kt Gold)	20 816 892-09 0010
	Dark Chrome	20 816 892-19 0010
	Brushed Durabrand (23kt Gold)	20 816 892-28 0010
	Matte Black	20 816 892-33 0010
	Brushed Dark Brass	20 816 892-39 0010
	Brushed Bronze	20 816 892-42 0010
	Brushed Champagne (22kt Gold)	20 816 892-46 0010
	Champagne (22kt Gold)	20 816 892-47 0010
	Brushed Chrome	20 816 892-93 0010
	Brushed Dark Platinum	20 816 892-99 0010

Recommended miscellaneous

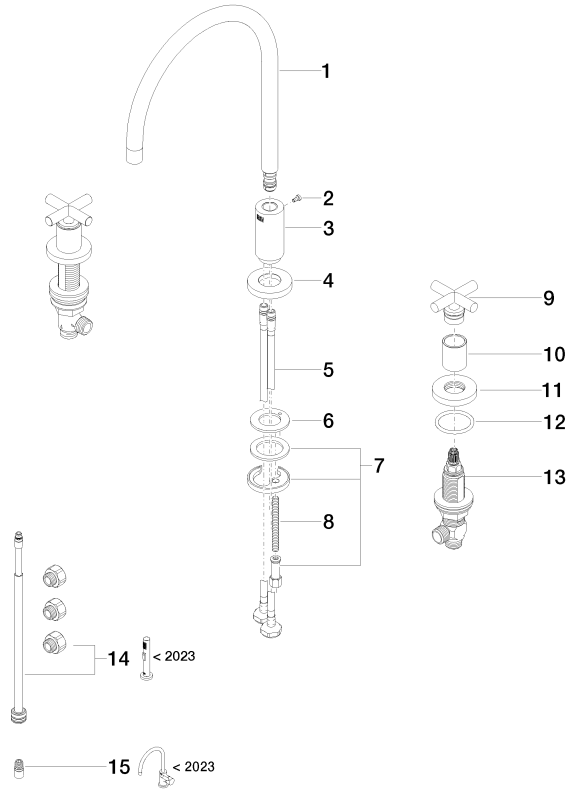
AIR SWITCH Control button - Chrome 10 713 970-00



Recommended miscellaneous

Dispenser with rosette - Chrome 82 444 970-00

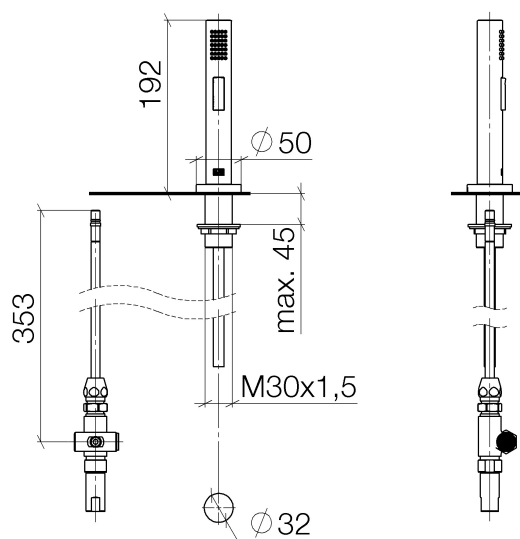




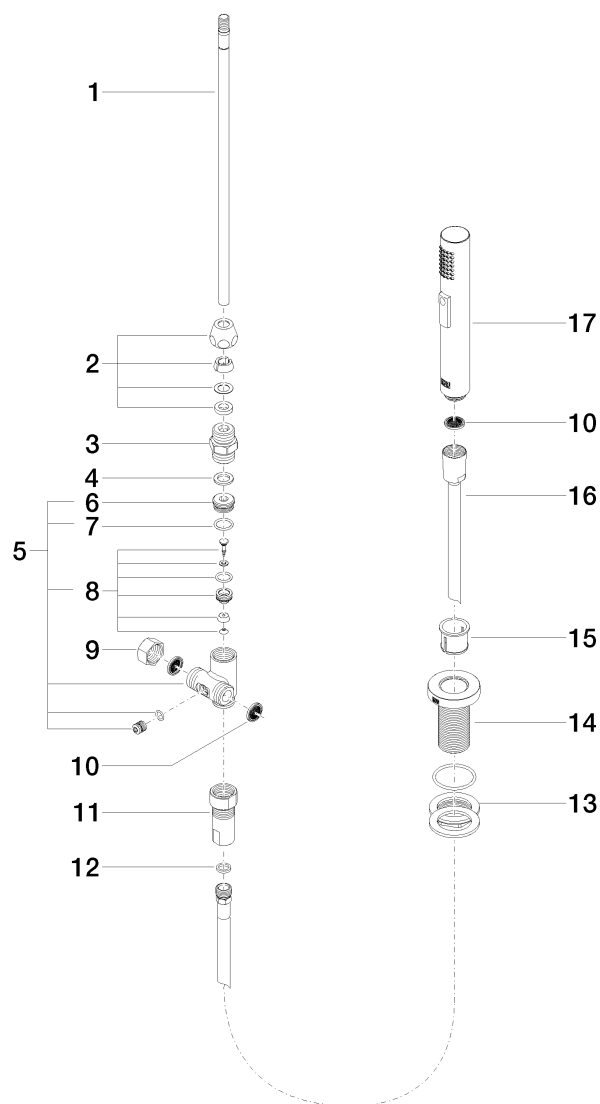
Spare parts list

No.	Item Number	Name	Quantity used	Delivery time
	5 04 30 04 019 00 90	hose	2.00	2
	15 90 24 03 537 01 90	adaptor	1.00	2
	1 90 28 22 226 02-00	spout	1.00	10
	12 90 14 10 043 00 90	seal	2.00	2
	3 09 11 10 036-00	connection	1.00	10
	7 04 30 11 038 00 90	fixing set	1.00	2
	13 90 17 11 040 51 90	side panel	2.00	2
	6 09 14 05 047 90	seal	1.00	2
	4 09 28 10 140-00	ring	1.00	10
	11 09 27 89 105-00	rosette	2.00	10
	2 09 30 30 057 90	screw	1.00	2
	14 90 17 09 046 13 90	conversion kit	1.00	2
	10 09 21 02 140-00	sleeve	2.00	10
	9 90 20 89 010 10-00	handle	2.00	10
	8 09 31 11 011 90	pin	1.00	2

Serienübergreifende Artikel Handbrausegarnitur
Artikelnummer: 27721970



Explosionszeichnung



Serienübergreifende Artikel Handbrausegarnitur

Artikelnummer: 27721970



Bestellmenge

Nr.	Artikelnummer	Benennung	Verbaumenge
1	04240204601-07	Rohr	1
2	04233004000ff	Verschraubung	1
3	0924031681090	Nippel	1
4	09142000290	Dichtung	1
5	0417090461090	Umstellung	1
6	0924041121090	Nippel	1
7	09141003390	Dichtung	1
8	0421100311090	Umstellung	1
9	0421020060092	Kappe	1
10	09230103990	Einsatz	3
11	0424032410090	Nippel	1
12	09142001990	Dichtung	1
13	0430110386690	Befestigungssatz	1
14	093001285ff	Rosette	1
15	09184008590	Huelse	1
16	04300206200ff	Schlauch	1
17	04121115800ff	Brause	1

Durchflussdiagramm

