

# BUSTER + PUNCH

LONDON

[ product. ]

## DOOR KNOB SET / PRE-DRILLED / PASSAGE / CROSS

[ motion. **TWIST.** ]

[ action. **UNSPRUNG.** ]

[ knurl. **CROSS.** ]

[ range. **DOOR HARDWARE.** ]

A door knob set made from solid metal. Machined from solid metal bar and featuring our signature, diamond-cut, cross knurl pattern. Works great on all internal doors and can be teamed up with our matching door accessories. Available in 3 metal finishes: steel, brass and black.



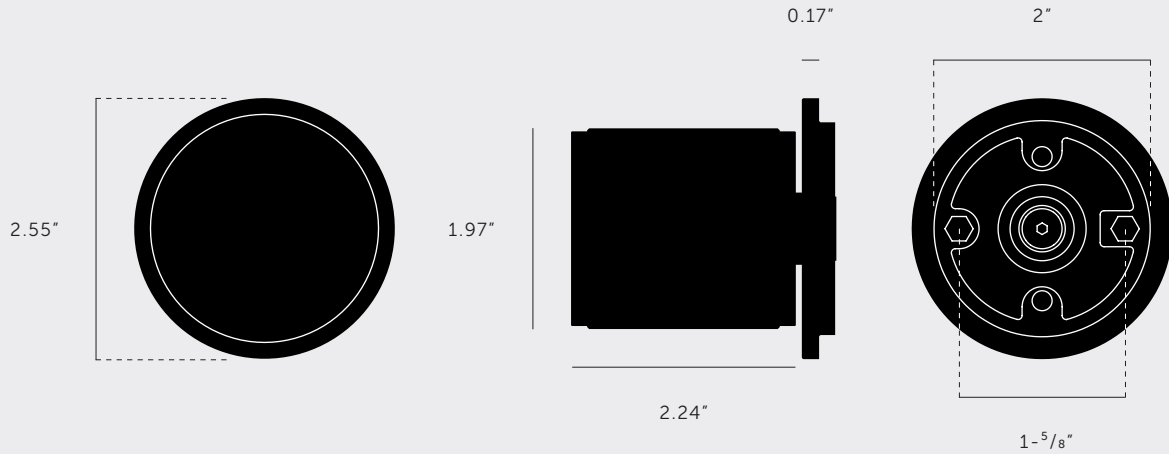
---

[ type. **PRE-DRILLED / PASSAGE.** ]

---

[ info. **MEASUREMENTS.** ]

---



---

[ info. **SPECIFICATIONS.** ]

---

A pair of unsprung solid metal door knobs, with an architectural 4 mm thick rose. Designed for installation onto a "pre-drilled" door (2" bore hole).

Designed for use with US (centre distance 41.5 mm or 1-5/8") specific latches. Compatible with either tubular latches or mortise locks.

Suitable for interior doors only.

Fits doors of minimum thickness: 1-3/8"  
(with supplied fixings\*).

\*For thicker doors, longer through bolts and a longer spindle will need to be sourced.

---

[ info. **FINISH & SKU NUMBERS.** ]

---

[ finish. ]

[ sku. ]

Steel

NDK-07246

Brass

NDK-05247

Black

NDK-02249

---

[ info. **CARE INSTRUCTIONS.** ]

---

Wipe with damp cloth with no loose hairs, avoid using any chemicals. All finishes are prone to aging.

---

[ info. **INCLUDED.** ]

---

**1 x pair of Door Knobs**

2 x M4 x 35 mm Through Bolts

1 x 8 mm x 8 mm Square Spindle

---

[ info. **RECOMMENDED.** ]

---

Purchase a tubular latch from the Buster + Punch website:

Lightly Sprung Tubular Latch, NLL-07194 (Steel)

3-3/4" Backset NLL-05195 (Brass)

NLL-02197 (Black)

---

[ please. **NOTE.** ]

---

This product is best used with a long backset (3-3/4"), lightly sprung, two-way rotating tubular latch or mortise lock.

DISCLAIMER: Always consult a trade professional when installing these door knobs. Buster + Punch is not responsible for the usage or feasibility of installation requirements.

This product is not suitable for damp or wet environments.

# BUSTER+PUNCH

LONDON

[ product.

## THUMBTURN LOCK / CROSS

[ motion. **DEADBOLT.** ]

[ action. **LOCK.** ]

[ knurl. **CROSS.** ]

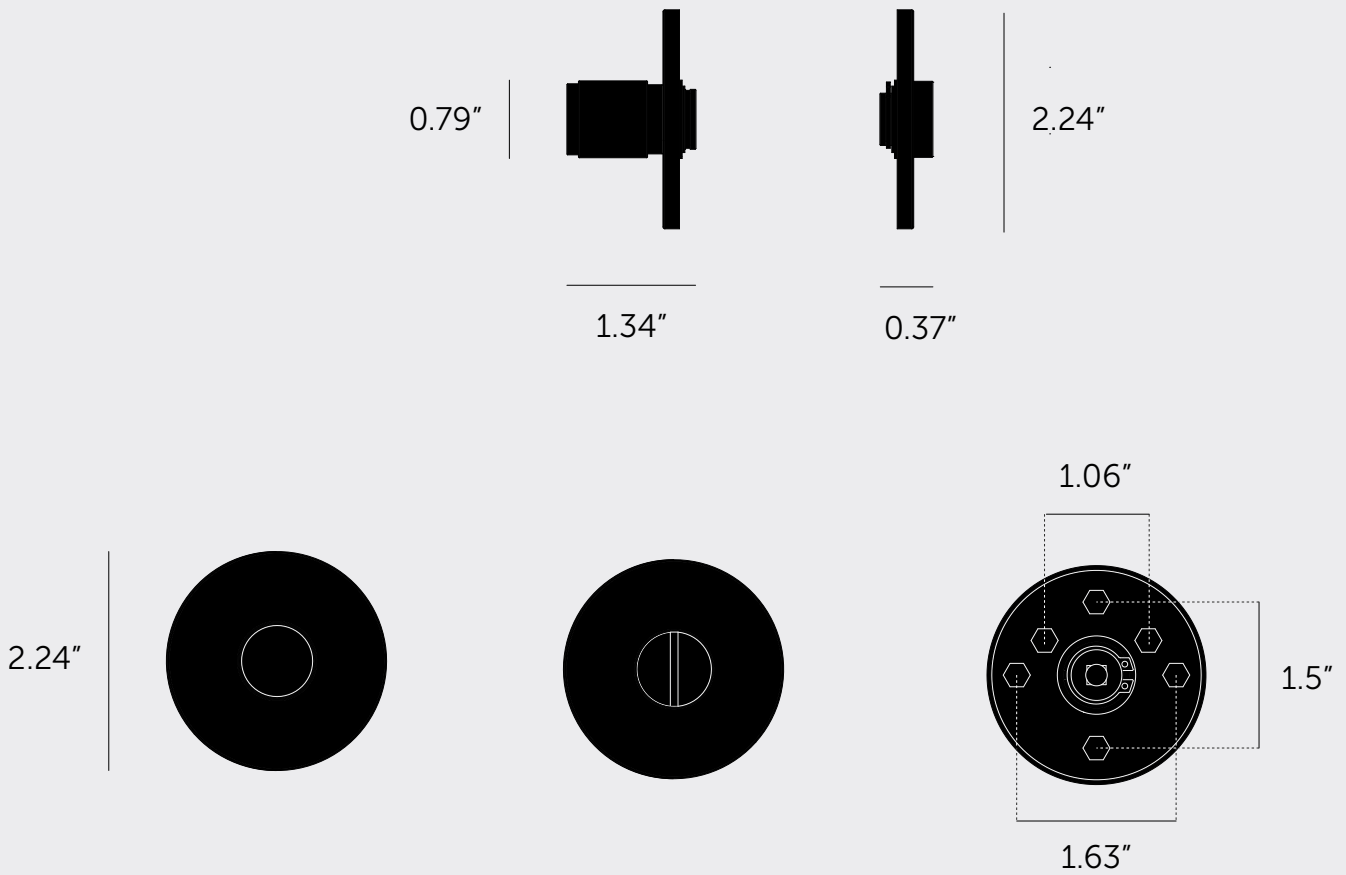
[ range. **DOOR HARDWARE.** ]

An indoor thumbturn lock made from solid metal. A solid knob with diamond-cut knurled detailing, ensuring pleasure with every touch. Works great on all internal bathroom & toilet doors and can be teamed up with our matching door lever handles. Available in four metal finishes: steel, brass, smoked bronze and black.



[ type. **THUMBTURN LOCK / 57 MM.** ]

[ info. **MEASUREMENTS.** ]



[ info. **SPECIFICATIONS.** ]

A thumbturn lock, designed for installation onto locksets or deadbolt latches with centre distance 41.5 mm or 1-5/8"). Compatible with either tubular deadbolt latches or mortise locks.

Fits doors of thickness: minimum 1-13/32" to maximum 2-9/32" (with supplied fixings\*).

\* For thicker doors, longer through bolts and a longer spindle will need to be sourced.

[ info. **FINISH & SKU NUMBERS.** ]

[ finish. ]

[ US. ]

|               |            |
|---------------|------------|
| Steel         | NLL-071501 |
| Brass         | NLL-051502 |
| Smoked Bronze | NLL-451505 |
| Black         | NLL-02409  |

[ info. **CARE INSTRUCTIONS.** ]

Wipe with damp cloth with no loose hairs, avoid using any chemicals. All finishes are prone to aging.

[ info. **INCLUDED.** ]

**1 x Thumbturn Lock Set**

8 x 4 mm Woodscrews

1 x 5 mm x 5 mm Square Spindle

[ info. **RECOMMENDED.** ]

Purchase a tubular latch from the Buster + Punch website:

Deadbolt Tubular Latch:

|       | [ 2-3/4" Backset. ] | [ 2-3/8" Backset. ] | [ 3-3/4" Backset. ] |
|-------|---------------------|---------------------|---------------------|
| Steel | NDT-071728          | NDT-071722          | NDT-071734          |
| Brass | NDT-051727          | NDT-051721          | NDT-051733          |
| Black | NDT-021730          | NDT-021724          | NDT-021736          |

[ please. **NOTE.** ]

DISCLAIMER: Always consult a trade professional when installing these thumbturn locks. Buster + Punch is not responsible for the usage or feasibility of installation requirements.