



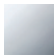


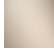


CL.1 Lavatory spout, deck-mounted without drain - Chrome

CL.1

13 715 705

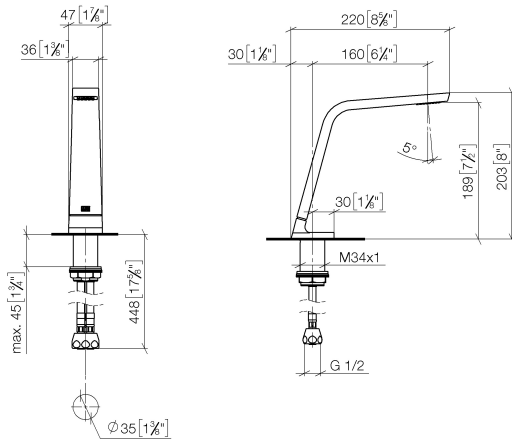


- 6-1/4" Projection
- Rigid spout
- Rectangular aerator with 40 individual streams
- Total height 8"
- Height to aerator/spout outlet 7-1/2"
- 1-3/8" hole diameter
- 2x 3/8" flexible supply lines
- 1/2" connection
- Water flow rate limited to max. 1.1 gpm
- lead-free
- This product can help a building meet the requirements of Green Building Rating Systems, e.g. LEED®, BREEAM®, DGNB

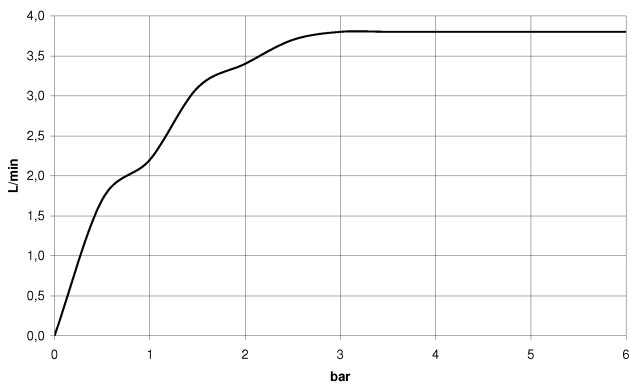
	Chrome	13 715 705-00
	Brushed Platinum	13 715 705-06
	Dark Chrome	13 715 705-19
	Brushed Champagne (22kt Gold)	13 715 705-46
	Champagne (22kt Gold)	13 715 705-47
	Brushed Dark Platinum	13 715 705-99

13 715 705

mm [inches]



Flow rate chart



Codes & Standards

ASME
A112.18.1/CSA
B125.1

California Energy
Commission
(CEC)

NSF/ANSI 372

NSF/ANSI/CAN
61

Water Sense





CL.1 Lavatory spout, deck-mounted without drain - Chrome

CL.1

13 715 705

Certificates

LGA_28

GDV_0400

IAPMO_N-4

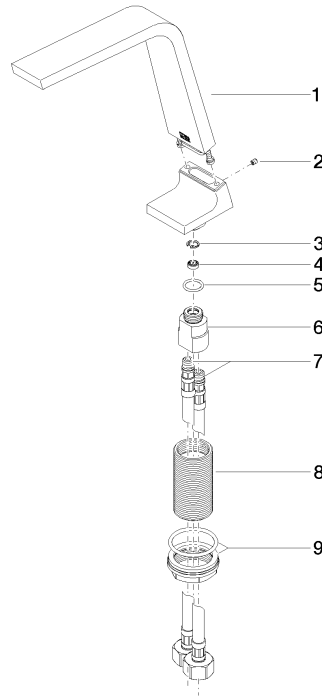
IAPMO_8834

WRAS_1512

IAPMO_6

IAPMO_4976

13 715 705



Spare parts list

Number	Item Number	Designation	Number of units	Lead time
1	90 11 70 003 00-00	Outlet complete 45 x 100 x 213 mm - Chrome	1	10
2	09 31 11 044 90	Mounting bracket Threaded pin With hex socket With cup point M4 x 5 mm -	1	2
3	09 16 01 016 90	Ring Retaining ring Ø 10 x 1 mm -	1	2
4	09 23 01 034 90	Flow limiter white 1.1 gpm -	1	2
5	09 14 10 130 90	O-Ring EPDM 70 14,0 x 2,00 mm -	1	2
6	09 11 10 055 10 90	Connection 19 x 35 x 26 mm -	1	2
7	04 30 04 019 00 90	Flexible supply line With union nut M10x1 x 1/2" x 420 mm -	2	2
8	09 30 01 208 90	Connection Ø 34 x 65 mm -	1	2
9	04 23 10 044 06 90	Mounting bracket With seals M34 x 1 -	1	2

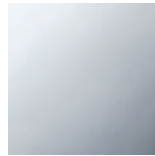


Bathtub - CL.1

Deck valve clockwise-closing cold - polished chrome

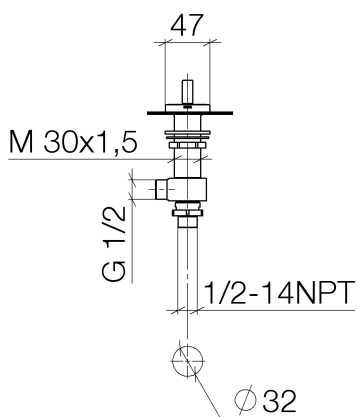
Article number: 20 004 705-00

- 1-1/4" hole diameter
- Flange 2-3/8" x 1-7/8"
- Fittings group in compliance with DIN 4109: 1
- (ADA)



polished chrome

Dimensional drawing

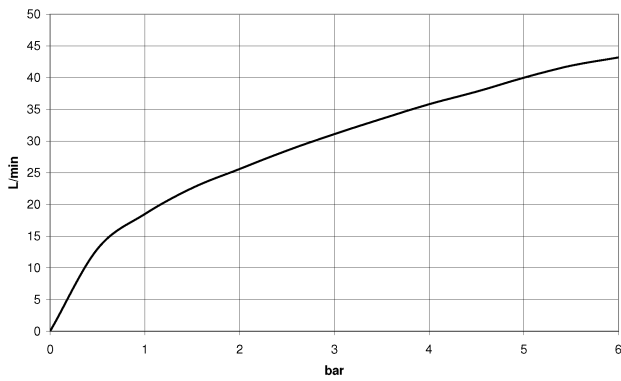


All dimensions in mm / inch = mm x 0,0394



Bathtub - CL.1
Deck valve clockwise-closing cold - polished chrome
Article number: 20 004 705-00

Flow rate chart





Bathtub - CL.1

Deck valve clockwise-closing cold - polished chrome

Article number: 20 004 705-00

Other surface finishes



platinum matte
20 004 705-06

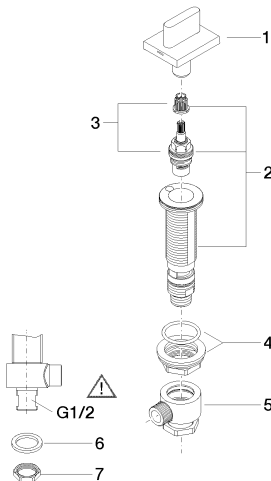


Dark Platinum matte
20 004 705-99

More custom finish options are available via special production (xTra Service). Please see our finish matrix for availability and pricing or contact a Dornbracht representative.

Spare parts list

Number	Item Number	Designation	Number of units
1	90 20 70 051 06-00	handle (cold)	1
2	04 17 11 045 53 90	side panel	1
3	90 90 03 153 00 90	top	1
4	04 23 10 032 78 90	fixing set	1
5	04 17 11 023 10 90	distributor	1
6	04 23 30 040 00-00	threaded connector	1
7	09 30 11 059 90	disc	1
8	09 23 10 012 90	nut	1



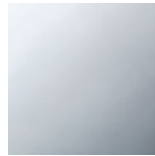


Bathtub - CL.1

Deck valve counter-clockwise closing hot - polished chrome

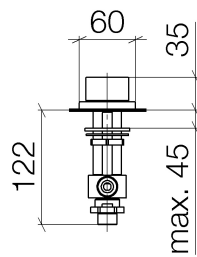
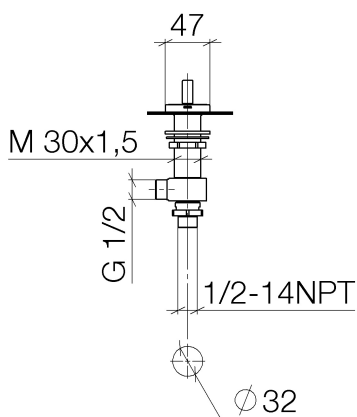
Article number: 20 004 706-00

- 1-1/4" hole diameter
- Flange 2-3/8" x 1-7/8"
- Fittings group in compliance with DIN 4109: 1
- (ADA)



polished chrome

Dimensional drawing



All dimensions in mm / inch = mm x 0,0394

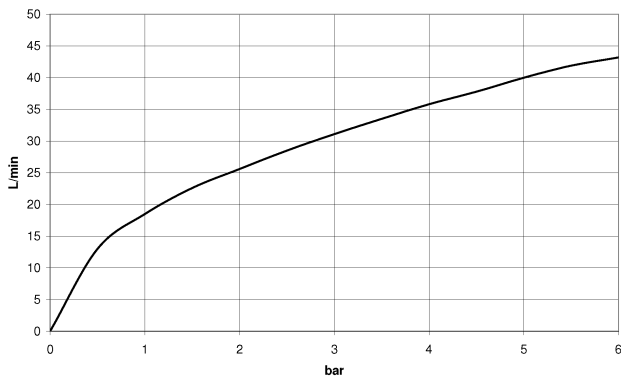


Bathtub - CL.1

Deck valve counter-clockwise closing hot - polished chrome

Article number: 20 004 706-00

Flow rate chart





Bathtub - CL.1

Deck valve counter-clockwise closing hot - polished chrome

Article number: 20 004 706-00

Other surface finishes



platinum matte
20 004 706-06



Dark Platinum matte
20 004 706-99

More custom finish options are available via special production (xTra Service). Please see our finish matrix for availability and pricing or contact a Dornbracht representative.

Spare parts list

Number	Item Number	Designation	Number of units
1	90 20 70 051 07-00	handle (hot)	1
2	04 17 11 045 52 90	side panel	1
3	90 90 03 152 00 90	top	1
4	04 23 10 032 78 90	fixing set	1
5	04 17 11 023 10 90	distributor	1
6	04 23 30 040 00-00	threaded connector	1
7	09 30 11 059 90	disc	1
8	09 23 10 012 90	nut	1

