

## SPECIFICATIONS

### DESCRIPTION

- Temperature control only
- Rough valve sold separately
- Order 1005N 3/4" thermostatic rough valve\_1005N
- Volume control(s) required

### STANDARDS

- ASME A112.18.1

### WARRANTY

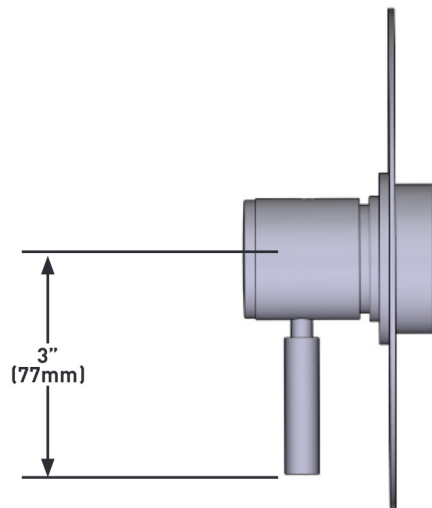
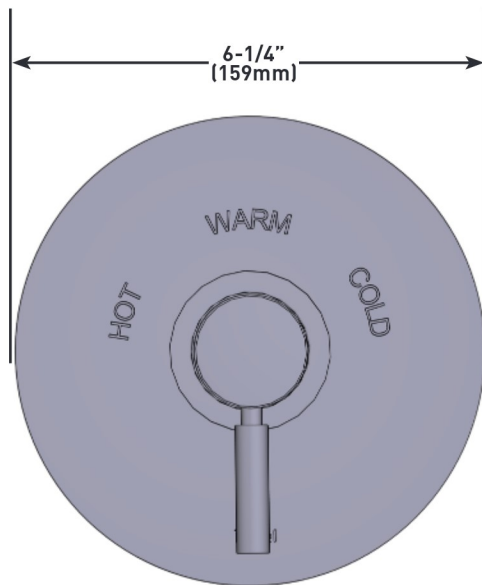
- Most products or parts carry "Limited Warranties" against manufacturing defects. For US customers please visit [houseofrohl.com/support](http://houseofrohl.com/support) and for Canadian customers please visit [houseofrohl.ca/support](http://houseofrohl.ca/support) for complete product and finish warranty.



### RIU™ 3/4" Thermostatic Trim Without Volume Control

**MODELS:** TRU13W1LM

UPC®



**For warranty or additional information, contact:**

**US Customers**

U.S.A.  
[houseofrohl.com/support](http://houseofrohl.com/support)  
1-800-777-9762

QUEBEC / MARITIMES / WESTERN CANADA  
QUÉBEC / MARITIMES / OUEST CANADIEN  
QUEBEC / MARITIMOS / CANADA OCCIDENTAL  
[houseofrohl.ca/support](http://houseofrohl.ca/support)  
1-866-473-8442

**Canadian Customers**

ONTARIO  
[houseofrohl.ca/support](http://houseofrohl.ca/support)  
1-800-287-5354

## SPECIFICATIONS

### DESCRIPTION

- 1/2" copper slip fit inlet

### STANDARDS

- ASME A112.18.1/CSA B125.1

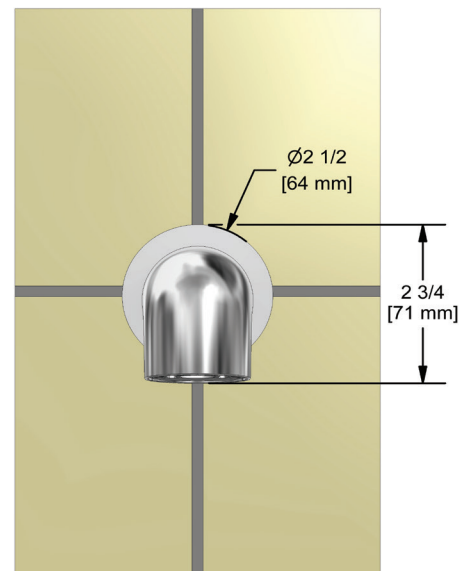
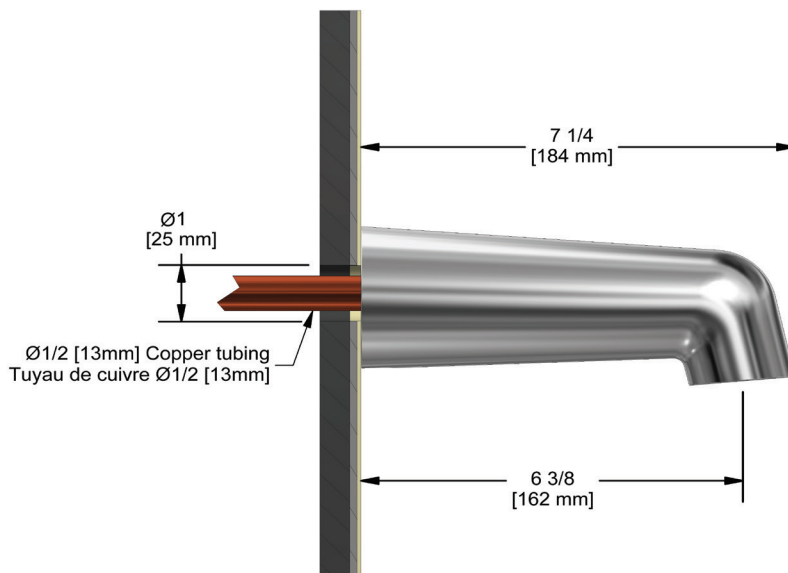
### WARRANTY

- Most products or parts carry "Limited Warranties" against manufacturing defects. For US customers please visit [houseofrohl.com/support](http://houseofrohl.com/support) and for Canadian customers please visit [houseofrohl.ca/support](http://houseofrohl.ca/support) for complete product and finish warranty.



Wall Mount Tub Spout

**MODEL:** 870



**For warranty or additional information, contact:**

U.S.A.  
[houseofrohl.com/support](http://houseofrohl.com/support)  
 1-800-777-9762

QUEBEC / MARITIMES / WESTERN CANADA  
 QUÉBEC / MARITIMES / OUEST CANADIEN  
 QUEBEC / MARITIMOS / CANADA OCCIDENTAL  
[houseofrohl.ca/support](http://houseofrohl.ca/support)  
 1-866-473-8442

ONTARIO  
[houseofrohl.ca/support](http://houseofrohl.ca/support)  
 1-800-287-5354

## SPÉCIFICATIONS

### DESCRIPTION

- Entrée d'eau 1/2" cuivre "slip fit"

### CERTIFICATION

- ASME A112.18.1/CSA B125.1

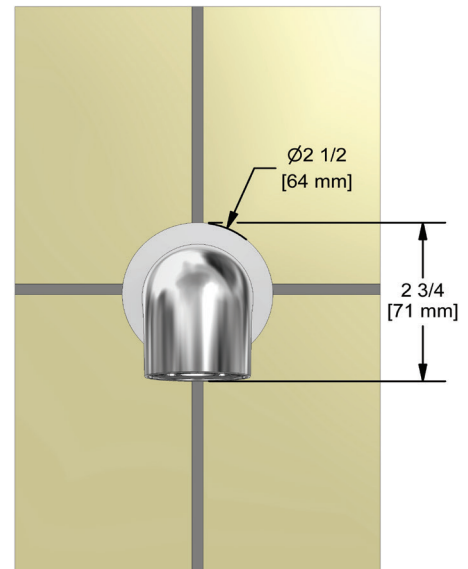
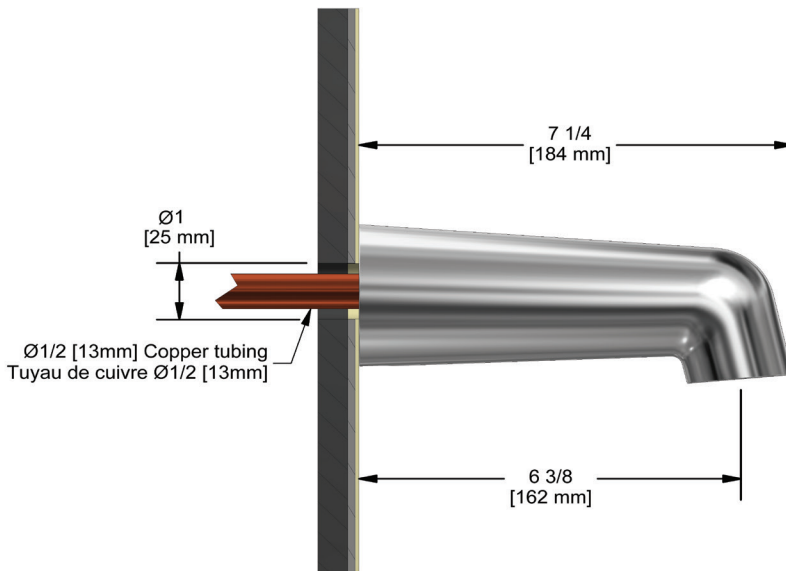
### GARANTIE

- La plupart des produits ou pièces comportent des « garanties limitées » contre les défauts de fabrication. Pour les clients américains, veuillez visiter [houseofrohl.com/support](http://houseofrohl.com/support) et pour les clients canadiens, veuillez visiter [houseofrohl.ca/support](http://houseofrohl.ca/support) pour la garantie complète du produit et du fini.



Bec de bain mural

**MODÈLES:** 870



**For warranty or additional information, contact:**

U.S.A.  
[houseofrohl.com/support](http://houseofrohl.com/support)  
 1-800-777-9762

QUEBEC / MARITIMES / WESTERN CANADA  
 QUÉBEC / MARITIMES / OUEST CANADIEN  
 QUEBEC / MARITIMOS / CANADA OCCIDENTAL  
[houseofrohl.ca/support](http://houseofrohl.ca/support)  
 1-866-473-8442

ONTARIO  
[houseofrohl.ca/support](http://houseofrohl.ca/support)  
 1-800-287-5354



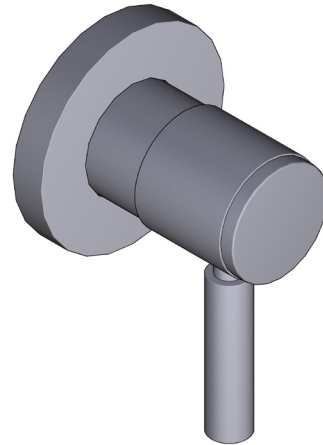
## SPECIFICATIONS

### DESCRIPTION

- Trim set with escutcheon, dome and Lever handle only
- Trim set for the R1040R ¾" volume control rough and R1062B0 4-port, 3- function dedicated diverter rough
- Must order rough to complete
- All components made of brass

### WARRANTY

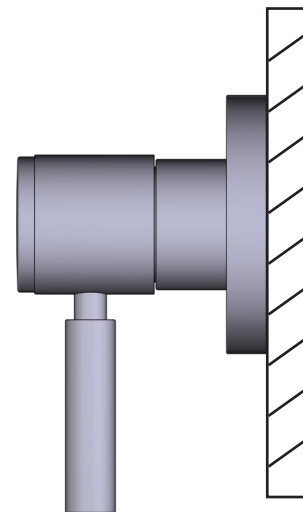
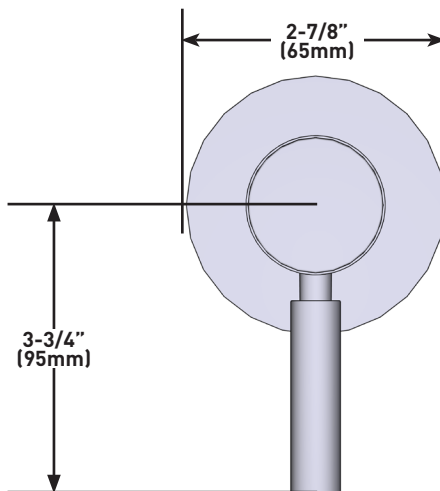
- Most products or parts carry "Limited Warranties" against manufacturing defects. For US customers please visit [houseofrohl.com/support](http://houseofrohl.com/support) and for Canadian customers please visit [houseofrohl.ca/support](http://houseofrohl.ca/support) for complete product and finish warranty.



**Amahle™ Trim for  
Volume Control And Diverter**

**MODELS:** TRU18W1LM

UPC®



**For warranty or additional information, contact:**

#### US Customers

U.S.A.  
[houseofrohl.com/support](http://houseofrohl.com/support)  
1-800-777-9762

QUEBEC / MARITIMES / WESTERN CANADA  
QUÉBEC / MARITIMOS / OUEST CANADIEN  
QUEBEC / MARITIMOS / CANADA OCCIDENTAL  
[houseofrohl.ca/support](http://houseofrohl.ca/support)  
1-866-473-8442

#### Canadian Customers

ONTARIO  
[houseofrohl.ca/support](http://houseofrohl.ca/support)  
1-800-287-5354

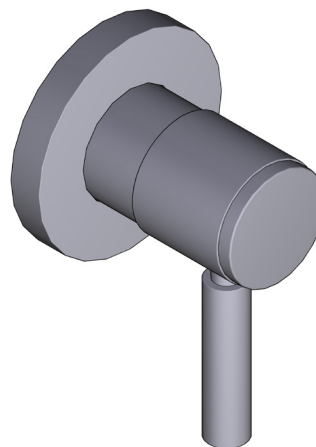
## SPÉCIFICATIONS

### DESCRIPTION

- Trousse de garniture avec rosace, dôme et poignée à manette seulement
- Trousse de garniture pour la soupape de plomberie brute de contrôle du débit de 3/4 po no R1040R, et la soupape de plomberie brute à inverseur à 3 fonctions distinctes et à 4 sorties no R1062B0 3 fonctions distinctes inverseur dédié
- Il faut commander la soupape de plomberie brute pour procéder à l'installation complète.
- Tous les composants sont en laiton.

### GARANTIE

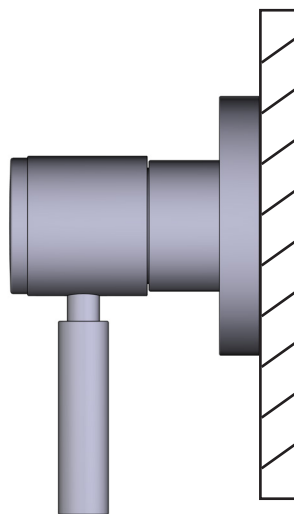
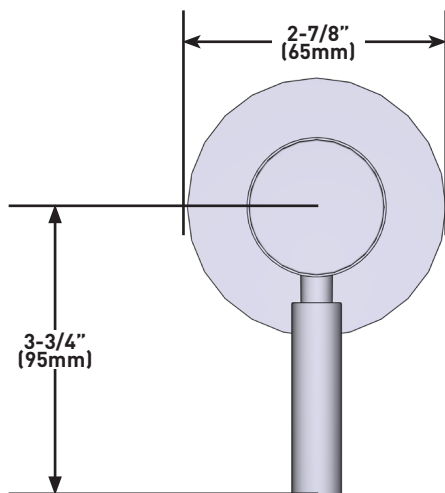
- La plupart des produits ou pièces comprend des «garanties limitées» contre les défauts de fabrication. Pour les clients des États-Unis : veuillez consulter [houseofrohl.com/support](http://houseofrohl.com/support); Pour les clients du Canada : veuillez consulter [houseofrohl.ca/support](http://houseofrohl.ca/support) pour connaître les conditions complètes de la garantie des produits et finis.



### Garniture de soupape de contrôle du débit et inverseur Amahle<sup>MC</sup>

**MODÈLES :** TRU18W1LM

UPC®



For warranty or additional information, contact:

#### US Customers

U.S.A.  
[houseofrohl.com/support](http://houseofrohl.com/support)  
1-800-777-9762

QUEBEC / MARITIMES / WESTERN CANADA  
QUÉBEC / MARITIMES / OUEST CANADIEN  
QUEBEC / MARITIMOS / CANADA OCCIDENTAL  
[houseofrohl.ca/support](http://houseofrohl.ca/support)  
1-866-473-8442

#### Canadian Customers

ONTARIO  
[houseofrohl.ca/support](http://houseofrohl.ca/support)  
1-800-287-5354

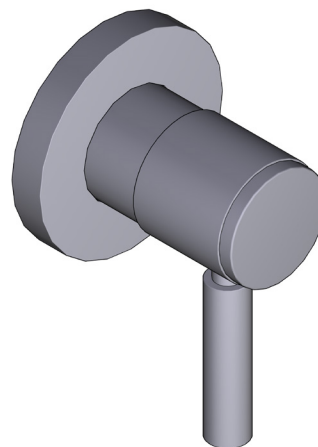
## ESPECIFICACIONES

### DESCRIPCIÓN

- El juego solo incluye la moldura, el chapetón, el domo y la manija de palanca
- Juego de molduras para control de volumen de la pieza R1040R 3/4" y válvula desviadora R1062B0 de 3 funciones y 4 puertos 3 funciones desviador dedicado
- Debe ordenar las piezas necesarias para completar la instalación
- Todos los componentes están hechos de latón

### GARANTÍA

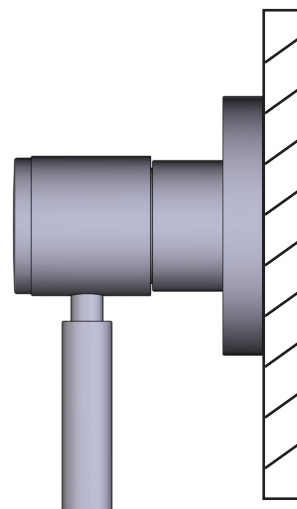
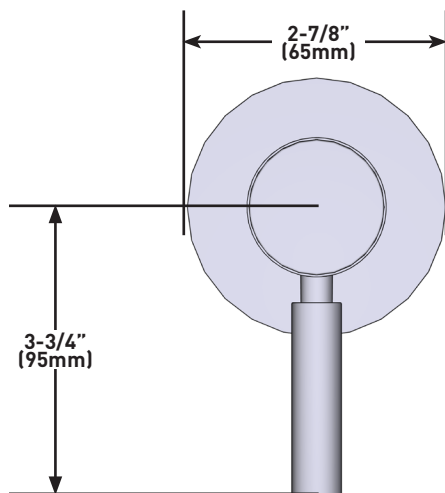
- La mayoría de los productos o piezas cuentan con "Garantías Limitadas" por defectos de fabricación. A los clientes en EE. UU. se les recomienda visitar [houseofrohl.com/support](http://houseofrohl.com/support) y a los clientes en Canadá, [houseofrohl.ca/support](http://houseofrohl.ca/support), para consultar las condiciones completas de la garantía de los productos y acabados.



### Moldura Amahle™ para control de volumen y desviador

**MODELOS:** TRU18W1LM

UPC®



For warranty or additional information, contact:

#### US Customers

U.S.A.  
[houseofrohl.com/support](http://houseofrohl.com/support)  
 1-800-777-9762

QUEBEC / MARITIMES / WESTERN CANADA  
 QUÉBEC / MARITIMES / OUEST CANADIEN  
 QUEBEC / MARITIMOS / CANADA OCCIDENTAL  
[houseofrohl.ca/support](http://houseofrohl.ca/support)  
 1-866-473-8442

#### Canadian Customers

ONTARIO  
[houseofrohl.ca/support](http://houseofrohl.ca/support)  
 1-800-287-5354

## SPECIFICATIONS

### DESCRIPTION

- 4 functions

### FLOW

- 7.6 L/min (2 gpm) (80psi) max / 5.7 L/min (1.5 gpm) (45 psi) min
- 5.7 L/min (1.5 gpm) (80psi) max / 4.2 L/min (1.1gpm) (45 psi) min [4364-15]
- 6.8L/min (1.8 gpm) (80psi) max / 5.1 L/min (1.3 gpm) (45 psi) min [4364-WS]

### STANDARDS

- ASME A112.18.1 / CSA B125.1

### WARRANTY

- Most products or parts carry "Limited Warranties" against manufacturing defects. For US customers please visit [houseofrohl.com/support](http://houseofrohl.com/support) and for Canadian customers please visit [houseofrohl.ca/support](http://houseofrohl.ca/support) for complete product and finish warranty.

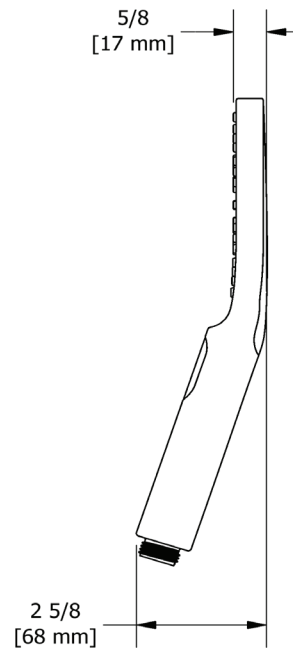
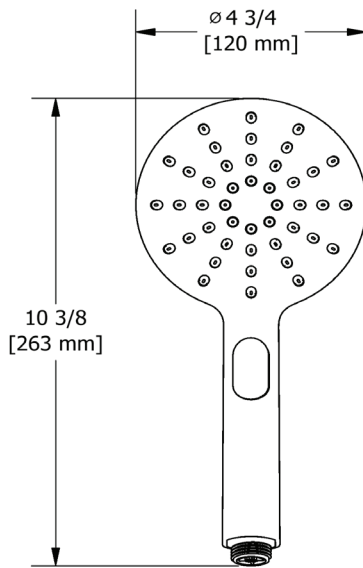


5" 4-Function Handshower

**MODELS:** 4364



UPC®



**For warranty or additional information, contact:**

**US Customers**

U.S.A.  
[houseofrohl.com/support](http://houseofrohl.com/support)  
 1-800-777-9762

QUEBEC / MARITIMES / WESTERN CANADA  
 QUÉBEC / MARITIMES / OUEST CANADIEN  
 QUEBEC / MARITIMOS / CANADA OCCIDENTAL  
[houseofrohl.ca/support](http://houseofrohl.ca/support)  
 1-866-473-8442

**Canadian Customers**

ONTARIO  
[houseofrohl.ca/support](http://houseofrohl.ca/support)  
 1-800-287-5354

## SPÉCIFICATIONS

### DESCRIPTION

- 4 fonctions

### DÉBITS DISPONIBLES

- 7.6 L/min (2 gpm) (80psi) max / 5.7 L/min (1.5 gpm) (45 psi) min
- 5.7 L/min (1.5 gpm) (80psi) max / 4.2 L/min (1.1gpm) (45 psi) min (4364-15)
- 6.8L/min (1.8 gpm) (80psi) max / 5.1 L/min (1.3 gpm) (45 psi) min (4364-WS)

### CERTIFICATIONS

- ASME A112.18.1 / CSA B125.1

### GARANTIE

- La plupart des produits ou pièces comprend des «garanties limitées» contre les défauts de fabrication. Pour les clients des États-Unis: veuillez consulter [houseofrohl.com/support](http://houseofrohl.com/support); Pour les clients du Canada : veuillez consulter [houseofrohl.ca/support](http://houseofrohl.ca/support) pour connaître les conditions complètes de la garantie des produits et finis.

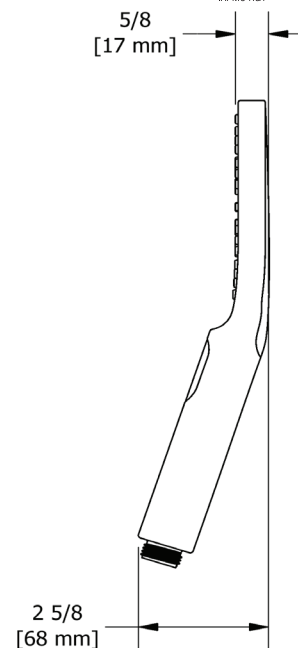
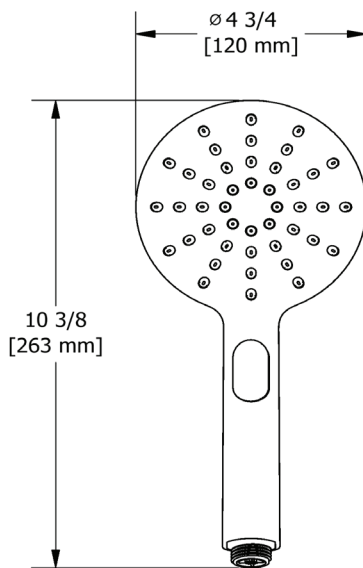


Douchette 2 jets

**MODÈLES :** 4364



UPC®



**For warranty or additional information, contact:**

#### US Customers

U.S.A.  
[houseofrohl.com/support](http://houseofrohl.com/support)  
1-800-777-9762

QUEBEC / MARITIMES / WESTERN CANADA  
QUÉBEC / MARITIMES / OUEST CANADIEN  
QUEBEC / MARITIMOS / CANADA OCCIDENTAL  
[houseofrohl.ca/support](http://houseofrohl.ca/support)  
1-866-473-8442

#### Canadian Customers

ONTARIO  
[houseofrohl.ca/support](http://houseofrohl.ca/support)  
1-800-287-5354

## ESPECIFICACIONES

### DESCRIPCIÓN

- 4 funciones

### FLUJO

- 7.6 L/min (2 gpm) (80psi) max / 5.7 L/min (1.5 gpm) (45 psi) min (4364-15)
- 5.7 L/min (1.5 gpm) (80psi) max / 4.2 L/min (1.1gpm) (45 psi) min (4364-15)
- 6.8L/min (1.8 gpm) (80psi) max / 5.1 L/min (1.3 gpm) (45 psi) min (4364-WS)

### ESTÁNDARES

- ASME A112.18.1 / CSA B125.1

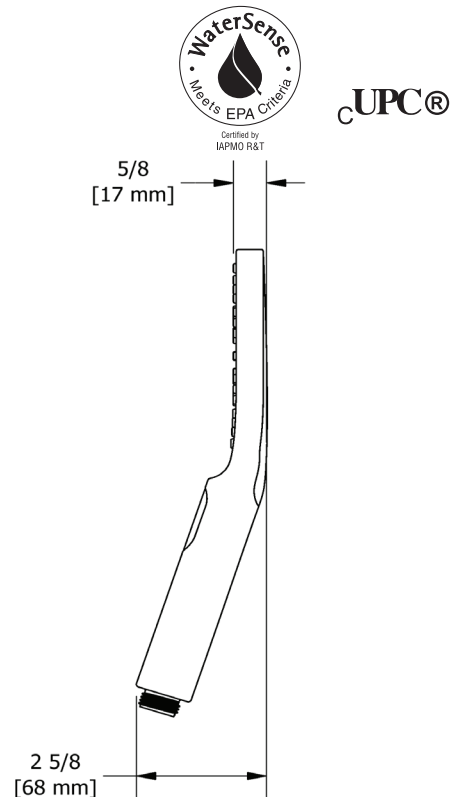
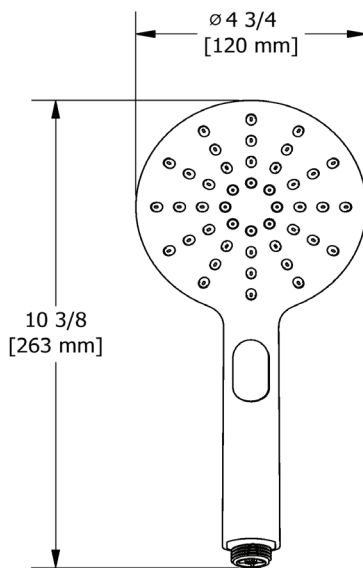
### GARANTÍA

- La mayoría de los productos o piezas cuentan con "Garantías Limitadas" por defectos de fabricación. A los clientes en EE. UU. se les recomienda visitar [houseofrohl.com/support](http://houseofrohl.com/support) y a los clientes en Canadá, [houseofrohl.ca/support](http://houseofrohl.ca/support), para consultar las condiciones completas de la garantía de los productos y acabados.



Regadera de mano de 2 chorros

**MODELOS:** 4364



**For warranty or additional information, contact:**

#### US Customers

U.S.A.  
[houseofrohl.com/support](http://houseofrohl.com/support)  
1-800-777-9762

QUEBEC / MARITIMES / WESTERN CANADA  
QUÉBEC / MARITIMES / OUEST CANADIEN  
QUEBEC / MARITIMOS / CANADA OCCIDENTAL  
[houseofrohl.ca/support](http://houseofrohl.ca/support)  
1-866-473-8442

#### Canadian Customers

ONTARIO  
[houseofrohl.ca/support](http://houseofrohl.ca/support)  
1-800-287-5354

## SPECIFICATIONS

### DESCRIPTION

- Adjustable

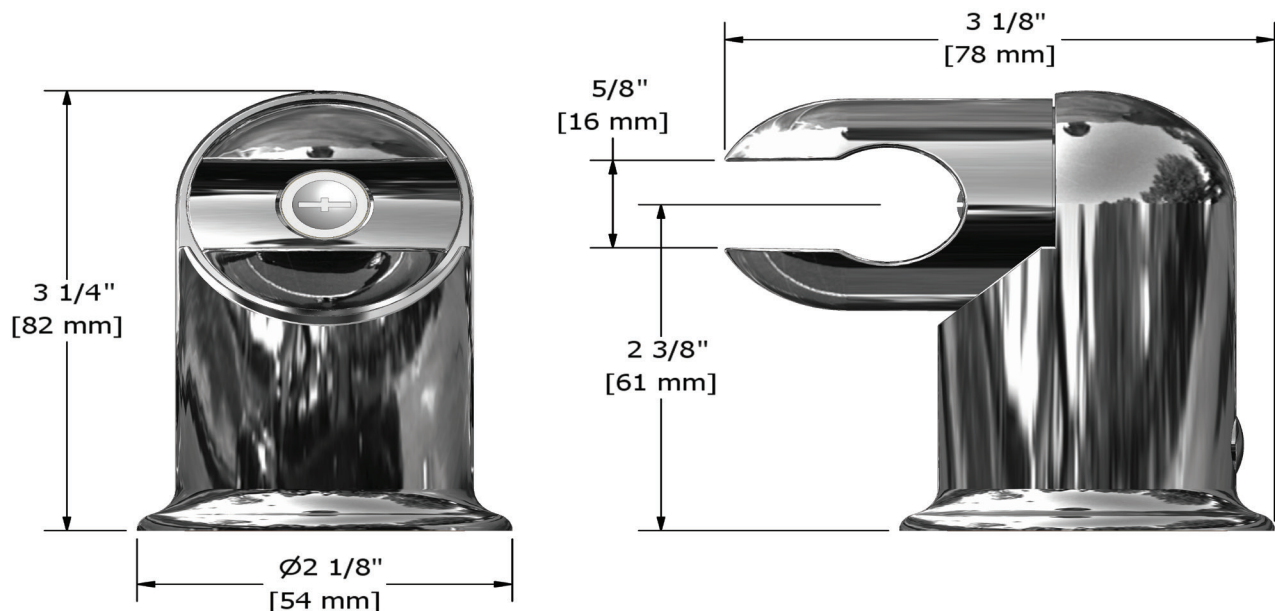
### WARRANTY

- Most products or parts carry "Limited Warranties" against manufacturing defects. For US customers please visit [houseofrohl.com/support](http://houseofrohl.com/support) and for Canadian customers please visit [houseofrohl.ca/support](http://houseofrohl.ca/support) for complete product and finish warranty.



### Wall Mount Handshower Holder

**MODEL:** 4903



**For warranty or additional information, contact:**

U.S.A.  
[houseofrohl.com/support](http://houseofrohl.com/support)  
 1-800-777-9762

QUEBEC / MARITIMES / WESTERN CANADA  
 QUÉBEC / MARITIMES / OUEST CANADIEN  
 QUEBEC / MARITIMOS / CANADA OCCIDENTAL  
[houseofrohl.ca/support](http://houseofrohl.ca/support)  
 1-866-473-8442

ONTARIO  
[houseofrohl.ca/support](http://houseofrohl.ca/support)  
 1-800-287-5354

## SPÉCIFICATIONS

### LA DESCRIPTION

- Ajustable

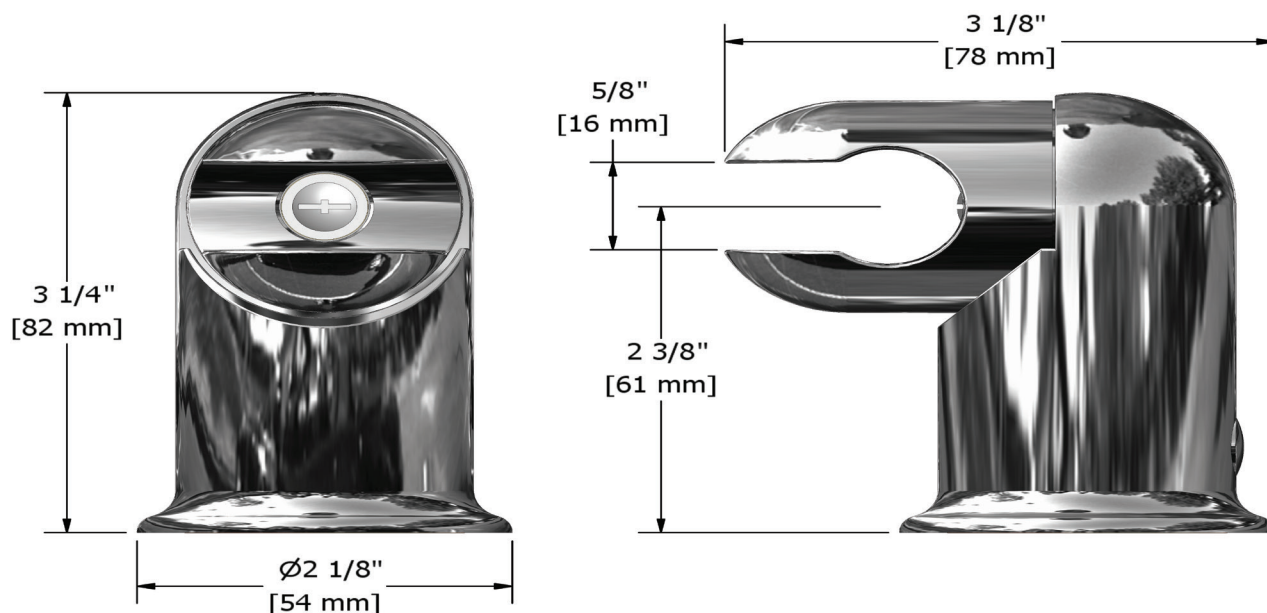
### GARANTIE

- La plupart des produits ou pièces comportent des « garanties limitées » contre les défauts de fabrication. Pour les clients américains, veuillez visiter [houseofrohl.com/support](http://houseofrohl.com/support) et pour les clients canadiens, veuillez visiter [houseofrohl.ca/support](http://houseofrohl.ca/support) pour la garantie complète du produit et du fini.



### Support de douchette mural

**MODÈLES:** 4903



**For warranty or additional information, contact:**

U.S.A.  
[houseofrohl.com/support](http://houseofrohl.com/support)  
 1-800-777-9762

QUEBEC / MARITIMES / WESTERN CANADA  
 QUÉBEC / MARITIMES / OUEST CANADIEN  
 QUEBEC / MARITIMOS / CANADA OCCIDENTAL  
[houseofrohl.ca/support](http://houseofrohl.ca/support)  
 1-866-473-8442

ONTARIO  
[houseofrohl.ca/support](http://houseofrohl.ca/support)  
 1-800-287-5354

## ESPECIFICACIONES

### DESCRIPCIÓN

- Ajustable

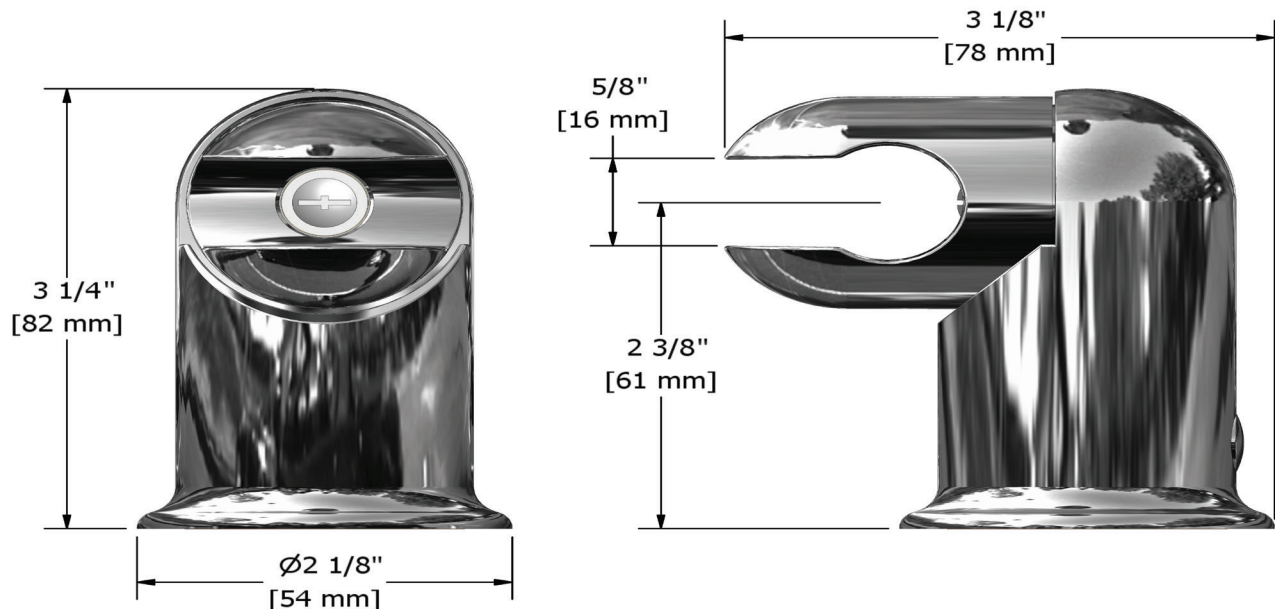
### GARANTÍA

- La mayoría de los productos o piezas cuentan con "Garantías limitadas" contra defectos de fabricación. Para los clientes de EE. UU., visite [houseofrohl.com/support](http://houseofrohl.com/support) y para los clientes canadienses, visite [houseofrohl.ca/support](http://houseofrohl.ca/support) para conocer la garantía completa del producto y el acabado.



### Soporte de ducha de mano para montaje en pared

**MODELOS:** 4903



**For warranty or additional information, contact:**

U.S.A.  
[houseofrohl.com/support](http://houseofrohl.com/support)  
 1-800-777-9762

QUEBEC / MARITIMES / WESTERN CANADA  
 QUÉBEC / MARITIMES / OUEST CANADIEN  
 QUEBEC / MARITIMOS / CANADA OCCIDENTAL  
[houseofrohl.ca/support](http://houseofrohl.ca/support)  
 1-866-473-8442

ONTARIO  
[houseofrohl.ca/support](http://houseofrohl.ca/support)  
 1-800-287-5354



150 cm (59") double interlock flexible hose, swivel  
and 2 check valves  
**7259**



## Specifications

### Descriptions

- 150 cm (59") double interlock flexible hose, swivel and 2 check valves
- Conical nut ½" female

### Available colors

- C : Chrome
- BN : Brushed Nickel (PVD)
- PN : Polished Nickel (PVD)

### Certifications

- CSA B125.1
- ASME A112.18.1
- CMR248 Approval

UPC®

## Warranty

This **Riobel Inc.** product you have purchased carries a Limited Lifetime Warranty on the chrome, PVD finish, blacks and all working parts and is guaranteed from the initial purchase date against all manufacturing defects. All other finishes, including plastic components, are guaranteed for one year. All electric and/or electronic parts are covered by a 5-year limited warranty.

## Customer Service

Ontario, West Canada : 888-287-5354 Quebec, Maritimes, United States : 866-473-8442

2020.11.06

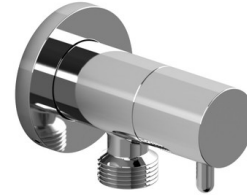
## SPECIFICATIONS

### DESCRIPTION

- 1/2" outlet male; 1/2" inlet female NPT
- Adjustable

### WARRANTY

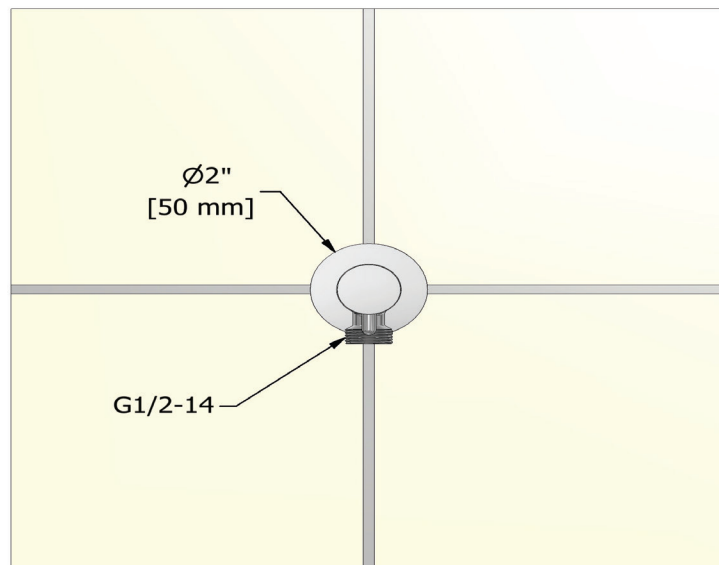
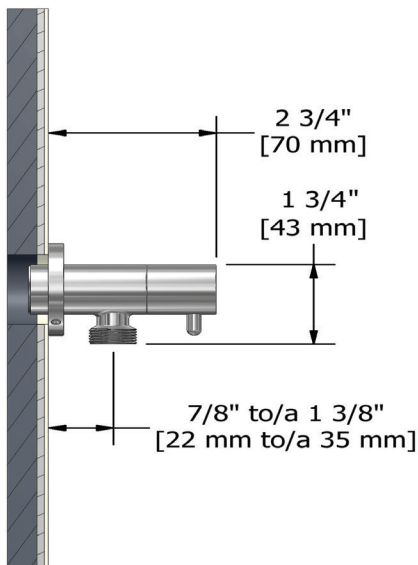
- Most products or parts carry "Limited Warranties" against manufacturing defects. For US customers please visit [houseofrohl.com/support](http://houseofrohl.com/support) and for Canadian customers please visit [houseofrohl.ca/support](http://houseofrohl.ca/support) for complete product and finish warranty.



### Handshower Outlet With Integrated Volume Control

**MODEL:** 790

UPC®



**For warranty or additional information, contact:**

U.S.A.  
[houseofrohl.com/support](http://houseofrohl.com/support)  
1-800-777-9762

QUEBEC / MARITIMES / WESTERN CANADA  
QUÉBEC / MARITIMES / OUEST CANADIEN  
QUEBEC / MARITIMOS / CANADA OCCIDENTAL  
[houseofrohl.ca/support](http://houseofrohl.ca/support)  
1-866-473-8442

ONTARIO  
[houseofrohl.ca/support](http://houseofrohl.ca/support)  
1-800-287-5354

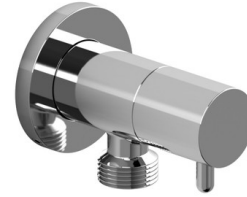
## SPÉCIFICATIONS

### LA DESCRIPTION

- Sortie 1/2" mâle ; Entrée 1/2" femelle NPT
- Ajustable

### GARANTIE

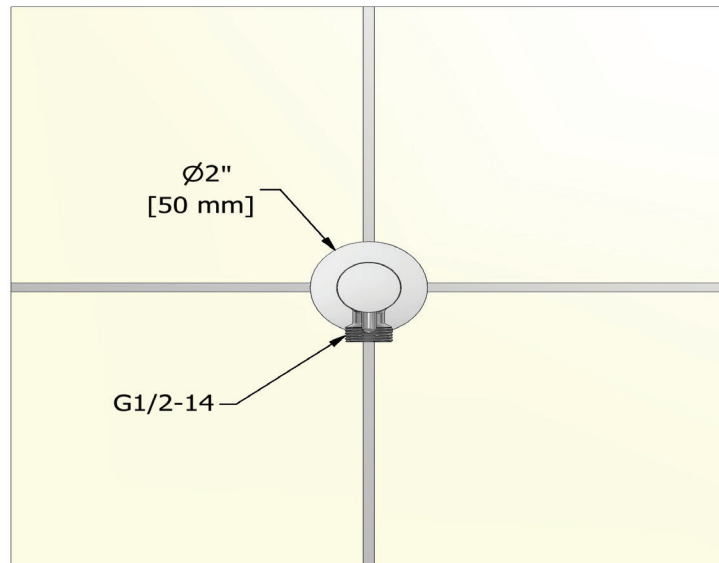
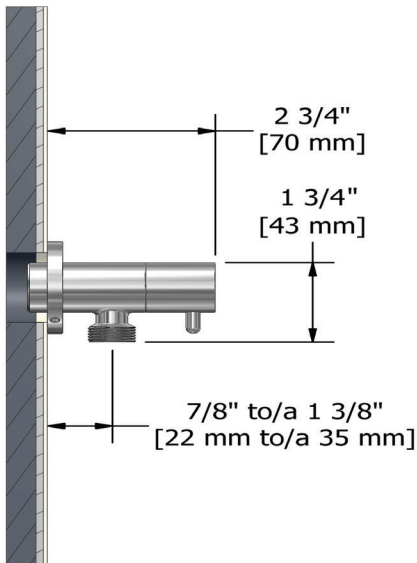
- La plupart des produits ou pièces comportent des « garanties limitées » contre les défauts de fabrication. Pour les clients américains, veuillez visiter [houseofrohl.com/support](http://houseofrohl.com/support) et pour les clients canadiens, veuillez visiter [houseofrohl.ca/support](http://houseofrohl.ca/support) pour la garantie complète du produit et du fini.



### Sortie de douchette avec contrôle de volume intégré

**MODÈLES:** 790

UPC®



**For warranty or additional information, contact:**

U.S.A.  
[houseofrohl.com/support](http://houseofrohl.com/support)  
1-800-777-9762

QUEBEC / MARITIMES / WESTERN CANADA  
QUÉBEC / MARITIMES / OUEST CANADIEN  
QUEBEC / MARITIMOS / CANADA OCCIDENTAL  
[houseofrohl.ca/support](http://houseofrohl.ca/support)  
1-866-473-8442

ONTARIO  
[houseofrohl.ca/support](http://houseofrohl.ca/support)  
1-800-287-5354

## ESPECIFICACIONES

### DESCRIPCIÓN

- Salida 1/2" macho; Entrada de 1/2" hembra NPT
- Ajustable

### GARANTÍA

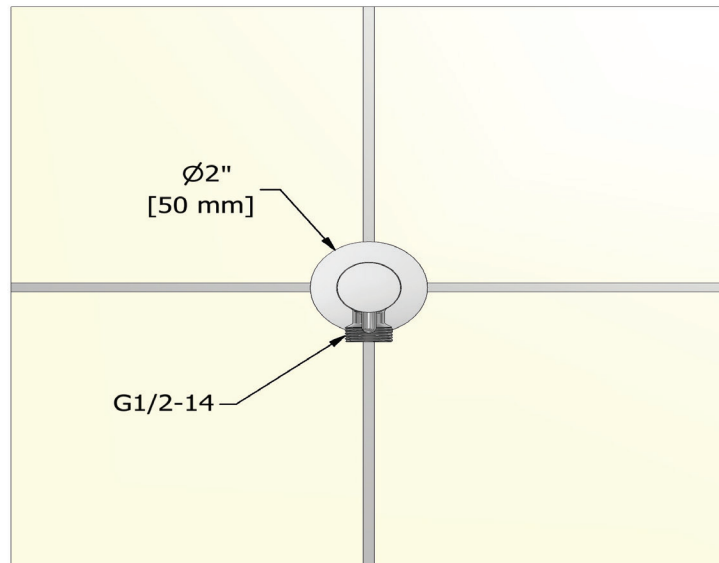
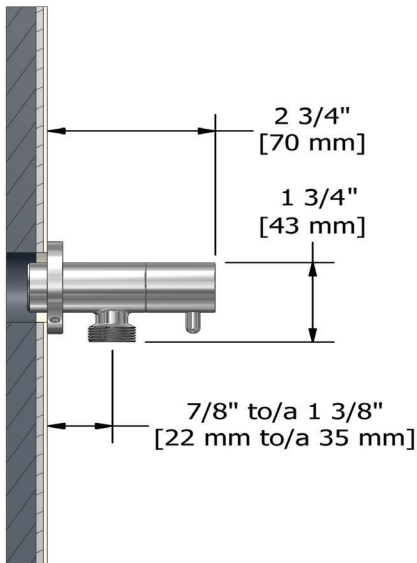
- La mayoría de los productos o piezas cuentan con "Garantías limitadas" contra defectos de fabricación. Para los clientes de EE. UU., visite [houseofrohl.com/support](http://houseofrohl.com/support) y para los clientes canadienses, visite [houseofrohl.ca/support](http://houseofrohl.ca/support) para conocer la garantía completa del producto y el acabado.



### Salida de ducha de mano con control de volumen integrado

**MODELOS:** 790

UPC®



**For warranty or additional information, contact:**

U.S.A.  
[houseofrohl.com/support](http://houseofrohl.com/support)  
1-800-777-9762

QUEBEC / MARITIMES / WESTERN CANADA  
QUÉBEC / MARITIMES / OUEST CANADIEN  
QUEBEC / MARITIMOS / CANADA OCCIDENTAL  
[houseofrohl.ca/support](http://houseofrohl.ca/support)  
1-866-473-8442

ONTARIO  
[houseofrohl.ca/support](http://houseofrohl.ca/support)  
1-800-287-5354