

29 137

# GROHTHERM® SMARTCONTROL

## DUAL FUNCTION THERMOSTATIC VALVE TRIM WITH CONTROL MODULE

Pure Freude  
an Wasser



### STANDARD SPECIFICATION:

- GROHE StarLight®
- GROHE SmartControl®: push for ON-OFF, turn for volume adjustment from EcoJoy™ to Full Flow, exchangeable symbols
- GROHE TurboStat® compact 3/4" cartridge with wax thermo element
- GROHE SafeStop safety button with manual override at 100°F/38°C
- GROHE SafeStop Plus temperature limiter at 115° F/46° C
- Multiple outlets can be run simultaneously
- 6 1/4" Metal wall escutcheon with GROHE QuickFix®
- 3/8" Thin profile escutcheon
- Wall plate is angle adjustable up to 6°
- Optional flow reducer for CALGreen compliance included (Note: Cannot be used for shower systems that include tub spout)
- Built-in check valve with dirt strainer
- Includes icons to customize push buttons: Hand Shower, Showerhead & Bath Filler
- Includes service stops
- Maximum combined flow performance: 7.7gpm (29L/min) @ 43.5psi (3 bar)
- Requires Grohtherm® Rapido® SmartBox (35 601) (sold separately)



### PRODUCT FEATURES:

-  GROHE StarLight®
-  GROHE TurboStat®
-  GROHE QuickFix®
-  GROHE SmartControl®
-  GROHE SafeStopPlus

### CERTIFICATIONS:

- Massachusetts Plumbing Board Approved
- ASSE 1016
- CSA B125.1
- CSA B125.16
- ASME A112.18.1
- ASME A112.1016

### AVAILABLE FINISHES:

- 29137000**  GROHE StarLight® Chrome
- 29137A00**  Hard Graphite
- 29137BE0**  Polished Nickel InfinityFinish™
- 29137EN0**  Brushed Nickel InfinityFinish™
- 29137GN0**  Brushed Cool Sunrise

NOTE: Install this product according to the installation guide. ADA, CSA compliant when installed to the specific requirements of these regulations.

We reserve the right to make revisions without notice to product specifications. 12-09-2021

**US**  
Tel: 1.630.582.7711 Fax: 1.630.582.7722  
For the most current Specification Sheet,  
go to [www.grohe.us](http://www.grohe.us).

**Canada**  
Tel: 1.888.644.7643 Fax: 1.905.366.2071  
For the most current Specification Sheet,  
go to [www.grohe.ca](http://www.grohe.ca).

PART OF **LIXIL**

29 137

# GROHTHERM® SMARTCONTROL

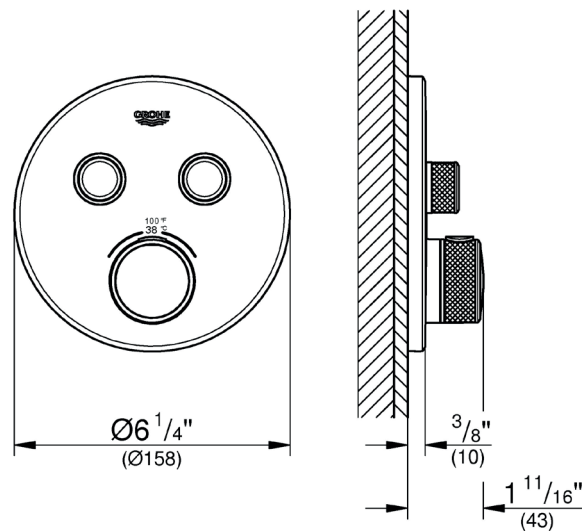
DUAL FUNCTION THERMOSTATIC VALVE  
TRIM WITH CONTROL MODULE

Pure Freude  
an Wasser



## TECHNICAL DATA:

Product Height	6-1/4 in
Product Length	1-11/16 in
Product Width	6-1/4 in



27 412

**RELEXA®**

6 1/4" SHOWER ARM

Pure Freude  
an Wasser



**STANDARD SPECIFICATION:**

- GROHE StarLight®
- 1/2" NPT Male threads



**PRODUCT FEATURES:**



GROHE StarLight®

**CERTIFICATIONS:**

- Massachusetts Plumbing Board Approved
- CSA B125.1
- ASME A112.18.1

**AVAILABLE FINISHES:**

27412000		GROHE StarLight® Chrome
27412A00		Hard Graphite
27412BE0		Polished Nickel InfinityFinish™
27412EN0		Brushed Nickel InfinityFinish™
27412GN0		Brushed Cool Sunrise

NOTE: Install this product according to the installation guide. ADA, CSA compliant when installed to the specific requirements of these regulations.

Tel: 1.630.582.7711 Fax: 1.630.582.7722  
We reserve the right to make revisions without notice to product specifications.  
For the most current Specification Sheet, go to [www.grohe.us](http://www.grohe.us).  
10-21-2021

PART OF **LIXIL**

27 412

**RELEXA®**

6 1/4" SHOWER ARM

Pure Freude  
an Wasser

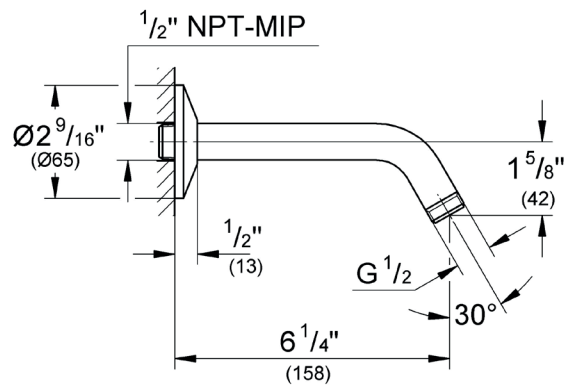


**TECHNICAL DATA:**

Product Height 3-9/16 in

Product Length 4-15/17 in

Product Width 2-9/16 in



RELEXA  
6 5/8" Tubular Shower Arm  
MODEL # 27412000

Pure Freude  
an Wasser

GROHE



**Product Description:**

RELEXA

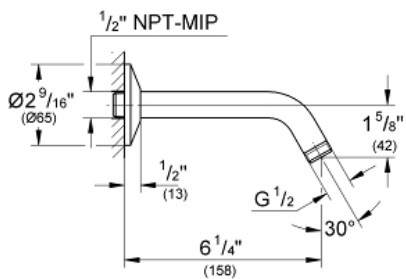
6 5/8" Tubular Shower Arm

**Standard Specification:**

- GROHE StarLight chrome finish

**Color:**

- 27412000 StarLight Chrome



# 13 274

## CONCETTO™

### TUB SPOUT

Pure Freude  
an Wasser



#### STANDARD SPECIFICATION:

- GROHE StarLight®
- 6 11/16" Spout reach
- Wall mount
- 1/2" Inlet



#### PRODUCT FEATURES:








GROHE StarLight®

#### CERTIFICATIONS:

- Massachusetts Plumbing Board Approved
- Energy Policy Act of 1992
- CSA B125.1
- ASME A112.18.1

#### AVAILABLE FINISHES:

- 13274001**  GROHE StarLight® Chrome
- 132742431**  Matte Black
- 13274A01**  Hard Graphite
- 13274EN1**  Brushed Nickel InfinityFinish™
- 13274GN1**  Brushed Cool Sunrise

NOTE: Install this product according to the installation guide. ADA, CSA compliant when installed to the specific requirements of these regulations.

We reserve the right to make revisions without notice to product specifications. 06-03-2022

**US**  
Tel: 1.630.582.7711 Fax: 1.630.582.7722  
For the most current Specification Sheet,  
go to [www.grohe.us](http://www.grohe.us).

**Canada**  
Tel: 1.888.644.7643 Fax: 1.905.366.2071  
For the most current Specification Sheet,  
go to [www.grohe.ca](http://www.grohe.ca).

PART OF **LIXIL**

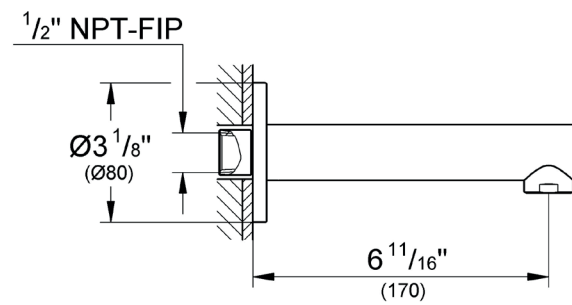
13 274  
**CONCETTO™**  
TUB SPOUT

Pure Freude  
an Wasser



**TECHNICAL DATA:**

Product Height	3-1/8 in
Product Width	3-1/8 in
Fitting Spout Reach	6-11/16 in

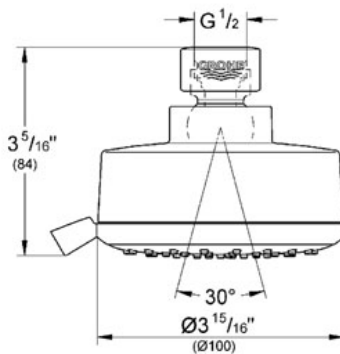


NEW TEMPESTA  
COSMOPOLITAN 100  
Head shower 4 sprays  
MODEL # 26043

Pure Freude an Wasser

GROHE

GROHE America, Inc | 200 North Gary Avenue, Suite G, Roselle, IL 60172  
Phone: +1 (800) 444-7643 | Fax: +1 (800) 225-2778 | us-customerservice@grohe.com



**Product Description:**  
Head shower 4 sprays

**Standard Specification:**

- GROHE StarLight® finish
- GROHE DreamSpray® perfect spray pattern
- GROHE EcoJoy® technology for less water and perfect flow
- SpeedClean anti-lime system
- Inner WaterGuide for a longer life
- GROHE Rain O2, Rain
- Rotating ball joint  $\pm 15^\circ$
- Suitable for instantaneous heater
- Blister pack
- Min. recommended pressure 14.5 PSI
- Max Flow Rate: 2.0 gpm
- Massage, Jet

**Applicable Codes & Standards:**

- Energy Policy Act of 1992
- ASME A112.18.1/CSA B125.1

**Color:**

- 26043 000 chrome
- 26043 EN0 Brushed Nickel

35 601

## RAPIDO® SMARTBOX

### UNIVERSAL ROUGH-IN BOX

Pure Freude  
an Wasser



#### STANDARD SPECIFICATION:

- 3 Outlets 1/2" female NPT
- 2 Inlets below, 1/2" female NPT
- Installation depth 3"-4 1/8" (75-105mm)
- Connection unit in DR brass
- Includes integrated pre-mounted flushing plug
- Stable built-in box / protective cover
- Leak-proof housing
- Service Stops for maintenance of cartridge included with the trim
- Mounting options for solid walls and dry walls
- Trim sold separately



#### PRODUCT FEATURES:

#### CERTIFICATIONS:

- Massachusetts Plumbing Board Approved
- ASSE 1016
- CSA B125.1
- CSA B125.16
- ASME A112.18.1
- ASME A112.1016

#### AVAILABLE FINISHES:

**35601000** No Finish

NOTE: Install this product according to the installation guide. ADA, CSA compliant when installed to the specific requirements of these regulations.

We reserve the right to make revisions without notice to product specifications. 01-21-2022

#### US

Tel: 1.630.582.7711 Fax: 1.630.582.7722  
For the most current Specification Sheet,  
go to [www.grohe.us](http://www.grohe.us).

#### Canada

Tel: 1.888.644.7643 Fax: 1.905.366.2071  
For the most current Specification Sheet,  
go to [www.grohe.ca](http://www.grohe.ca).

PART OF **LIXIL**

35 601

# RAPIDO® SMARTBOX

## UNIVERSAL ROUGH-IN BOX

Pure Freude  
an Wasser



### TECHNICAL DATA:

Product Height 5-11/16 in

Product Length 4-1/8 in

Product Width 6-15/16 in

