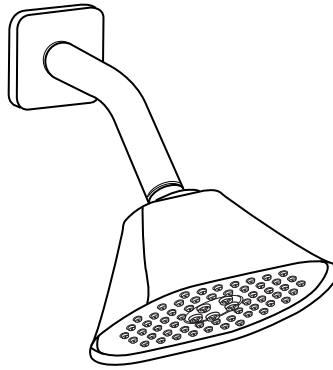


# INSTALLATION INSTRUCTIONS



## Showerhead

### For all Models



Thank you for selecting DXV. To ensure that your installation proceeds smoothly, please read these instructions carefully before you begin.

#### RECOMMENDED TOOLS AND MATERIALS

Most of the procedures require the use of common tools and materials, which are available from hardware and plumbing supply stores. It is essential that the tools and materials be on hand before work is begun.



Channel Locks



Adjustable Wrench



Teflon Tape



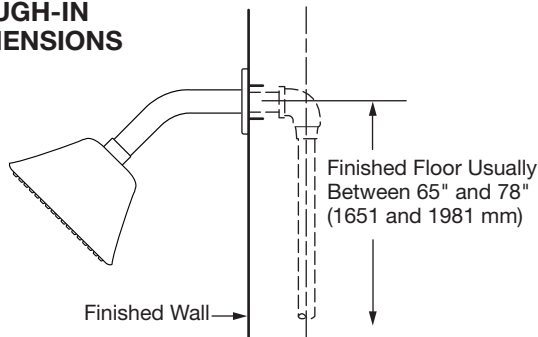
Plumbers' Grease

#### CARE AND CLEANING

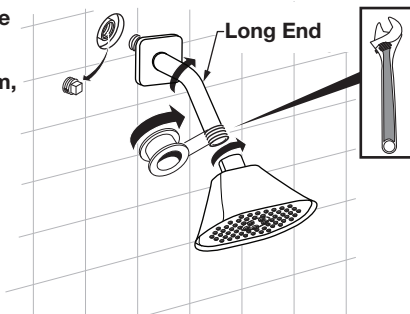
**Do:** Simply rinse the product clean with clear water, dry with a soft cotton flannel cloth.

**Do Not:** Clean the product with soaps, acid, polish, abrasives, harsh cleaners, or a cloth with a coarse surface.

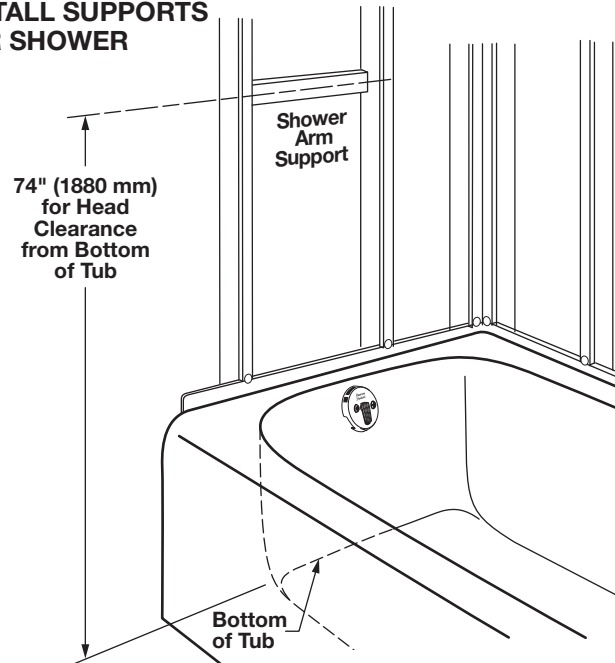
#### ROUGH-IN DIMENSIONS



Apply Sealing Tape to all Threaded Connections. Install Shower Arm, Showerhead



#### INSTALL SUPPORTS FOR SHOWER



#### In the United States:

DXV  
One Centennial Avenue  
Piscataway, New Jersey 08855  
Attention: Director of Customer Care

For residents of the United States, warranty information may also be obtained by calling the following toll free number: (800) 227-2734  
[www.DXV.com](http://www.DXV.com)

#### In Canada:

DXV  
5900 Avebury Road  
Mississauga, Ontario  
L5R 3M3  
Canada

Toll Free: 1-800-387-0369  
Local: 905-306-1093  
Fax: 1-800-395-1498  
[www.DXV.ca](http://www.DXV.ca)

#### In Mexico:

DXV  
Via Morelos 330  
Col. Santa Clara Coatitla  
Ecatepec, Estado de México 55540

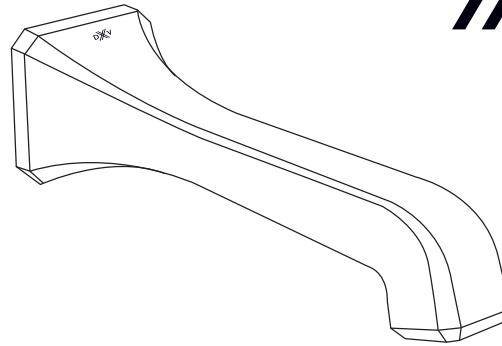
Toll Free: 01-800-8391200  
[www.DXV.mx](http://www.DXV.mx)

SAVE FOR FUTURE USE

# INSTALLATION INSTRUCTIONS



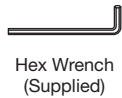
## DXV Belshire™ Wall Tub Spout Model D35170760



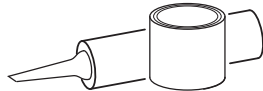
Thank you for selecting DXV. To ensure that your installation proceeds smoothly, please read these instructions carefully before you begin.

### RECOMMENDED TOOLS AND MATERIALS

Most of the procedures require the use of common tools and materials, which are available from hardware and plumbing, supply stores. It is essential that the tools and materials be on hand before work is begun.



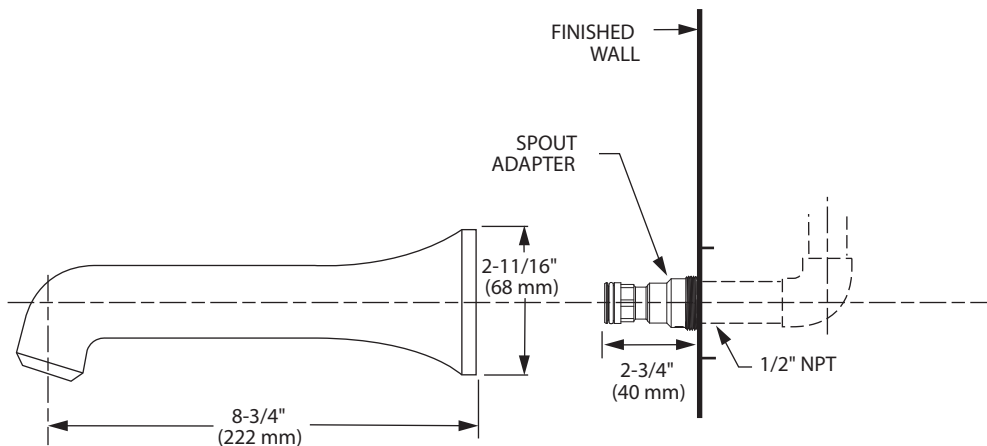
Hex Wrench  
(Supplied)



Plumbers' Putty or Caulking

### ROUGHING-IN DIMENSIONS:

- For reference



#### In the United States:

DXV  
One Centennial Avenue  
Piscataway, New Jersey 08855  
Attention: Director of Customer Care

For residents of the United States, warranty information may also be obtained by calling the following toll free number: (800) 227-2734  
[www.DXV.com](http://www.DXV.com)

#### In Canada:

DXV  
5900 Avebury Road  
Mississauga, Ontario  
L5R 3M3  
Canada

Toll Free: 1-800-387-0369  
Local: 905-306-1093  
Fax: 1-800-395-1498  
[www.DXV.ca](http://www.DXV.ca)

#### In Mexico:

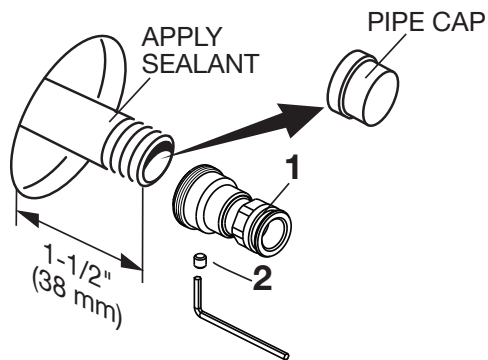
DXV  
Via Morelos 330  
Col. Santa Clara Coatitla  
Ecatepec, Estado de México 55540

Toll Free: 01-800-8391200  
[www.DXV.mx](http://www.DXV.mx)

SAVE FOR FUTURE USE

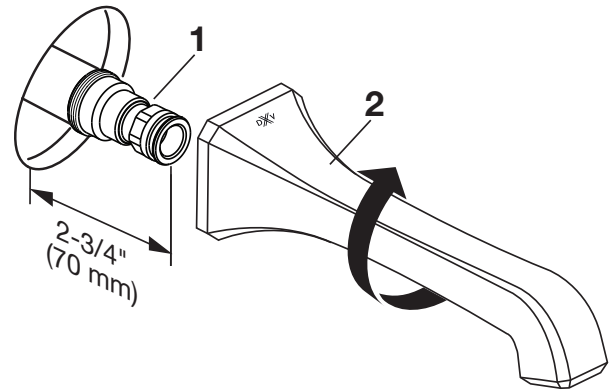
## 1 REMOVE PIPE CAP

- Remove PIPE CAP. Apply sealant to pipe nipple and tighten SET SCREW (2). Thread SPOUT ADAPTER (1) onto pipe nipple.



## 2 INSTALL SPOUT

- The SPOUT ADAPTER (1) should extend 2-3/4" from finished wall.
- Thread TUB FILLER SPOUT (2) onto SPOUT ADAPTER (1) flush against finished wall.



# DXV

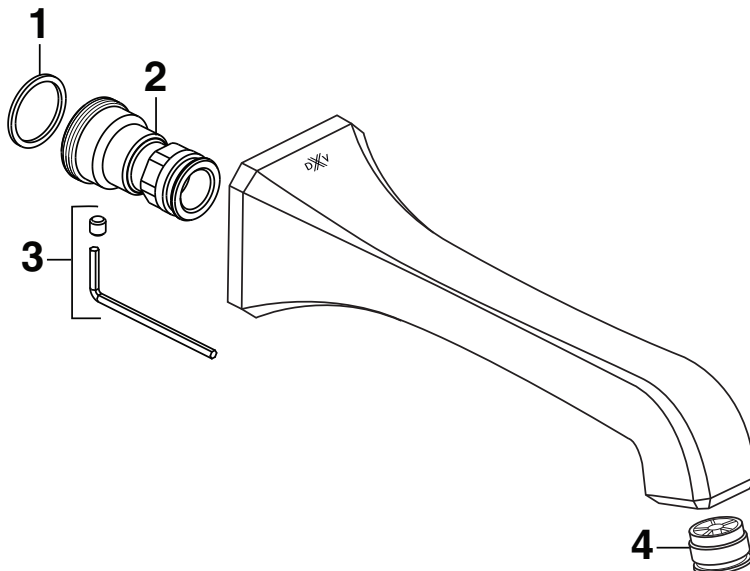
**DXV Belshire™**  
Wall Tub Spout

MODEL NUMBER

**D35170760**

Replace the "YYY" with appropriate finish code

POLISHED CHROME	100
BRUSHED NICKEL	144
PLATINUM NICKEL	150
SATIN BRASS	427



1	D970020-0070A	SPOUT O-RING
2	D970018-0070A	SPOUT ADAPTER
3	D970019-0070A	SET SCREW KIT
4	M964442-0070A	STREAM STRAIGHTENER

# INSTALLATION INSTRUCTIONS

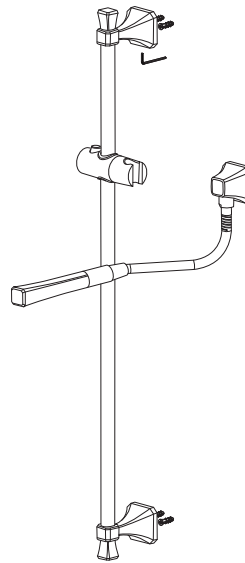


## DXV Belshire™ Personal Hand Shower with Adjustable Wall Mounted Bar

For use with automatic compensating valves  
rated at 4.5 L/min (1.2 gpm)

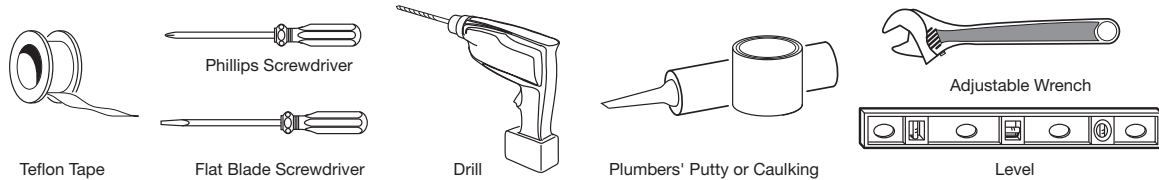
Model D35170780

Thank you for selecting DXV. To ensure that your installation proceeds smoothly, please read these instructions carefully before you begin.



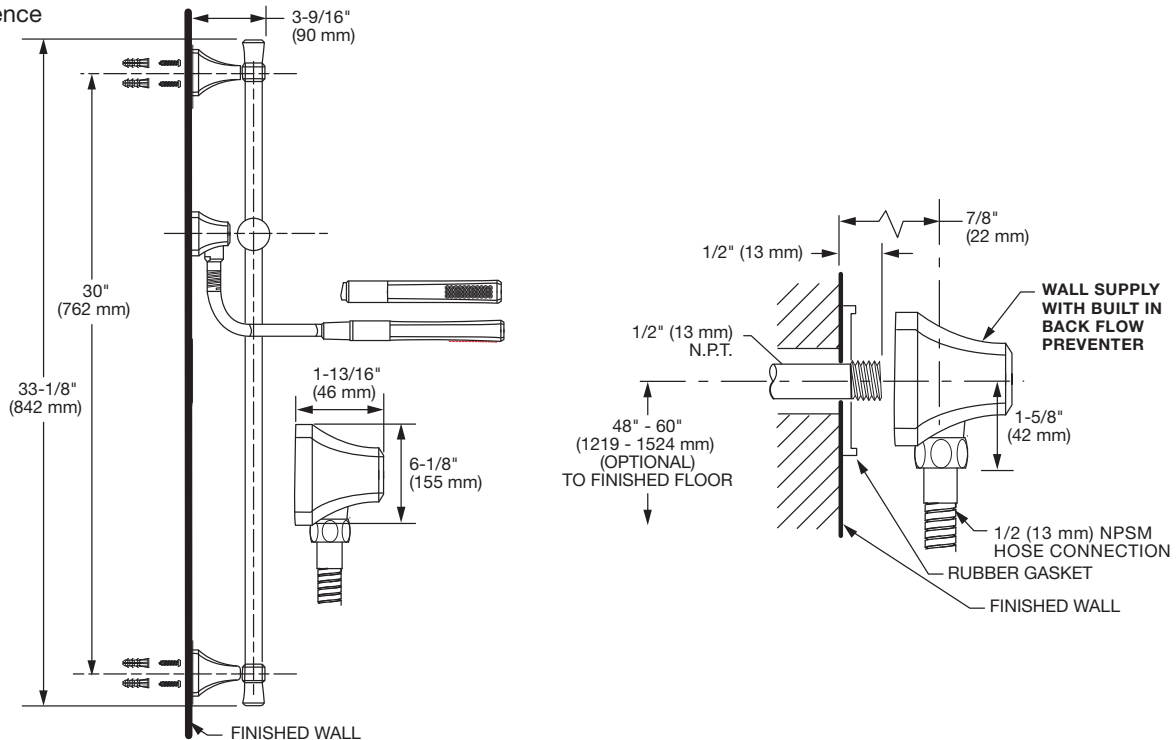
### RECOMMENDED TOOLS AND MATERIALS

Most of the procedures require the use of common tools and materials, which are available from hardware and plumbing supply stores. It is essential that the tools and materials be on hand before work is begun.



### ROUGHING-IN DIMENSIONS:

• For reference



#### In the United States:

DXV  
One Centennial Avenue  
Piscataway, New Jersey 08855  
Attention: Director of Customer Care

For residents of the United States, warranty information may also be obtained by calling the following toll free number: (800) 227-2734  
[www.DXV.com](http://www.DXV.com)

#### In Canada:

DXV  
5900 Avebury Road  
Mississauga, Ontario  
L5R 3M3  
Canada

Toll Free: 1-800-387-0369  
Local: 905-306-1093  
Fax: 1-800-395-1498  
[www.DXV.ca](http://www.DXV.ca)

#### In Mexico:

DXV  
Via Morelos 330  
Col. Santa Clara Coatitla  
Ecatepec, Estado de México 55540

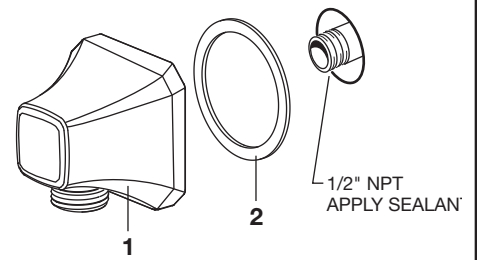
Toll Free: 01-800-8391200  
[www.DXV.mx](http://www.DXV.mx)

SAVE FOR FUTURE USE

## 1 INSTALL WALL SUPPLY

**CAUTION** Turn off hot and cold water supplies before beginning.

- Supply to WALL SUPPLY (1) is 1/2" (13 mm) NPT. See rough-in above for detailed information.
- Install RUBBER SEAL (2) onto WALL SUPPLY (1).
- Apply sealant or teflon tape to threads of 1/2" (13 mm) NPT supply nipple. Thread WALL SUPPLY (1) onto supply nipple making a water tight seal. WALL SUPPLY (1) with RUBBER SEAL (2) should be tight against finished wall.

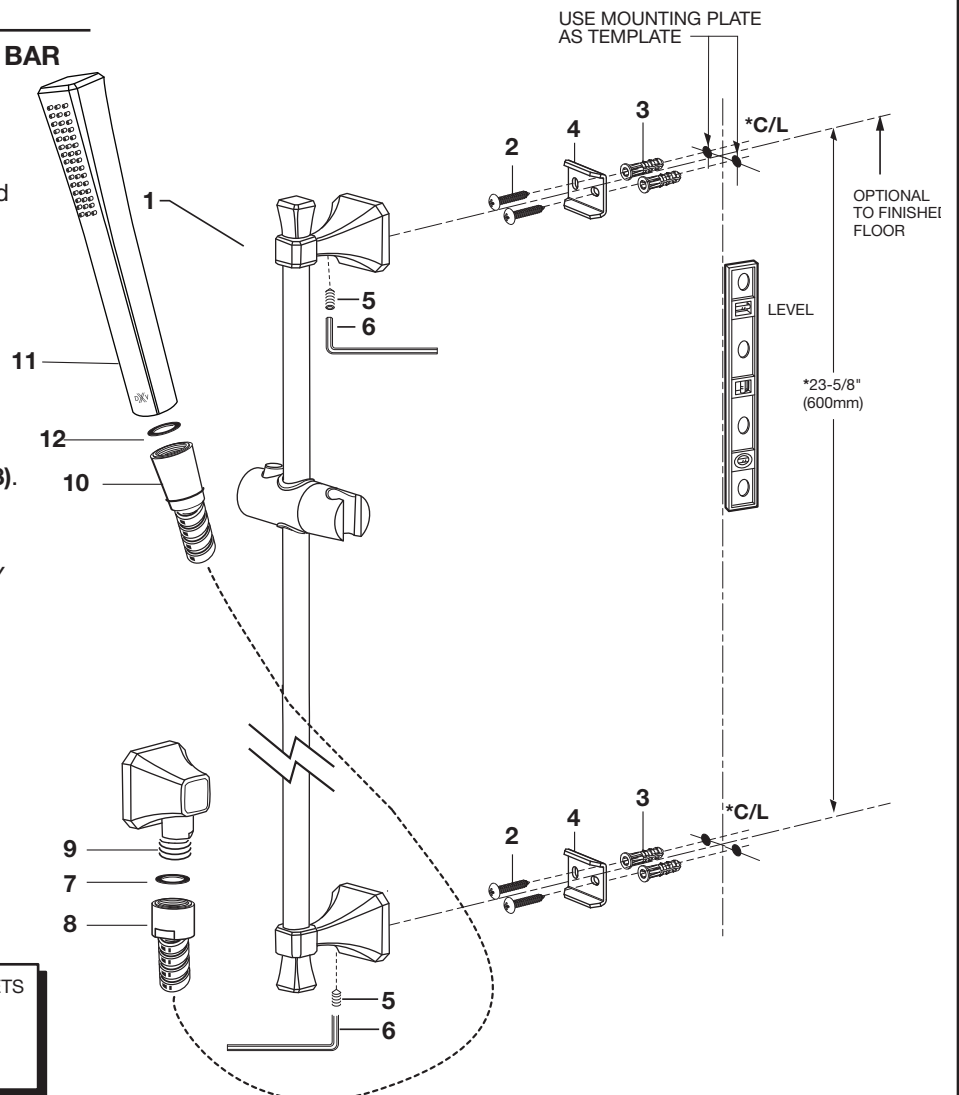


## 2 INSTALL WALL BRACKETS

- The ADJUSTABLE SHOWER BAR (1) works best if secured to a wall stud or cross brace within the wall, using the MOUNTING SCREWS (2) supplied.
- If the ADJUSTABLE SHOWER BAR (1) is to be installed on a tile or plaster wall the ANCHORS (3) and SCREWS (2) should be used.
- Determine desired height and location (optional) of the top MOUNTING PLATE (4). **NOTE: MEASUREMENT IS APPROXIMATE ONLY, PLEASE USE BAR AS TEMPLATE FOR ACTUAL CENTER TO CENTER MEASUREMENTS.** Use a level to make sure the center line between the two MOUNTING PLATES (4) is vertical. If the MOUNTING PLATES (4) are secured to a stud or cross brace, drill small pilot holes for SCREWS (2).
- **For installations on drywall or tiled walls:** Use ANCHORS (3) and SCREWS (2) for securing MOUNTING PLATE (4) to finished wall. Drill six 1/4" dia. holes a minimum of 1-3/4" deep. Insert the ANCHORS (3) flush with face of the finished wall.
- Secure MOUNTING PLATES (4) to wall with SCREWS (2).

## 3 INSTALL ADJUSTABLE SHOWER BAR

- Install the ADJUSTABLE SHOWER BAR (1) onto the MOUNTING BRACKETS (4). Push ADJUSTABLE SHOWER BAR (1) flush against finished wall and tighten SET SCREWS (5) with HEX WRENCH (6) supplied with accessory.



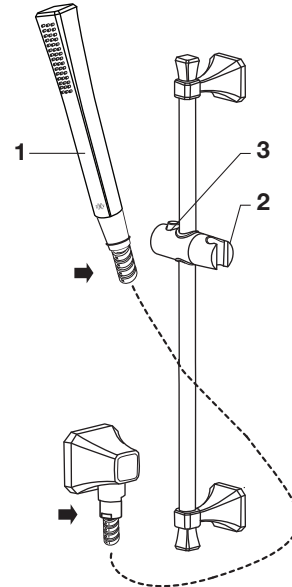
## 4 INSTALL HOSE AND HAND SHOWER

- Install SEAL (7) into COUPLING NUT (8). Connect COUPLING NUT (8) to WALL SUPPLY NIPPLE (9) and tighten.
- INSTALL second SEAL (12) into SPRAY HOSE END (10) and connect HAND SHOWER (11) to SPRAY HOSE (10). Hand tighten.

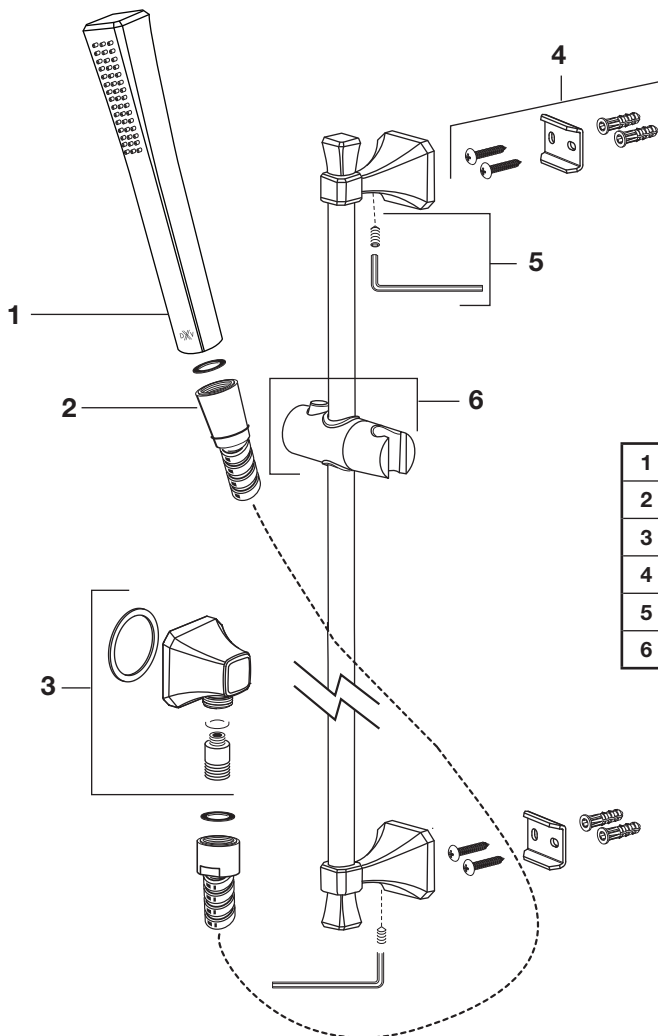
\*FROM CENTER TO CENTER OF WALL BRACKETS  
 \*NOTE: MEASUREMENT IS APPROXIMATE ONLY, PLEASE USE BAR AS TEMPLATE FOR ACTUAL CENTER TO CENTER MEASUREMENTS.

## 5 TEST INSTALLED HAND SHOWER

- Remove Hand Shower from the hose. Turn water supplies on to flush water lines thoroughly.
- Turn handles “off” and replace HAND SHOWER (1).
- Lift HAND SHOWER (1) from HOLDER (2) and direct spray into tub. Turn hand shower valve on to check HAND SHOWER (1) for proper operation and hose connections for leaks. ➡
- Use KNOB (3) on HOLDER (2) to adjust HAND SHOWER (1) height on slide bar.



# DXV



## DXV Belshire™ Personal Hand Shower with Adjustable Wall Mounted Bar

MODEL NUMBER

**D35170780**

Replace the “YYY” with  
appropriate finish code

POLISHED CHROME	100
BRUSHED NICKEL	144
PLATINUM NICKEL	150
SATIN NICKEL	427

1	D35170781.XXX	HAND SHOWER
2	H960440.XXX	HOSE & SEALS
3	D970014-YYY0A	WALL ELBOW
4	M970325-0070A	MOUNTING KIT
5	M964546-0070A	SET SCREW
6	D970012-YYY0A	HAND SHOWER BRACKET



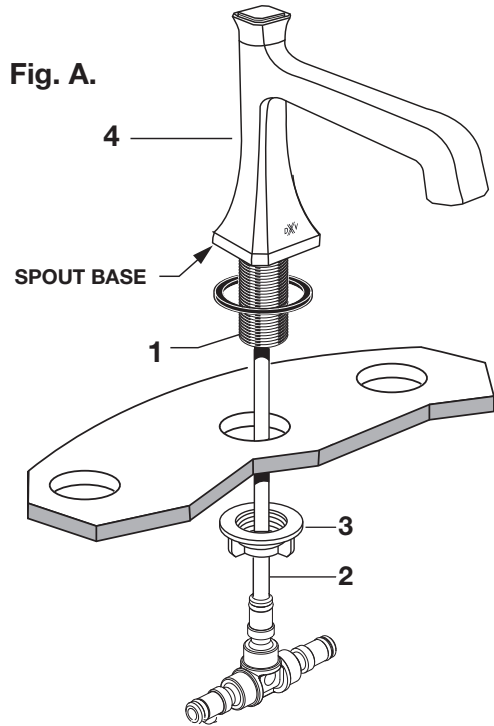
# 1 INSTALL SPOUT

**CAUTION** Turn off hot and cold water supplies before beginning.

Fig. A.

- Insert SHANK (1) and HOSE (2) through center hole.
- Thread LOCKNUT (3) onto SHANK (1) from underside of sink or mounting surface.
- Align and center SPOUT (4). Tighten LOCKNUT (3).

Fig. A.

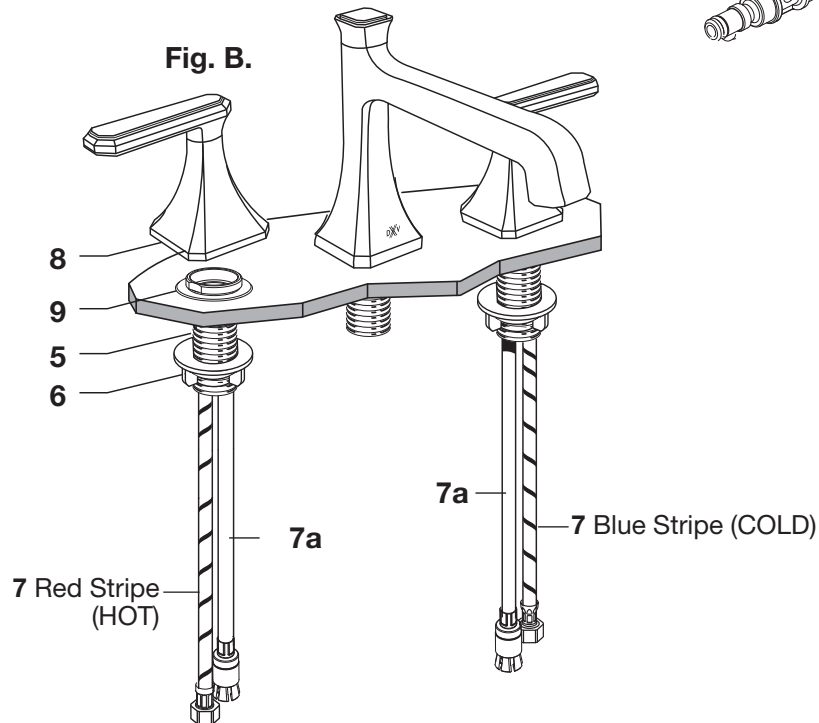


# 1A INSTALL VALVE BODIES

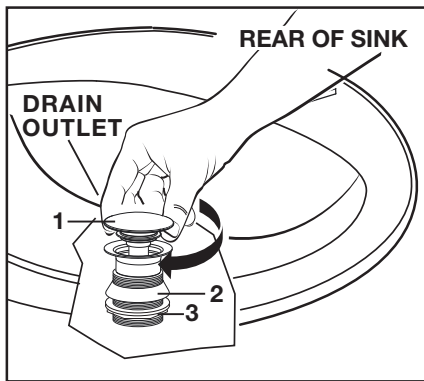
Fig. B.

- Insert Hot and Cold SIDE VALVE HOSES (7), FLEXIBLE SUPPLIES (7a) into mounting holes.
- Thread LOCKNUT (6) onto each SIDE VALVE SHANK (5) from underside of sink or mounting surface.
- Align and center SIDE VALVES. Tighten LOCKNUTS (6).
- Thread HANDLE (8) to SIDE DECK ADAPTOR (9).

Fig. B.



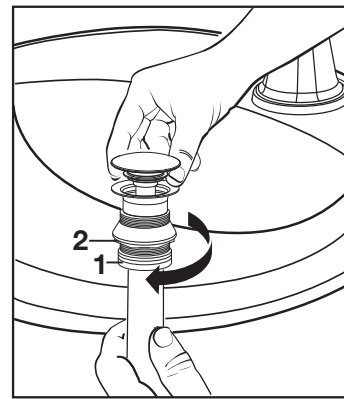
## 2 INSTALL DRAIN FROM BELOW FIXTURE



- Install DRAIN (1) by dropping it from the top of the sink.
- From under side of SINK install GASKET (2) and MOUNTING NUT (3).

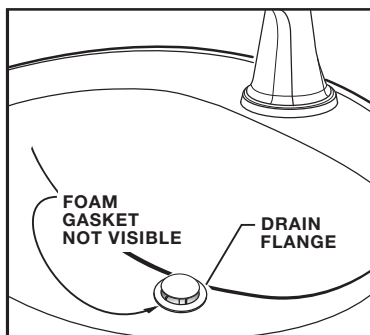
**Note:** Plumber's putty or caulk is recommended.

## 3



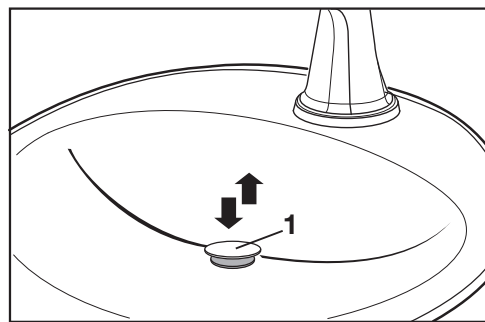
- Thread TAIL PIECE NUT (1) clockwise onto DRAIN BODY (2).

## 4 FLANGE GASKET AND POP-UP KNOB



- Check DRAIN FLANGE in SINK to ensure that FOAM GASKET (3) is fully compressed and not visible.

## 5 CHECK OPERATION OF POP-UP



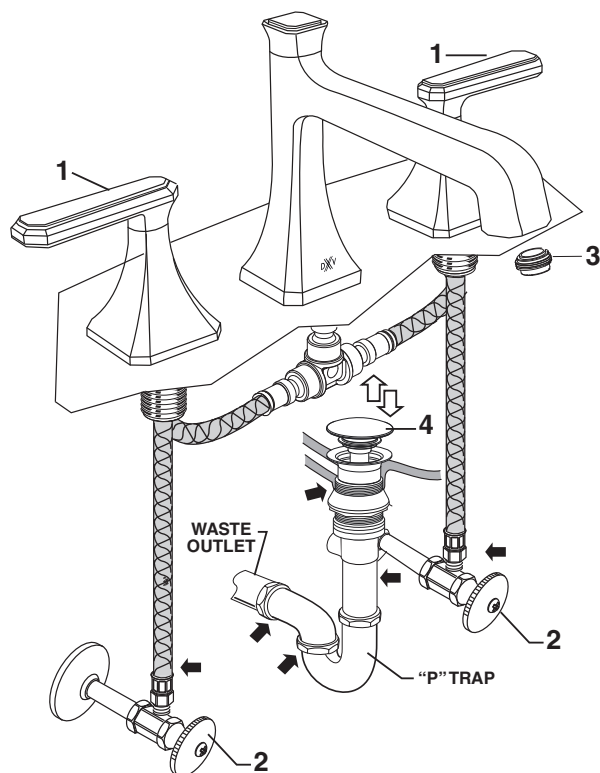
- Operate DRAIN STOPPER (1) to verify that it opens and closes.

## 6 TEST INSTALLED FITTING

- With HANDLE (1) in OFF position, turn on WATER SUPPLIES (2) and check all connections for leaks.
- Remove AERATOR (3).
- Operate HANDLE (1) to flush water lines thoroughly.
- Replace AERATOR (3).

### CHECK DRAIN CONNECTIONS

- Fill lavatory with water. Check that DRAIN STOPPER (4) makes a good seal and retains water in SINK.
- Release DRAIN STOPPER (4) down and check all drain connections and "P" trap for leaks. Tighten if necessary.



# DXV

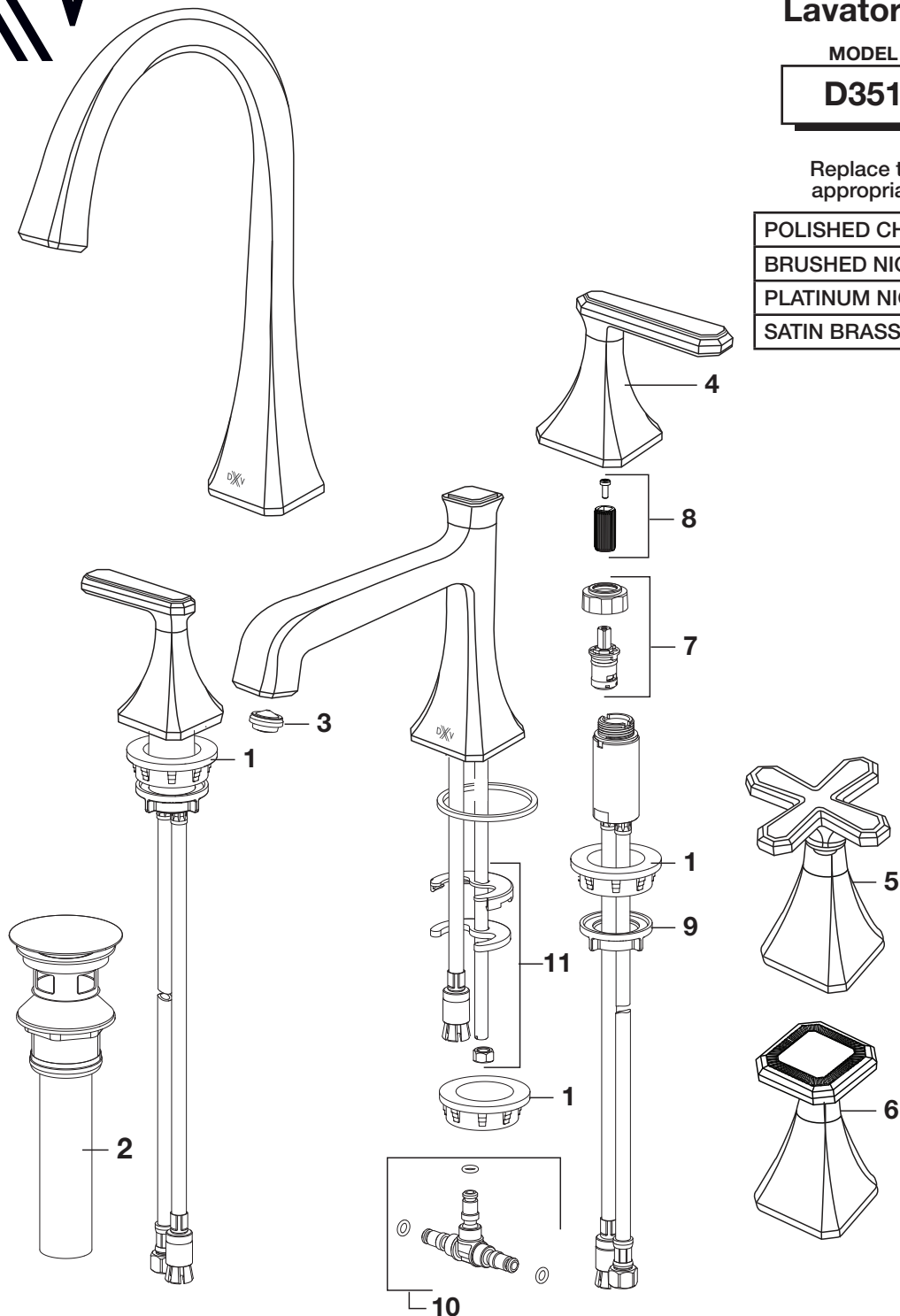
## DXV Belshire™ Widespread Lavatory Faucet

MODEL NUMBER

**D3517081X**

Replace the "YYY" with appropriate finish code

POLISHED CHROME	100
BRUSHED NICKEL	144
PLATINUM NICKEL	150
SATIN BRASS	427



1	M911116-0070A	SPACER	7	M964005-0070A	CARTRIDGE KIT
2	D35170460.XXX	DRAIN ASSEMBLY	8	M964055-0070A	HANDLE ADAPTER KIT
3	M923838-0070A	AERATOR	9	M906617-0070A	MOUNTING KIT
4	D970008-YYY0A	LEVER HANDLE KIT	10	M904516-0070A	T-CONNECTOR
5	D970009-YYY0A	CROSS HANDLE KIT	11	M962411-0070A	MOUNTING KIT
6	D970010-YYY0A	CUSHION HANDLE KIT			

# INSTALLATION INSTRUCTIONS

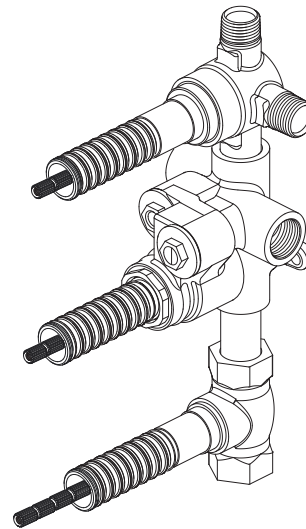


## 3-Handle Thermostatic Rough with 2-Way Diverter

Models: D35005533.191 / D35005533S.191

\*If designated with an "S", the valve offers shared flow position between adjacent outlets.

For use with shower heads rated at 6.8 L/min (1.8 gpm) or higher.



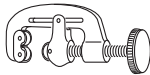
Thank you for selecting DXV. To ensure that your installation proceeds smoothly, please read these instructions carefully before you begin.

### RECOMMENDED TOOLS AND MATERIALS

Most of the procedures require the use of common tools and materials, which are available from hardware and plumbing supply stores. It is essential that the tools and materials be on hand before work has begun.



Channel Locks



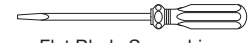
Tubing Cutter



Adjustable Wrench



Teflon Tape

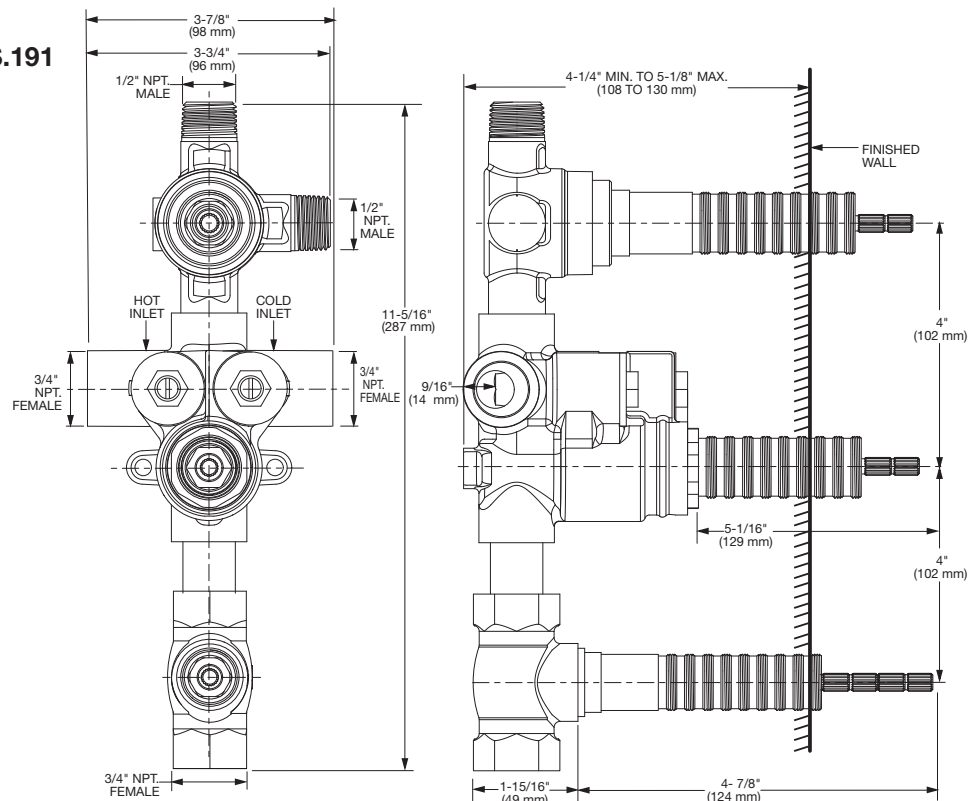


Flat Blade Screwdriver  
(provided)

### ROUGHING-IN DIMENSIONS:

- Connections are: 1/2" NPT

**D35005533.191/D35005533S.191**  
**Rough Valve Body Only**  
 With built-in 2-way diverter

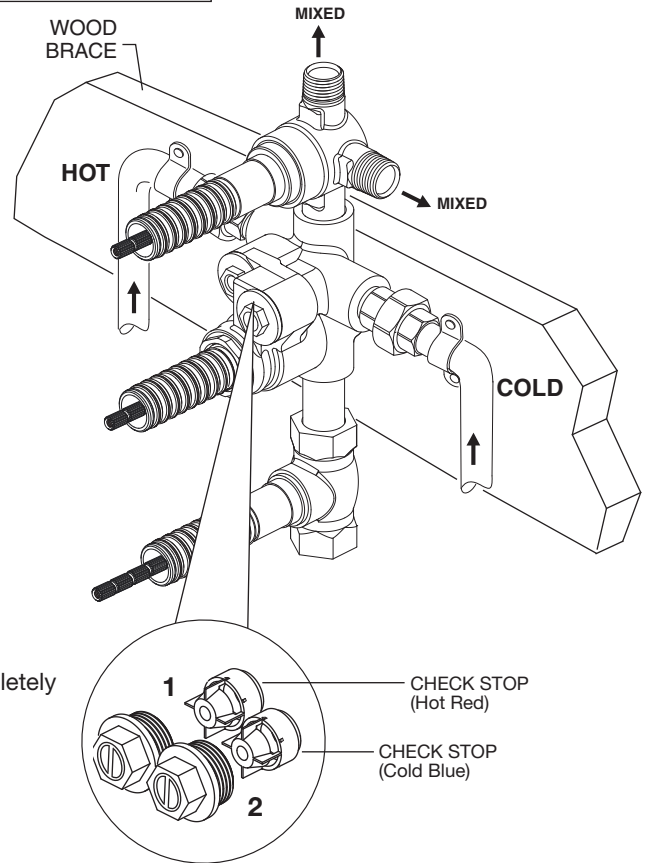


SAVE FOR FUTURE USE

## 1 ROUGHING-IN THE VALVE: D35005533.191 / D35005533S.191

**CAUTION** DO NOT SOLDER NEAR THE VALVE. DAMAGE TO THE SEALS MAY OCCUR. DO NOT SEAL ANY OUTLETS. THIS DIVERTER CANNOT BE USED AS A STOP VALVE.

- Prepare water supplies per ROUGHING-IN DIMENSIONS. Make sure the finished wall is between the minimum and maximum rough dimension.
- Install VALVE at indicated height and depth. Make sure the “hot inlet” (RED) is on the left-hand side and the “cold inlet” (BLUE) is on the right-hand side
  - Connect the hot and cold water supplies. Assemble all connecting pipes. Flush lines to remove any dirt. Connections are 1/2” NPT.
- Assemble the connection pipes to the MIXED OUTLETS of the VALVE.
- If the CHECK STOPS (1,2) were removed during installation, ensure the hot and cold CHECK STOPS (1,2) are not reversed. The hot CHECK STOP (1) has a red top and the cold CHECK STOP (2) has a blue top.
- To flush lines, remove the CHECK STOPS (1,2) and run water. If desired, the TEMPERATURE CONTROL UNIT can be removed. Reinstall CHECK STOPS (1,2).
- Beware of Freezing. No water should remain in the MIXING VALVE if freezing is a possibility. Remove the CHECK STOP (1,2) to completely drain the MIXER UNIT (1).

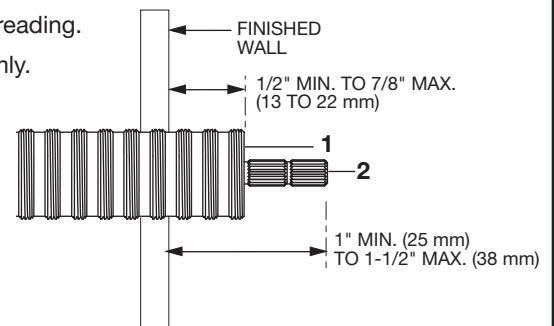


## 2 INNER AND OUTER SPINE ADJUSTMENT

**Note:** Inner Spline and Outer Tube should only be cut after they’re removed from the valve.

1. Mark a position where the outer TUBE (1) needs to be cut. Remove by unthreading.
2. After cutting, replace outer TUBE (1) by threading it back onto the valve firmly.
3. Mark the position of the inner SPLINE (2) and unthread by using a Flat Head Screw Driver (Provided).
4. Cut to the necessary length and install inner Spline back onto the valve.

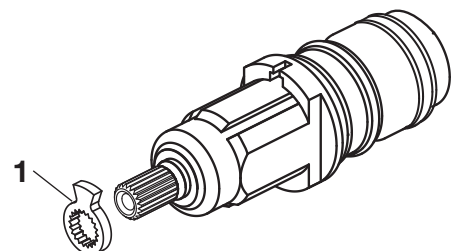
**Note:** The inner Spline needs to be replaced in the same rotary position for the handle to be installed in a neutral position.



## 3 ADJUST HOT LIMIT STOP

By restricting HANDLE rotation and limiting the amount of hot water allowed to mix with the cold, the HOT LIMIT SAFETY STOP (1) reduces risk of accidental scalding. To set the maximum hot water temperature of your faucet, all you need to do is adjust the setting on the HOT LIMIT SAFETY STOP (1).

- Use a flat blade screwdriver to pry free the HOT LIMIT SAFETY STOP (1). Pull forward and rotate counterclockwise one tooth to reduce maximum hot water temperature. The maximum temperature is nominally factory set to 120°F. The temperature variation is approximately 4°F per tooth. Always check water temperature maximum before completing the installation.



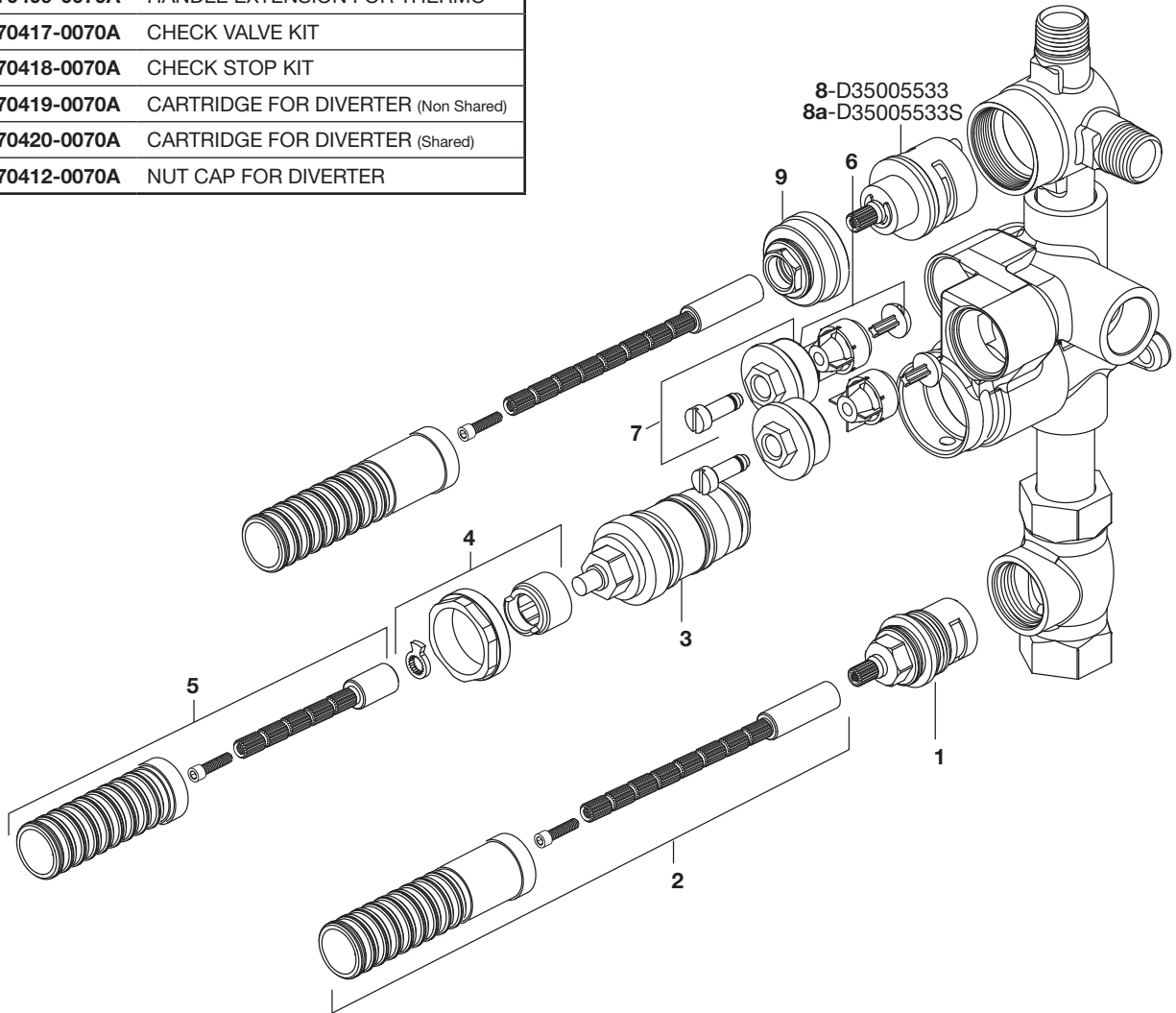


### 3-Handle Thermostatic Rough with 3-Way Diverter

MODEL NUMBERS

**D35005533.191**  
**D35005533S.191**

1	M970414-0070A	VOLUME CONTROL CARTRIDGE
2	M970403-0070A	HANDLE EXTENSION FOR DIVERTER
3	M970415-0070A	THERMO CARTRIDGE
4	M970416-0070A	CARTRIDGE NUT
5	M970409-0070A	HANDLE EXTENSION FOR THERMO
6	M970417-0070A	CHECK VALVE KIT
7	M970418-0070A	CHECK STOP KIT
8	M970419-0070A	CARTRIDGE FOR DIVERTER (Non Shared)
8a	M970420-0070A	CARTRIDGE FOR DIVERTER (Shared)
9	M970412-0070A	NUT CAP FOR DIVERTER



**In the United States:**

DXV  
One Centennial Avenue  
Piscataway, New Jersey 08855  
Attention: Director of Customer Care

For residents of the United States, warranty information may also be obtained by calling the following toll free number: (800) 227-2734  
[www.DXV.com](http://www.DXV.com)

**In Canada:**

DXV  
5900 Avebury Road  
Mississauga, Ontario  
L5R 3M3  
Canada

Toll Free: 1-800-387-0369  
Local: 905-306-1093  
Fax: 1-800-395-1498  
[www.DXV.ca](http://www.DXV.ca)

**In Mexico:**

DXV  
Via Morelos 330  
Col. Santa Clara Coatitla  
Ecatepec, Estado de México 55540

Toll Free: 01-800-8391200  
[www.DXV.mx](http://www.DXV.mx)