

### Features

- Modular Cabinet - combine multiple cabinets, lighting, or mirrors
- All cabinets are non-handed/reversible
- Mirrored interior with 3 adjustable, cantilevered glass shelves
- Cantilever shelving adjustable in 1" increments
- Includes installation hardware for recess mounting
- Can be recessed or surface mounted (surface mounting kit required)

### Optional Features & Upgrades

- PORTRAY Quick Caddy (QUICKCADDY)
  - PORTRAY Electric Upgrade (P2ELECTRIC)
  - PORTRAY Sliding Magnification Mirror available for 16", 20", and 24" widths\*
  - Blum 110° slow close hinges
  - Polished edge or 3/4" beveled front mirror
  - Modular design with multiple installation options (See options below).
  - Other widths/heights available ranging 12" to 24" wide, 20" to 72" high
  - Glass Bins (GLASSBIN3.25, GLASSBIN5.25, GLASSBIN8.5)
- \* This accessory cannot be added post-sale.

### Construction

- Rust free Satin anodized aluminum construction
- Blum hinges standard
- 3 mirror design - rear of cabinet and both sides of door

### Codes/Standards Applicable

- Electric Option Models are ETL certified to:
  - UL 962
  - CSA Standard C22.2 No. 68

### Dimensions

Width: 19-1/4" (489 mm)  
 Height: 30" (762 mm)  
 Depth: 4-5/8" (117 mm) When surface mounted  
 7/8" (22 mm) When recessed

### Installation Options

**Recessed Mount** - Rough Opening - 18-1/2" W x 29-1/4" H x 4" D (470 mm W x 743 mm H x 102 mm D)

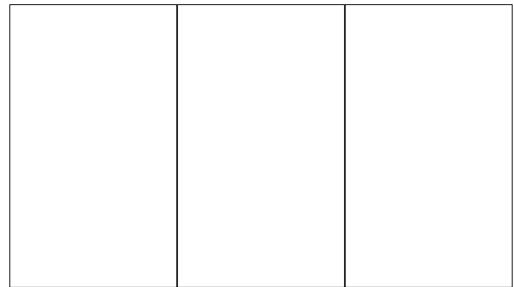
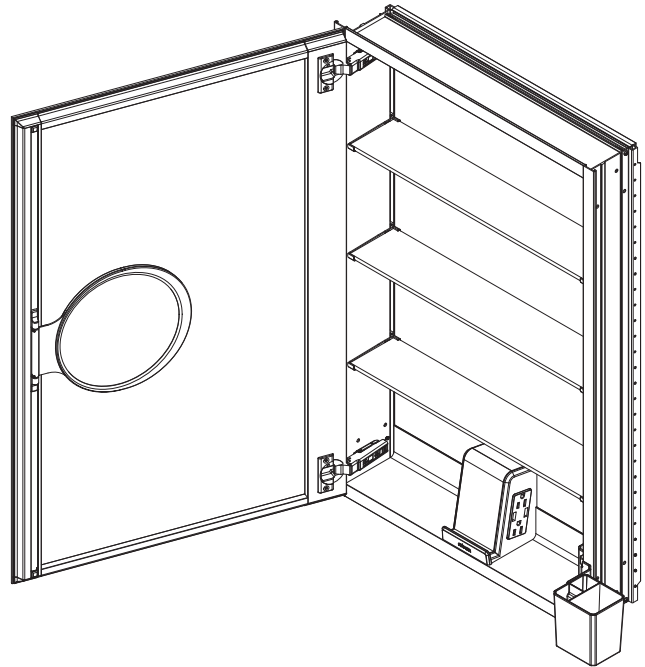
**Surface Mount (Single Cabinet)** - Reference Surface Mount Kit when ordering (P2SMKIT)

**Pairs with Modular mirrors**

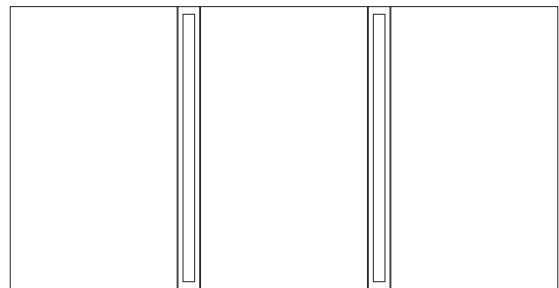
**Gangs to PL PORTRAY Series Cabinet** - Reference PL PORTRAY Ganging Kit when ordering (P2RMGKIT, P2SM-GKIT)

**Gangs to Lighting\*** - Reference Ganging kit for the particular light option when ordering.

\* Compatible with Vesper, InLine, Profiles, M Series, PL Series, AiO Cabinet, Vitality Cabinet



Ganging Cabinet-to-Cabinet Arrangement



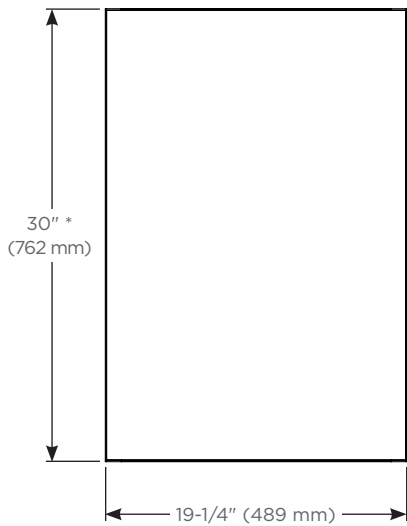
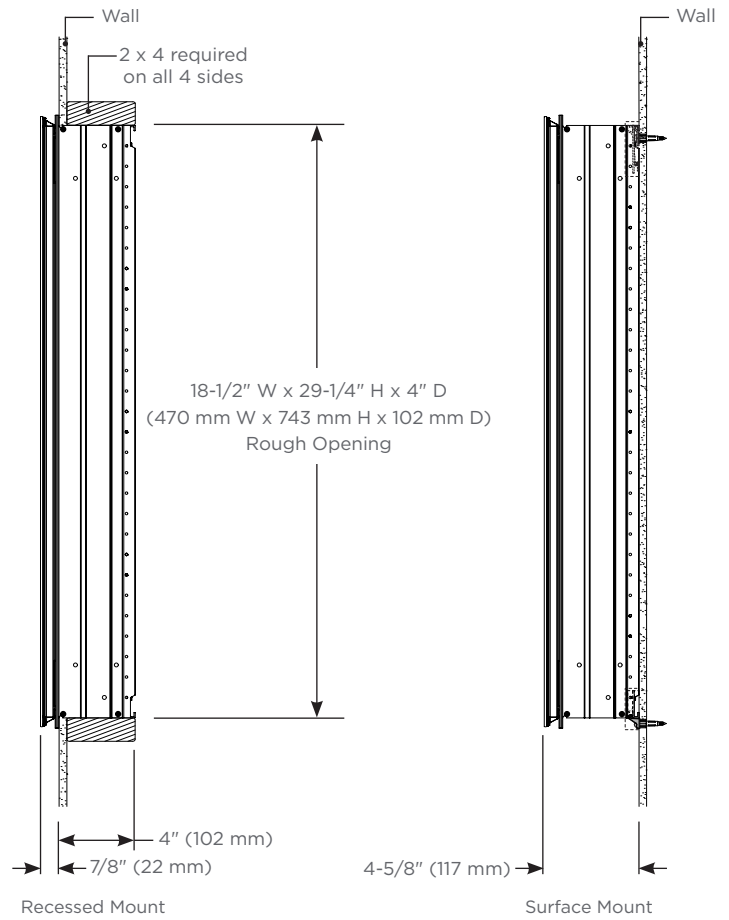
Ganging Cabinet-to-Lights Arrangement

### Model Number Key

PL PORTRAY Series	Width	Height	Depth	Mirror Edge Style	Upgrade Option	
P2C	20	30	D4	FP = Polished Edge	BA = No Upgrade	FS = Storage Upgrade
				FB = Bevel Edge	SC = Slow Close Upgrade	TU = Electric Upgrade
					MM = Magnification Mirror Upgrade	FT = Storage and Electric Upgrade

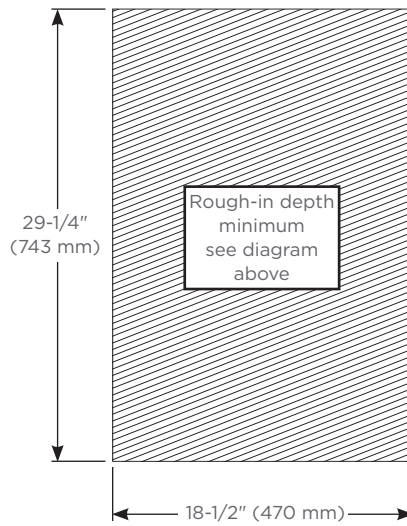
## Electrical System

- 120 VAC 60HZ 20A
- Field wire location as shown in drawing
- 1/2" conduit (Ø 7/8" actual) electrical knockout location shown below

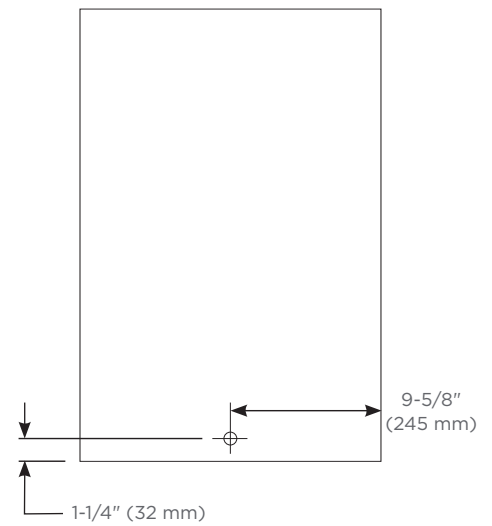


Cabinet Dimensions

\*Door is 1/8" (3 mm) smaller than cabinet



Rough-in Dimensions



Back of Cabinet - Wire Access Location

# Vesper™ Edgeline Light GLA30ELP - Specification Sheet

## Features

- Seamless and flush aesthetic
- Modular lighting can be ganged with M Series/PL Series Cabinets
- Will operate in high humidity or damp spaces
- Thinner profile is ideal for urban spaces for ease of installation
- Warm, relaxing tones (3000K)
- Light provides ambient lighting for a room
- Dimmable LED using a standard residential dimmer that works with your home's existing wiring
- Energy efficient LED's with an estimated life of 53,000 hours:

Kelvin	3000
CRI	90+
R9 Value	60+
Lumens	245

## Construction

- Rust-free anodized aluminum and glass construction
- Anodized aluminum back frame
- Quality polished edge mirror
- Diffuser built into the product
- Fully encased lighting construction eliminating exposed LEDs and electrical components
- Wired internally - Front access serviceability

## Codes/Standards Applicable

- ETL certified (damp locations) to:
  - UL 1598
  - CSA C22.2 No. 250.0

## Dimensions

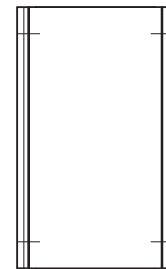
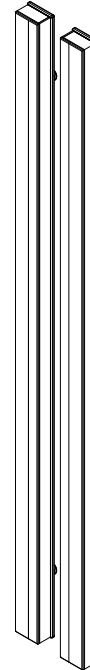
Height: 30" (762 mm)  
 Width: 1-3/8" (35 mm)  
 Depth: 4-5/8" (117 mm) When surface mounted  
 15/16" (24 mm) When recessed  
 Net Weight: 6 - 9 lbs.

## Accessories

- Ganging Kit (MGKIT)
- Surface-Mount Kit (MSMK\_\_D\_P)
- Semi-Recess Mount Kit (MSMK\_\_D8SRP)

## Model Number Key

Product Line	Width	Height	Light Design	Light Type	Qty of Lights	Main Body Color	Color Temp	Engine Type
GL = Vesper Light	A = 1-3/8"	30 = 30"	E = Edgeline	L = LED	P = Pair of Lights	S = Silver	3 = 3000K	D = Dimmable



Typical Ganged Arrangement

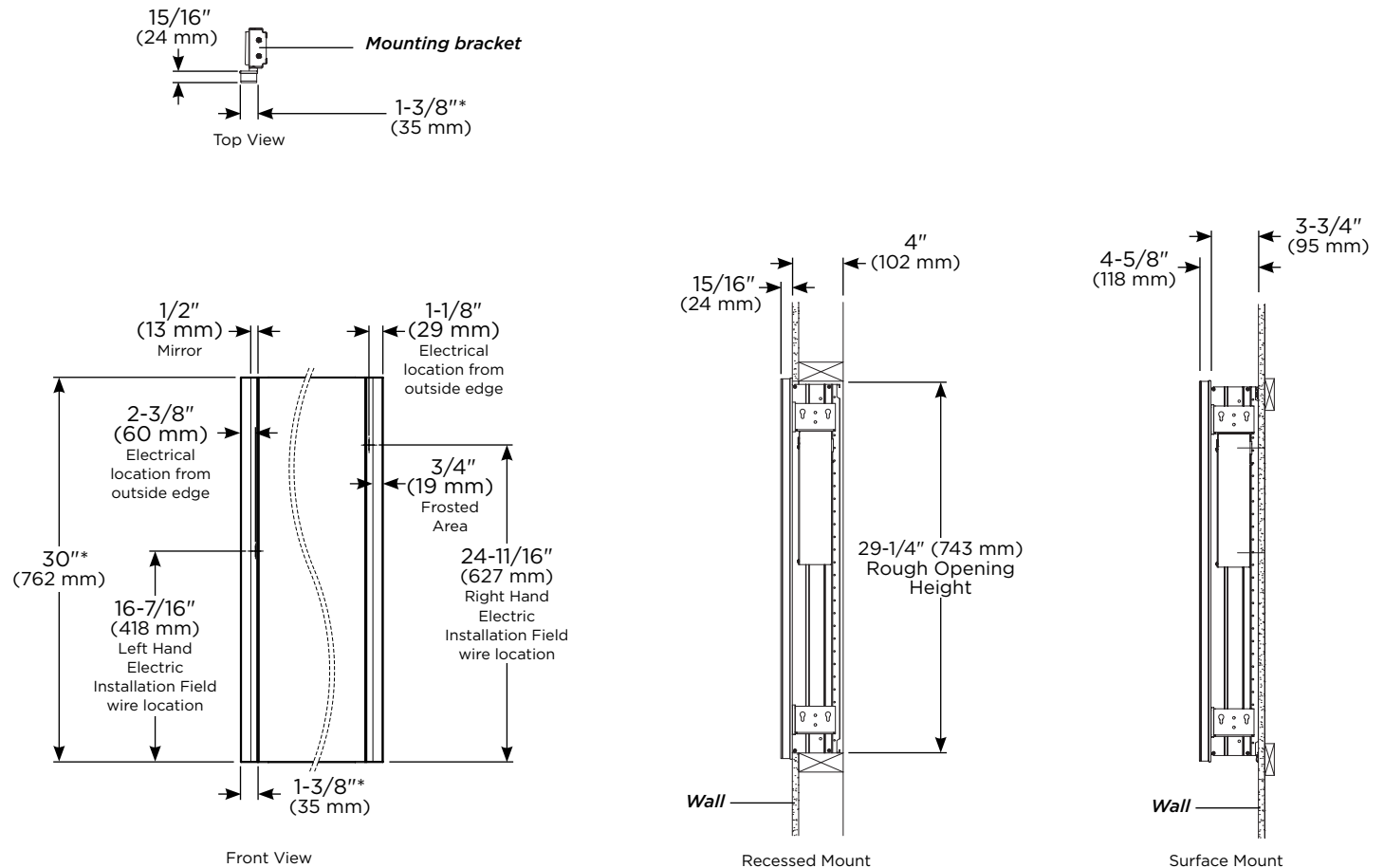
**Note: This fixture adds 2-3/4" (70 mm) per pair to the overall rough-in width.**

## Installation

- Sold as a pair unit (not as singles)
- Fixture adds 1-3/8" per light (2-3/4" pair) to the overall rough-in width
- The Master-to-Remote Cable is included with the fixture. This cable ensures that both lights sync consistently with light control.
- Vesper Lighting comes with hardware to mount to both sides of a cabinet
- If ganging more than one cabinet, a MGKIT is required
- Can be surface-mounted with 4" depth (D4), 6" depth (D6) and 8" depth (D8) cabinets (D4, D6 and D8 surface-mount kit required). Can be semi-recessed with 6" (D6) and 8" depth (D8) cabinets (D6 and D8 semi-recessed kit required) and fully recessed with 4" depth (D4), 6" depth (D6) and 8" depth (D8) cabinets

## Electrical System

- Operates on 120 volts AC and 1.6A max (3000K) per fixture
- Recommended dimmer for fixture: Lutron C.L Dimmers or Caseta Wireless.
- (US) ETL and (Can) ETL Listed for Damp Locations
- Field wire location as shown in drawing



\*Lens dimensions are 1/8" (3 mm) smaller than light body