



Shower - IMO

Rain shower with wall fixing - platinum matt

Article number: 28 679 670-06 0010

- 450 mm projection
- rain flow
- with anti-scale system
- rain shower \varnothing 300mm
- rosette 65 x 65 mm
- 1/2" connection
- max. flow 6.8 l/min



platinum matt

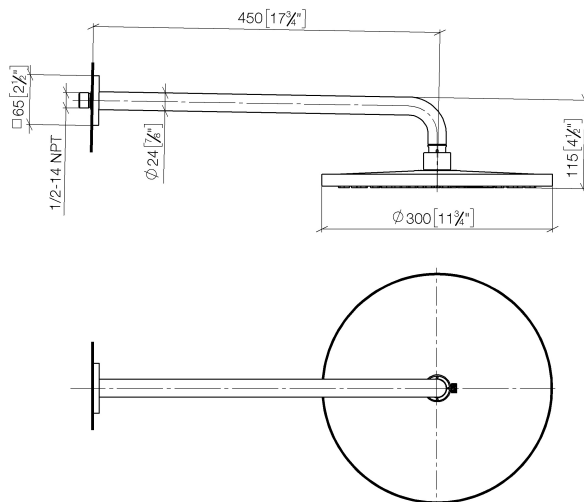


Miscellaneous items are required for this article.

Discontinued articles/items available to order until 31.12.9999

Dimensional drawing

mm [inches]





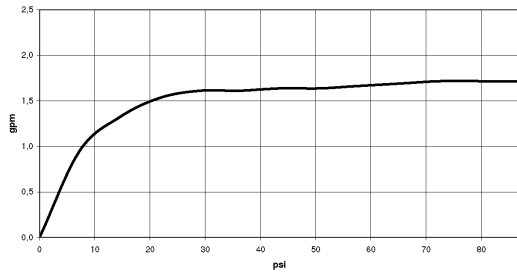
Shower - IMO

Rain shower with wall fixing - platinum matt

Article number: 28 679 670-06 0010

All details in mm / inch = mm x 0.0394

Flow rate chart





Shower - IMO

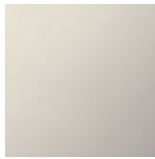
Rain shower with wall fixing - platinum matt

Article number: 28 679 670-06 0010

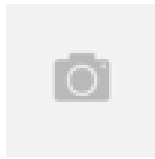
Other finish variants



polished chrome
28 679 670-00 0010



platinum
28 679 670-08 0010



brushed Durabronze
28 679 670-28 0010



chrome matt
28 679 670-93 0010

Other finishes on request (x-tra Service)



35 085 970-90 0010

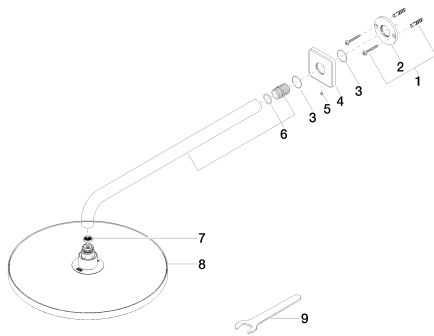
Concealed wall elbow -

Shower - IMO

Rain shower with wall fixing - platinum matt

Article number: 28 679 670-06 0010

Spare parts list

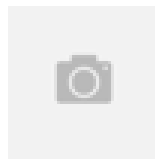
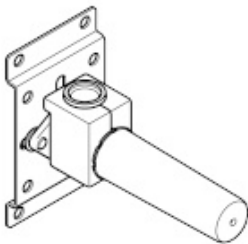


No.	Item Number	Name	Quantity used
1	04 30 31 032 00 90	fixing set	1
2	09 17 20 120 90	holder	1
3	09 14 10 150 90	seal	2
4	09 27 67 015-06	rosette	1
5	09 31 11 038 90	pin	1
6	90 11 03 070 00-06	pipe	1
7	09 23 01 075 90	insert	1
8	04 12 05 091 10-06	shower	1
9	09 30 09 069 90	key	1



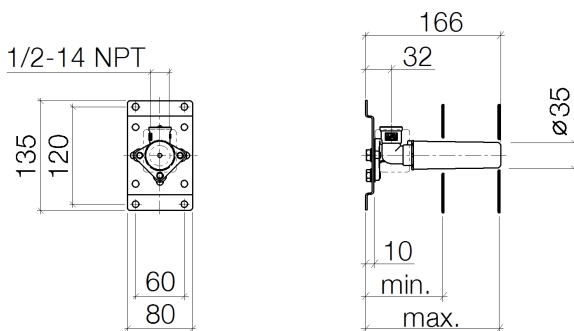
Bathtub - Concealed rough parts
Concealed wall elbow -
Article number: 35 085 970-90 0010

- brass, lead free
- female thread 1/2" connection
- 1x outlet 1/2"
- Mud guard
- Water protection
- Sound insulation



Discontinued items available to order until 31.12.9999

Dimensional drawing



	min	max
CL.1	90	163
Deque	90	163
Domicil	90	163
Gentle	90	163
IMO	90	163
Lisé	90	163
MEM	90	163
Symetrics	90	163
Vaia	90	163

All dimensions in mm / inch = mm x 0,0394



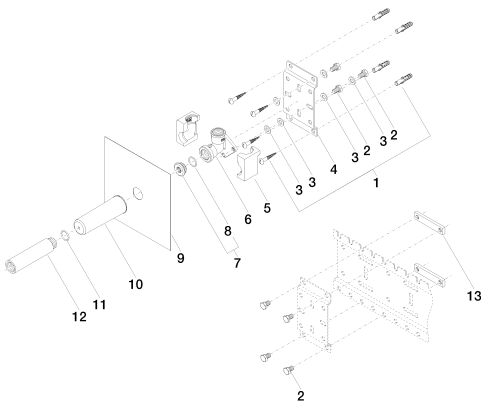
Bathtub - Concealed rough parts
Concealed wall elbow -
Article number: 35 085 970-90 0010

Other surface finishes

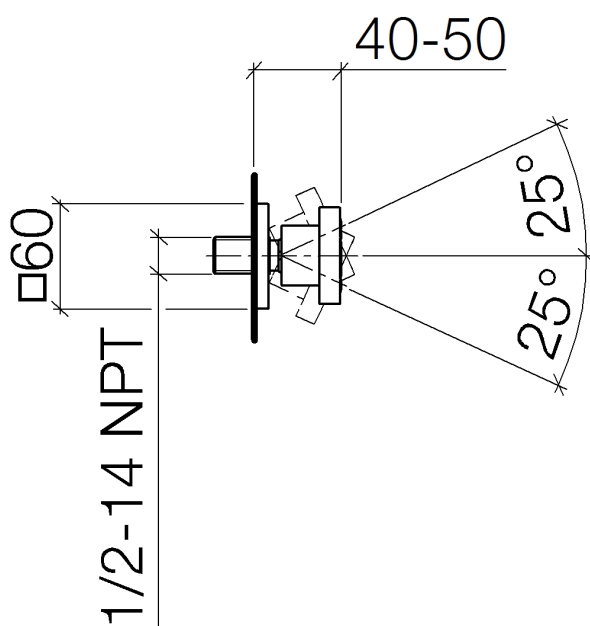
More custom finish options are available via special production (xTra Service). Please see our finish matrix for availability and pricing or contact a Dornbracht representative.

Bathtub - Concealed rough parts
 Concealed wall elbow -
 Article number: 35 085 970-90 0010

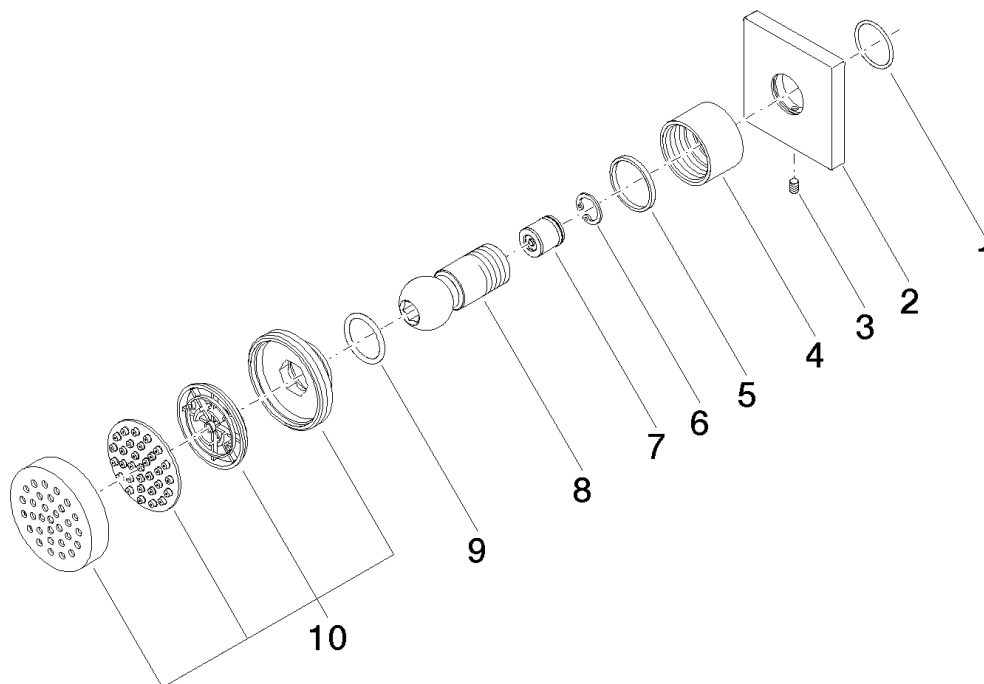
Spare parts list



Number	Item Number	Designation	Number of units
1	04 30 31 024 01 90	fixing set	2
2	09 30 30 152 90	screw	7
3	09 30 11 139 90	disc	6
4	09 17 20 094 90	holder	1
5	09 11 11 036 90	accessories	1
6	09 11 03 042 10 90	connection	1
7	04 31 20 006 00 90	plug	1
8	04 14 03 072 00 90	gasket kit	1
9	09 21 02 102 90	cap	1
10	09 14 10 010 90	seal	1
11	09 24 03 169 10 90	adaptor	1
12	09 17 20 100 90	holder	2

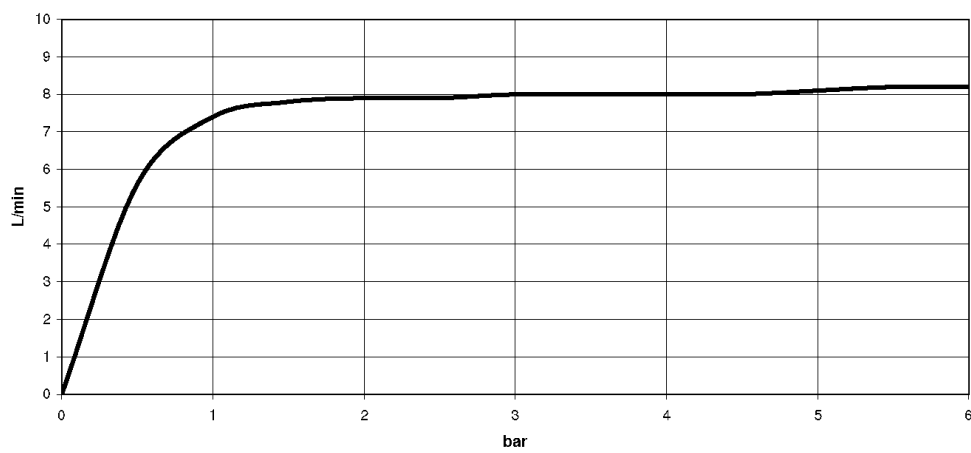


Exploded assembly drawing



Order quantity

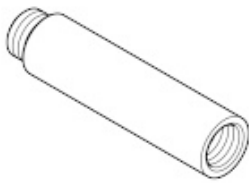
No.	Article number	Name	Installation quantity
1	09141009890	seal	1
2	092798003ff	rosette	1
3	09311104890	pin	1
4	092330026ff	nut	1
5	09141501090	ring	1
6	09160101490	ring	1
7	09230104890	back-flow preventer	1
8	092140016ff	connection	1
9	09141001590	seal	1
10	90120502700ff	casing (completely)	1



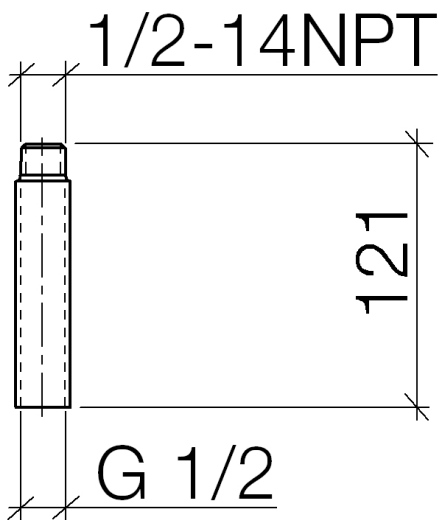


Bathtub - Concealed rough parts
Rough-in adapter -
Article number: 35 080 970-90 0010

- 1/2" male NPT x 1/2" female straight



Dimensional drawing



All dimensions in mm / inch = mm x 0,0394



Bathtub - Concealed rough parts
Rough-in adapter -
Article number: 35 080 970-90 0010



Bathtub - Concealed rough parts
Rough-in adapter -
Article number: 35 080 970-90 0010

Spare parts list

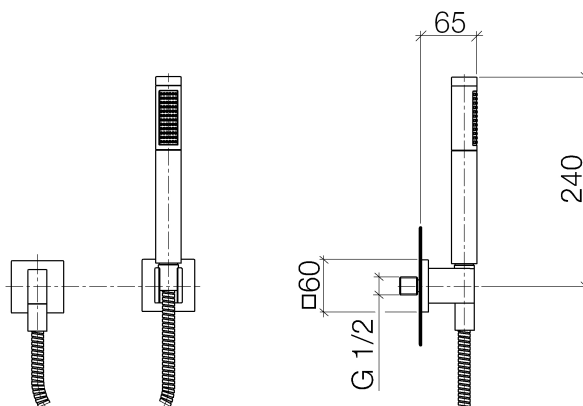
Number	Item Number	Designation	Number of units
--------	-------------	-------------	-----------------





Product specifications

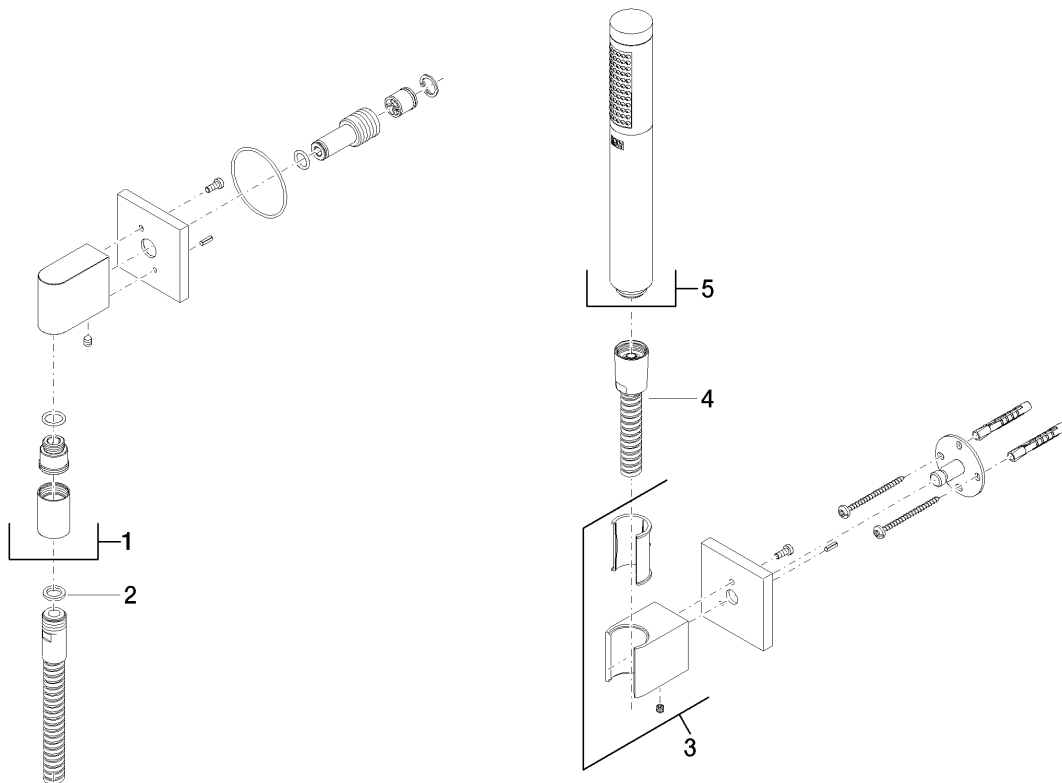
- Hand shower with descaling system and back flow preventer
 - 3/8" shower outlet
 - Hand shower bracket
 - Flange 2 3/8 x 2 3/8"
 - 3/8" x 1/2" x 49 1/4" shower hose with rotating hose connector
 - 1/2" wall elbow with back flow preventer
 - Total height 9 1/2"
 - Water flow rate limited to max. 2 gpm
- Internal backflow preventer.



Surfaces

- chrome 27808980-00
- matt platinum 27808980-06

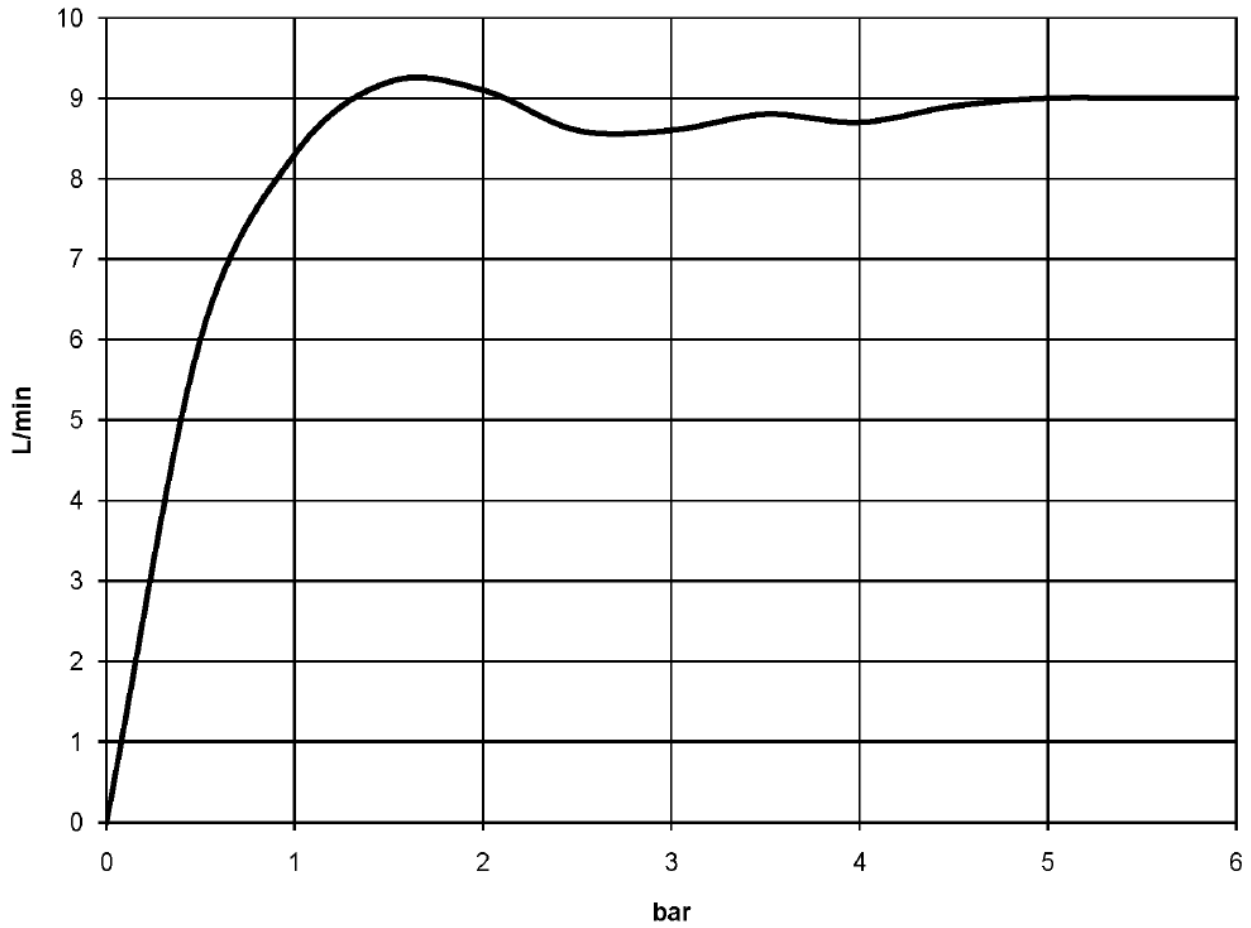
Exploded assembly drawing





Order quantity

No.	Article number	Name	Installation quantity
1	28450980ff	connection	1
2	09142002690	seal	1
3	28050980ff	holder	1
4	093002072ff	hose	1
5	28010979ff	shower	1





Shower - CL.1

Concealed thermostat with three-way volume control - polished chrome

Article number: 36 428 670-00 0010

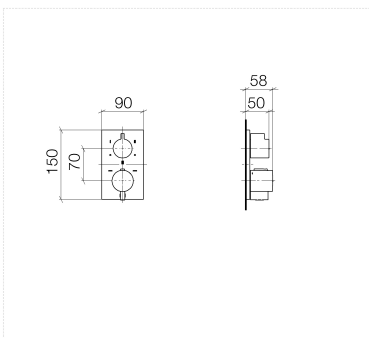
- Diverter with integrated volume control and integrated stops
- Cover plate 5-7/8" x 3-1/2"
- Temperature control handle with safety lock at 100 °F/ 38°C
- Max. temperature can be set on the trim
- (ADA)



polished chrome

Accessory is required for this item.

Dimensional drawing



All dimensions in mm / inch = mm x 0,0394



Shower - CL.1

Concealed thermostat with three-way volume control - polished chrome

Article number: 36 428 670-00 0010



Shower - CL.1

Concealed thermostat with three-way volume control - polished chrome

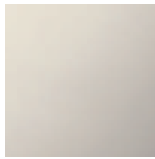
Article number: 36 428 670-00 0010

Other surface finishes



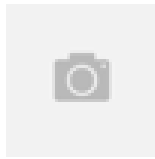
platinum matte

36 428 670-06 0010



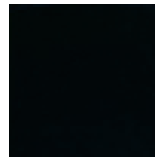
platinum

36 428 670-08 0010



Brushed Durabrass

36 428 670-28 0010



black matte

36 428 670-33 0010



Dark Platinum matte

36 428 670-99 0010

More custom finish options are available via special production (xTra Service). Please see our finish matrix for availability and pricing or contact a Dornbracht representative.

Required article



35 428 970-90 0010

Concealed thermostat with integrated supply stops -

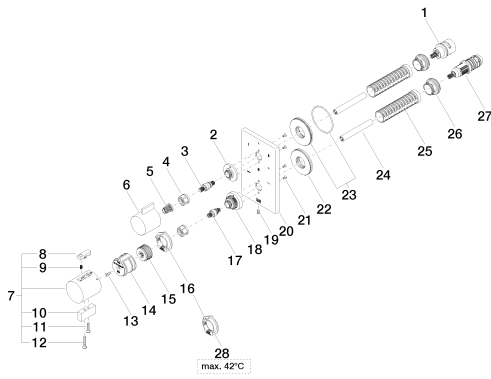


Shower - CL.1

Concealed thermostat with three-way volume control - polished chrome

Article number: 36 428 670-00 0010

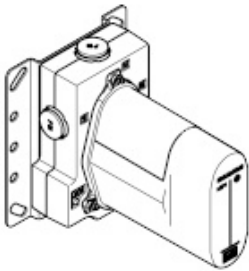
Spare parts list



Number	Item Number	Designation	Number of units
1	90 90 03 168 00 90	diverter	1
2	09 12 12 053-00	base	1
3	04 29 06 111 00-00	spindle	1
4	09 23 30 023 90	nut	2
5	09 12 12 002 90	fixing cap	1
6	09 20 67 006-00	handle	1
7	04 17 33 006 00-00	handle	1
8	09 21 33 010-00	handle	1
9	09 16 02 027 90	spring	1
10	09 20 33 006-00	handle	1
11	09 30 30 159-00	screw	1
12	09 30 30 160-00	screw	1
13	09 30 30 124 90	screw	1
14	09 12 12 052 90	base	1
15	09 12 12 054 90	base	1
16	09 28 10 152 90	regulator	1
17	04 29 06 024 00-00	spindle	1
18	09 12 12 051-00	base	1
19	09 31 11 134 90	pin	1
20	09 11 02 314-00	plate	1
21	09 30 30 157 90	screw	4
22	09 30 01 188 90	disc	1
23	90 30 01 190 00 90	disc	1
24	09 23 01 124 90	sleeve	2
25	09 18 40 077 90	sleeve	2
26	09 24 04 257 90	nut	2
27	90 15 02 012 00 90	cartridge	1
28	09 28 10 151 90	regulator	1



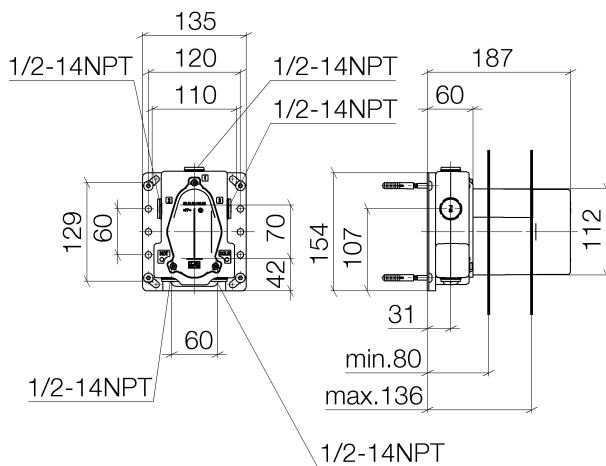
Shower - Concealed rough parts
Concealed thermostat with integrated supply stops -
Article number: 35 428 970-90 0010



- integrated stop
- lead free compliant
- 2x back flow preventer
- 2x Connection 1/2" IT (cold/warm), DN 15
- 3x outlet 1/2"
- Mud guard
- Water protection
- Noise and heat insulation
- Center to center 2-3/4"
- Wall elbow 1/2" (concealed rough parts) Also compatible with xGrid
- Only for combination with exposed trim parts 36 428 SSS-FF



Dimensional drawing

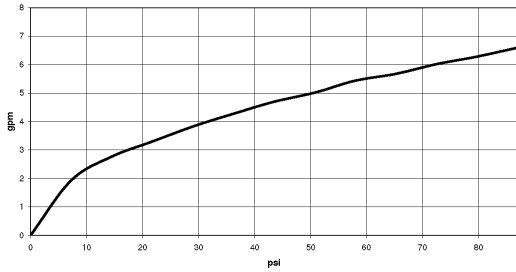


All dimensions in mm / inch = mm x 0,0394



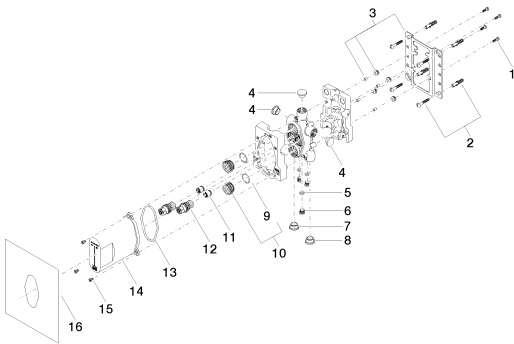
Shower - Concealed rough parts
Concealed thermostat with integrated supply stops -
Article number: 35 428 970-90 0010

Flow rate chart



Shower - Concealed rough parts
 Concealed thermostat with integrated supply stops -
 Article number: 35 428 970-90 0010

Spare parts list



Number	Item Number	Designation	Number of units
1	09 30 30 171 90	screw	4
2	04 30 31 024 01 90	fixing set	2
3	04 17 20 127 00 90	holder	1
4	09 31 20 092 90	plug	3
5	09 14 10 139 90	seal	2
6	09 31 20 039 10 90	plug	2
7	09 31 20 093 90	plug	2
8	09 31 20 094 90	plug	2
9	09 14 10 112 90	seal	2
10	04 30 11 149 00 90	plug	2
11	09 23 01 040 90	back-flow preventer	2
12	04 29 05 031 01 90	insert	2
13	09 14 10 512 90	seal	1
14	04 21 02 146 00 90	cap	1
15	09 30 30 112 90	screw	3
16	04 14 03 080 00 90	gasket kit	1