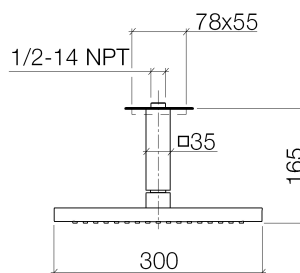
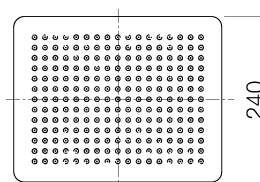




### Product specifications

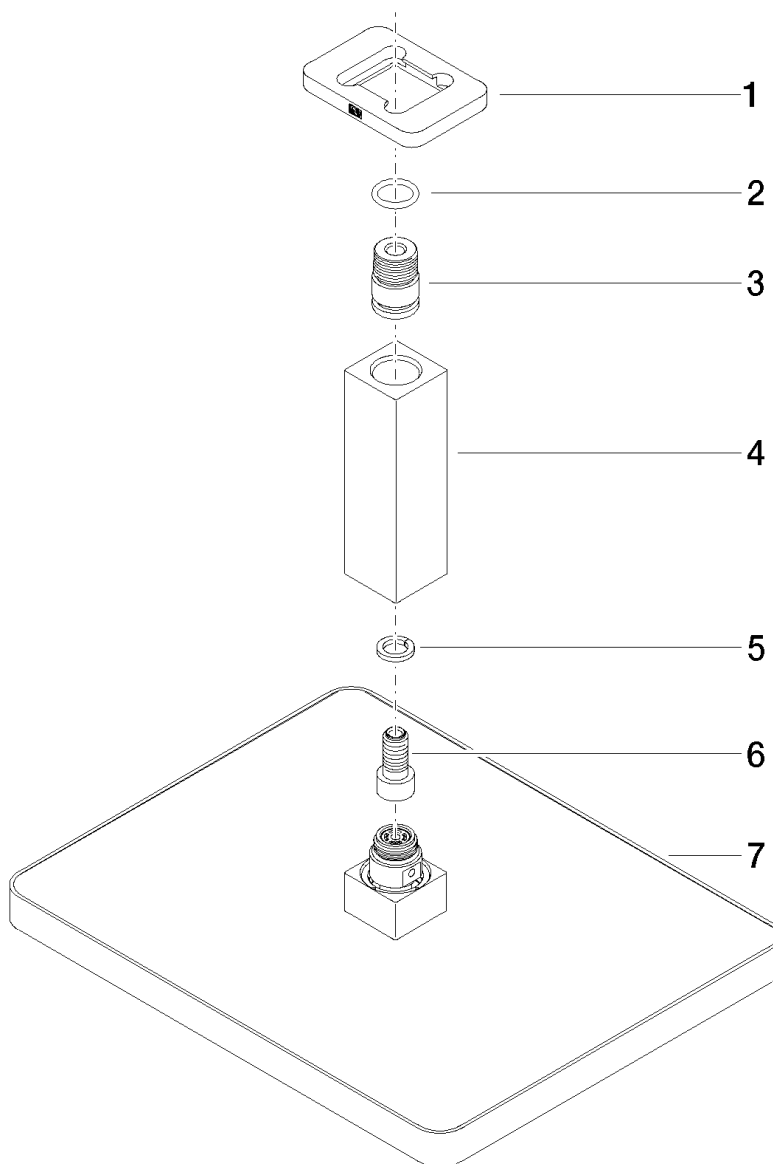
- Rain showerhead 11 3/4" x 9 1/2" with descaling system
- 1/2" connection
- 6 1/2" distance between ceiling and bottom of showerhead
- Water flow rate limited to max. 2 gpm
- Flange 3 1/8 x 2 1/8"



### Surfaces

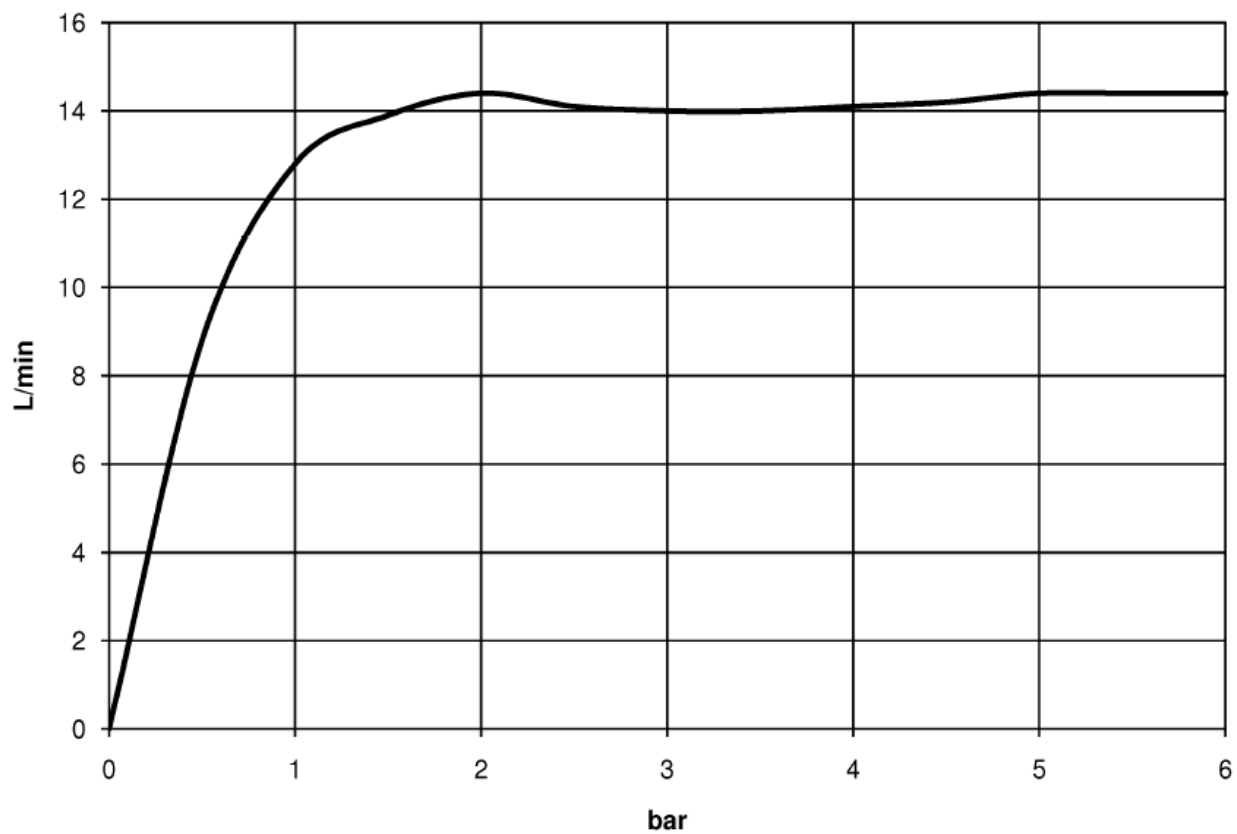
- |                 |                 |
|-----------------|-----------------|
| • chrome        | 28795710-000010 |
| • chrome        | 28795710-000010 |
| • matt platinum | 28795710-060010 |
| • matt platinum | 28795710-060010 |

**Exploded assembly drawing**



**Order quantity**

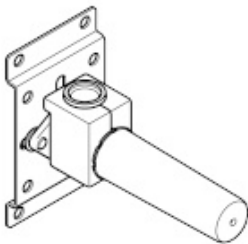
<b>No.</b>	<b>Article number</b>	<b>Name</b>	<b>Installation quantity</b>
1	092771020ff	rosette	1
2	09141010690	seal	1
3	09240426090	nipple	1
4	091110092ff	connection	1
5	09301118290	disc	1
6	09240425990	nipple	1
7	04120506010ff	shower	1





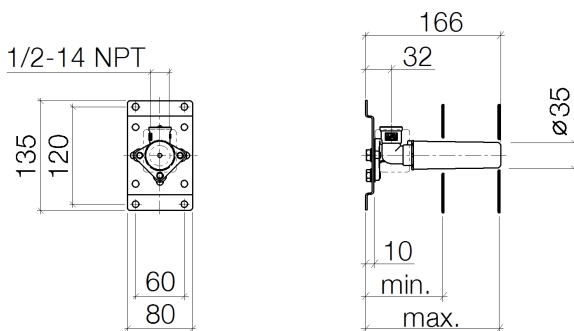
Bathtub - Concealed rough parts  
Concealed wall elbow -  
Article number: 35 085 970-90 0010

- brass, lead free
- female thread 1/2" connection
- 1x outlet 1/2"
- Mud guard
- Water protection
- Sound insulation



Discontinued items available to order until 31.12.9999

### Dimensional drawing



	min	max
CL.1	90	163
Deque	90	163
Domicil	90	163
Gentle	90	163
IMO	90	163
Lisé	90	163
MEM	90	163
Symetrics	90	163
Vaia	90	163

All dimensions in mm / inch = mm x 0,0394



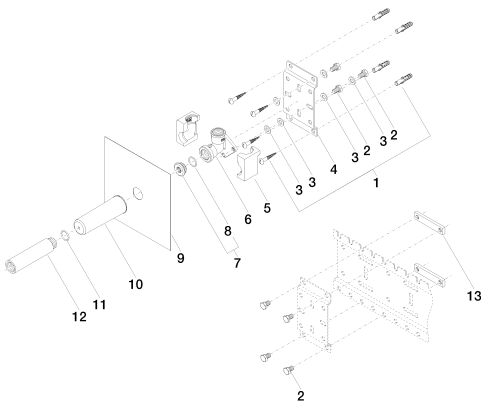
Bathtub - Concealed rough parts  
Concealed wall elbow -  
Article number: 35 085 970-90 0010

## Other surface finishes

More custom finish options are available via special production (xTra Service). Please see our finish matrix for availability and pricing or contact a Dornbracht representative.

Bathtub - Concealed rough parts  
 Concealed wall elbow -  
 Article number: 35 085 970-90 0010

Spare parts list

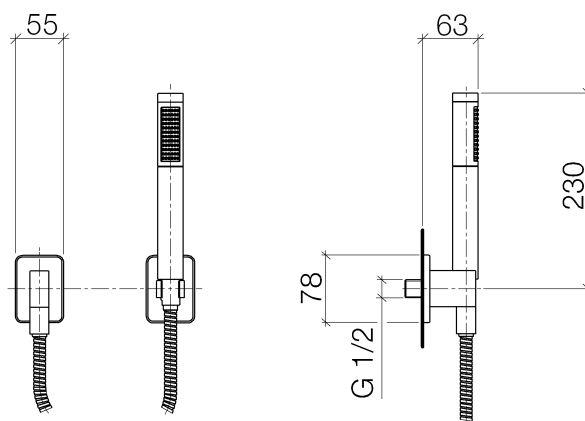


Number	Item Number	Designation	Number of units
1	04 30 31 024 01 90	fixing set	2
2	09 30 30 152 90	screw	7
3	09 30 11 139 90	disc	6
4	09 17 20 094 90	holder	1
5	09 11 11 036 90	accessories	1
6	09 11 03 042 10 90	connection	1
7	04 31 20 006 00 90	plug	1
8	04 14 03 072 00 90	gasket kit	1
9	09 21 02 102 90	cap	1
10	09 14 10 010 90	seal	1
11	09 24 03 169 10 90	adaptor	1
12	09 17 20 100 90	holder	2



**Product specifications**

- Hand shower with descaling system and back flow preventer
- Hand shower bracket
- 3/8" shower outlet
- 3/8" x 1/2" x 49 1/4" shower hose with rotating hose connector
- Flanges 3 1/8 x 2 1/8"
- Water flow rate limited to max. 2 gpm
- 1/2" wall elbow with back flow preventer  
Internal backflow preventer.



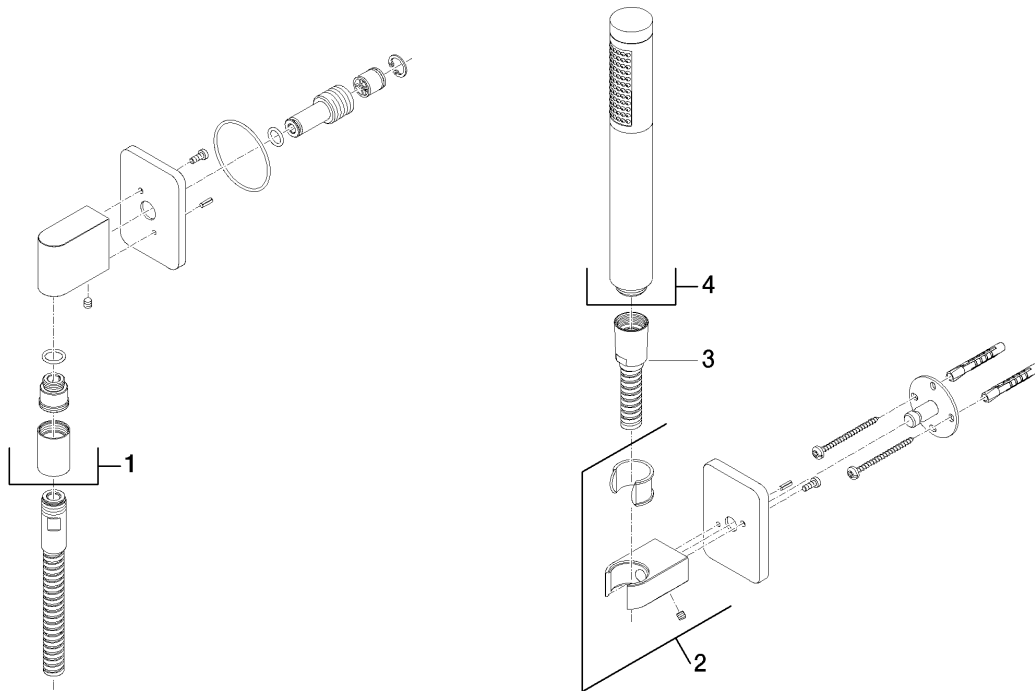
**Surfaces**

- |                 |             |
|-----------------|-------------|
| • chrome        | 27808710-00 |
| • chrome        | 27808710-00 |
| • matt platinum | 27808710-06 |
| • matt platinum | 27808710-06 |

**Accessories required**

- Rough-in adaptor; 35080970
- Rough-in adaptor; 35080970

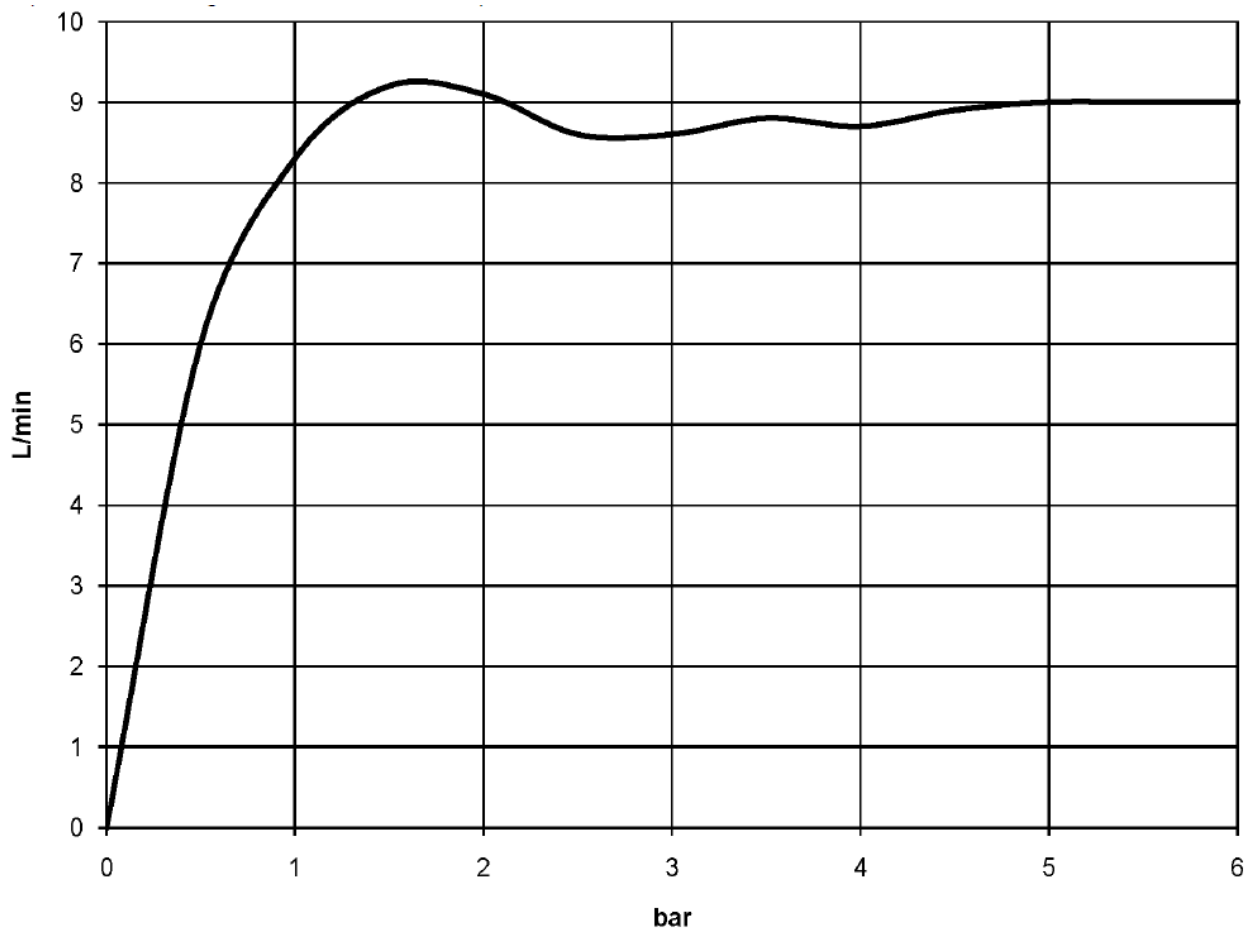
**Exploded assembly drawing**





**Order quantity**

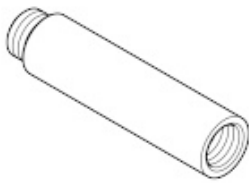
<b>No.</b>	<b>Article number</b>	<b>Name</b>	<b>Installation quantity</b>
1	28450710ff	connection	1
2	28050710ff	holder	1
3	093002072ff	hose	1
4	28010979ff	shower	1



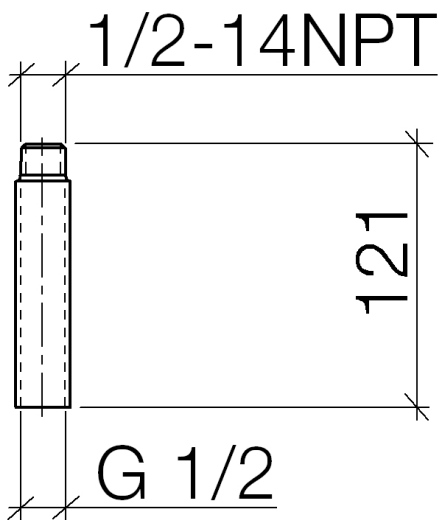


Bathtub - Concealed rough parts  
Rough-in adapter -  
Article number: 35 080 970-90 0010

- 1/2" male NPT x 1/2" female straight



### Dimensional drawing



All dimensions in mm / inch = mm x 0,0394



Bathtub - Concealed rough parts  
Rough-in adapter -  
Article number: 35 080 970-90 0010



Bathtub - Concealed rough parts  
Rough-in adapter -  
Article number: 35 080 970-90 0010

### Spare parts list

Number	Item Number	Designation	Number of units
--------	-------------	-------------	-----------------

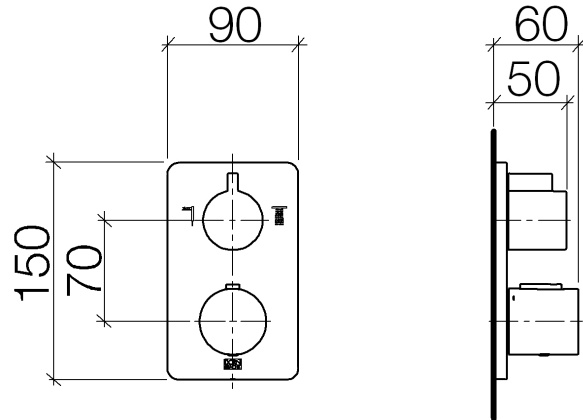




### Product specifications

#### Exposed trim parts only, rough to be ordered separately

- 2x sleeve with adapter, can be cut to length
  - Diverter and volume control with ceramic discs
  - Thermostat cartridge
  - Cover plate  $\varnothing$  5 7/8"
  - Cover plate 5 7/8" x 3 1/2"
  - Handle with lever
  - 2x mounting nut M 32 x 1
  - **Temperature control handle with safety lock at 100 °F/ 38°C**
  - max temperature can be set on the trim
- [ADA]





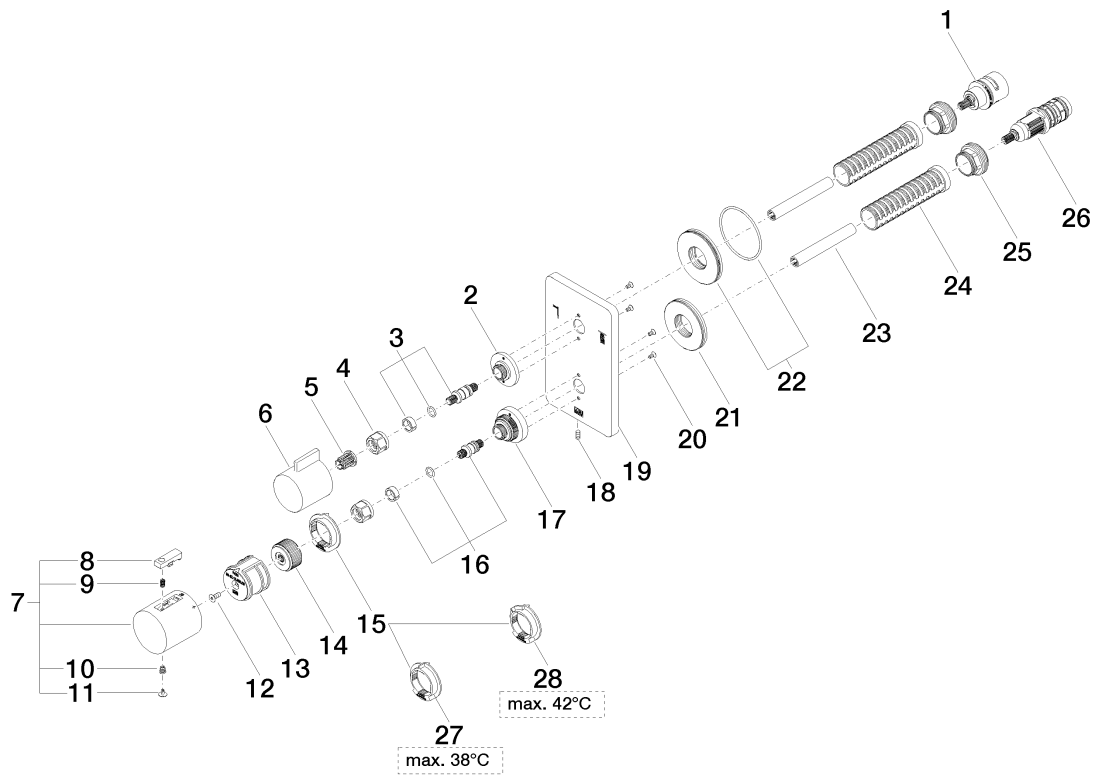
**Surfaces**

- chrome 36426710-000010
- chrome 36426710-000010
- matt platinum 36426710-060010
- matt platinum 36426710-060010

**Accessories required**

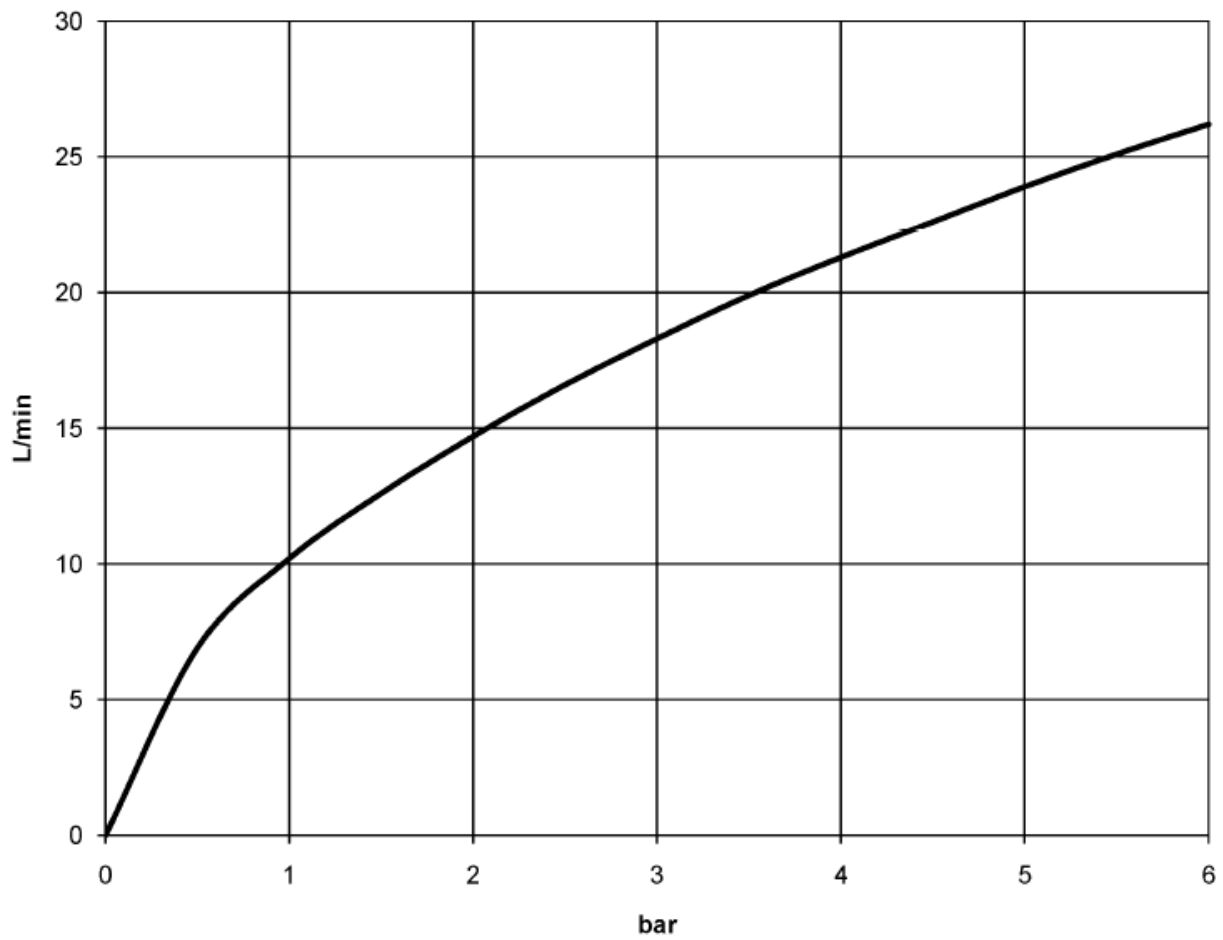
- Rough for concealed thermostat with integrated supply stops; 35426970
- Rough for concealed thermostat with integrated supply stops; 35426970

**Exploded assembly drawing**



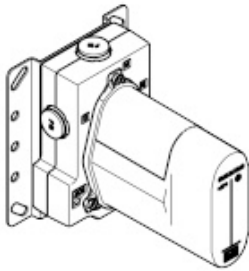
**Order quantity**

<b>No.</b>	<b>Article number</b>	<b>Name</b>	<b>Installation quantity</b>
1	9090031630090	diverter	1
2	091212053ff	base	1
3	04290611100ff	spindle	1
4	09233002390	nut	2
5	09121200290	fixing cap	1
6	092067006ff	handle	1
7	04173300401ff	handle	1
8	092133010ff	handle	1
9	09160202790	spring	1
10	092033006ff	handle	1
11	093030159ff	screw	1
12	093030160ff	screw	1
13	09303012490	screw	1
14	09121205290	base	1
15	09121205490	base	1
16	09281015290	regulator	1
17	04290602400ff	spindle	1
18	091212051ff	base	1
19	09311113490	pin	1
20	091102264ff	plate	1
21	09303015790	screw	4
22	09300118890	disc	1
23	9030011900090	disc	1
24	09230112490	sleeve	2
25	09184007790	sleeve	2
26	09240425790	nut	2
27	0415020110090	cartridge	1
28	09281015190	regulator	1

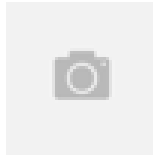




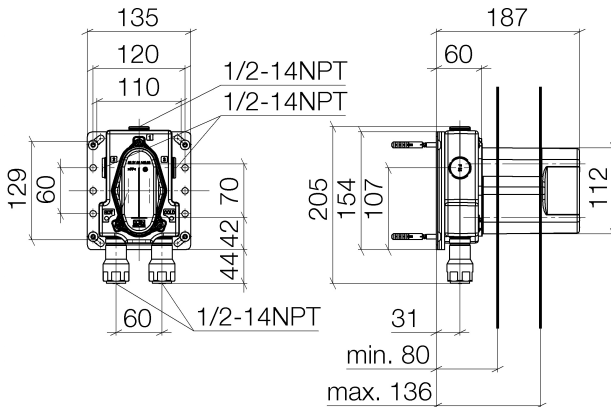
Shower - Concealed rough parts  
Concealed thermostat with integrated supply stops -  
Article number: 35 426 970-90 0010



- integrated stop
- lead free compliant
- 2x back flow preventer
- 2x Connection 1/2" IT (cold/warm), DN 15
- 3x outlet 1/2"
- Mud guard
- Water protection
- Noise and heat insulation
- Wall elbow 1/2" (concealed rough parts) Also compatible with xGrid
- Center to center 2-3/4"



Dimensional drawing

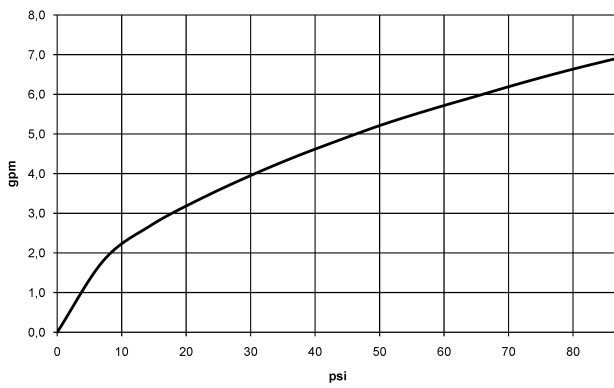


All dimensions in mm / inch = mm x 0,0394



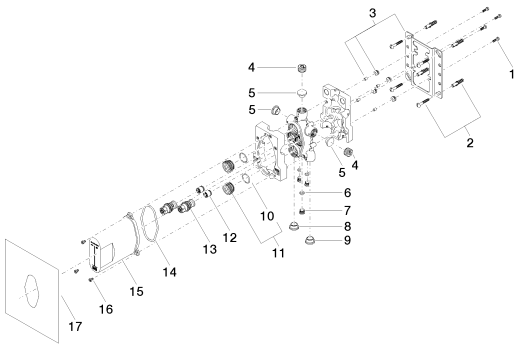
Shower - Concealed rough parts  
Concealed thermostat with integrated supply stops -  
Article number: 35 426 970-90 0010

### Flow rate chart



Shower - Concealed rough parts  
 Concealed thermostat with integrated supply stops -  
 Article number: 35 426 970-90 0010

Spare parts list



Number	Item Number	Designation	Number of units
1	09 30 30 171 90	screw	4
2	04 30 31 024 01 90	fixing set	2
3	04 17 20 127 00 90	holder	1
4	09 31 20 064 90	plug	2
5	09 31 20 092 90	plug	3
6	09 14 10 139 90	seal	3
7	09 31 20 039 10 90	plug	3
8	09 31 20 093 90	plug	1
9	09 31 20 094 90	plug	1
10	09 14 10 112 90	seal	2
11	04 30 11 149 00 90	plug	2
12	09 23 01 040 90	back-flow preventer	2
13	04 29 05 031 01 90	insert	2
14	09 14 10 512 90	seal	1
15	04 21 02 146 00 90	cap	1
16	09 30 30 112 90	screw	3
17	04 14 03 080 00 90	gasket kit	1