

Shower - IMO

Rain shower with wall fixing - platinum matt

Article number: 28 679 670-06 0010

- 450 mm projection
- rain flow
- with anti-scale system
- rain shower \varnothing 300mm
- rosette 65 x 65 mm
- 1/2" connection
- max. flow 6.8 l/min



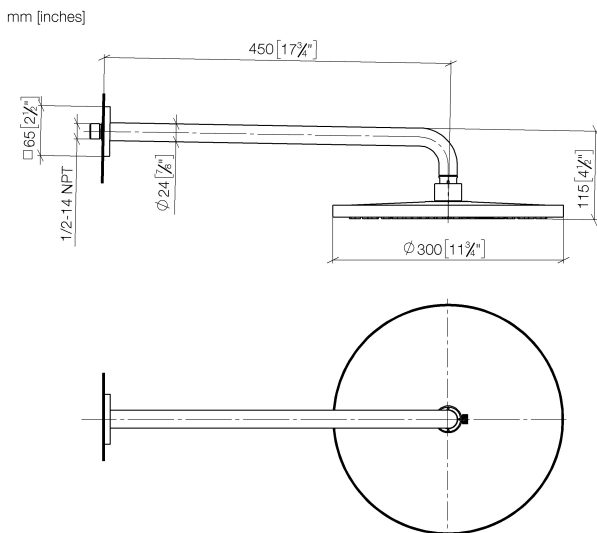
platinum matt



Miscellaneous items are required for this article.

Discontinued articles/items available to order until 31.12.9999

Dimensional drawing





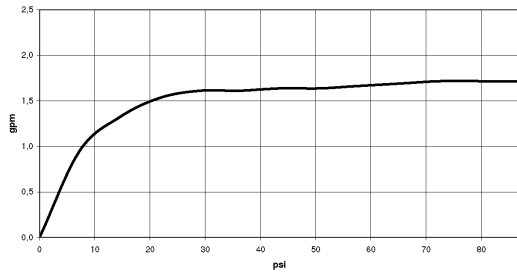
Shower - IMO

Rain shower with wall fixing - platinum matt

Article number: 28 679 670-06 0010

All details in mm / inch = mm x 0.0394

Flow rate chart





Shower - IMO

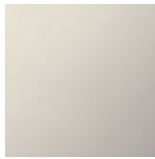
Rain shower with wall fixing - platinum matt

Article number: 28 679 670-06 0010

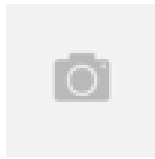
Other finish variants



polished chrome
28 679 670-00 0010



platinum
28 679 670-08 0010



brushed Durabronze
28 679 670-28 0010



chrome matt
28 679 670-93 0010

Other finishes on request (x-tra Service)



35 085 970-90 0010

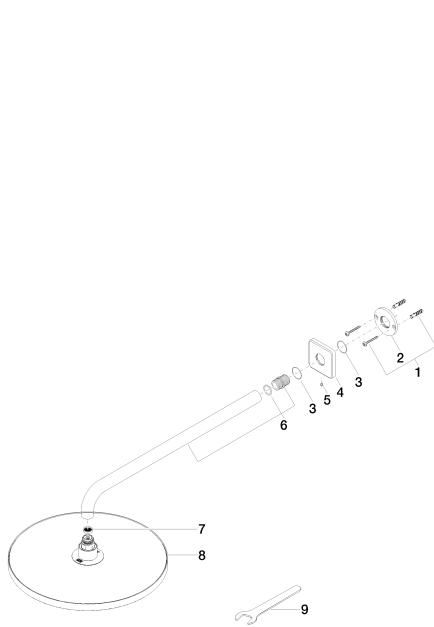
Concealed wall elbow -



Shower - IMO

Rain shower with wall fixing - platinum matt

Article number: 28 679 670-06 0010



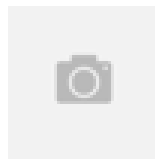
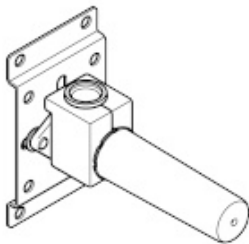
Spare parts list

No.	Item Number	Name	Quantity used
1	04 30 31 032 00 90	fixing set	1
2	09 17 20 120 90	holder	1
3	09 14 10 150 90	seal	2
4	09 27 67 015-06	rosette	1
5	09 31 11 038 90	pin	1
6	90 11 03 070 00-06	pipe	1
7	09 23 01 075 90	insert	1
8	04 12 05 091 10-06	shower	1
9	09 30 09 069 90	key	1



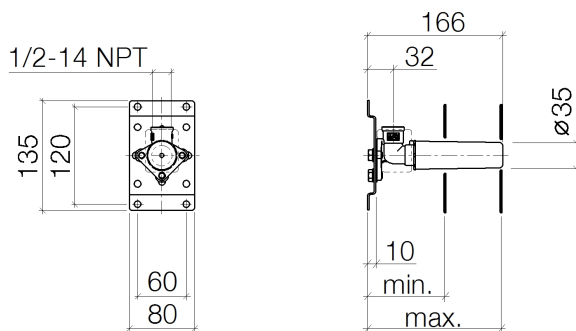
Bathtub - Concealed rough parts
Concealed wall elbow -
Article number: 35 085 970-90 0010

- brass, lead free
- female thread 1/2" connection
- 1x outlet 1/2"
- Mud guard
- Water protection
- Sound insulation



Discontinued items available to order until 31.12.9999

Dimensional drawing



	min	max
CL.1	90	163
Deque	90	163
Domicil	90	163
Gentle	90	163
IMO	90	163
Lisé	90	163
MEM	90	163
Symetrics	90	163
Vaia	90	163

All dimensions in mm / inch = mm x 0,0394



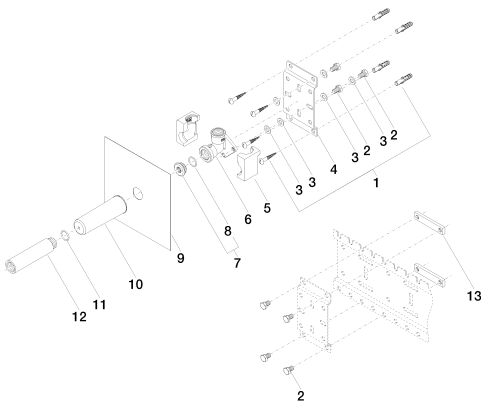
Bathtub - Concealed rough parts
Concealed wall elbow -
Article number: 35 085 970-90 0010

Other surface finishes

More custom finish options are available via special production (xTra Service). Please see our finish matrix for availability and pricing or contact a Dornbracht representative.

Bathtub - Concealed rough parts
 Concealed wall elbow -
 Article number: 35 085 970-90 0010

Spare parts list

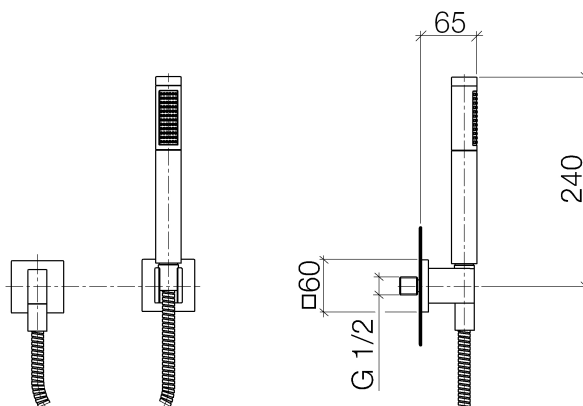


Number	Item Number	Designation	Number of units
1	04 30 31 024 01 90	fixing set	2
2	09 30 30 152 90	screw	7
3	09 30 11 139 90	disc	6
4	09 17 20 094 90	holder	1
5	09 11 11 036 90	accessories	1
6	09 11 03 042 10 90	connection	1
7	04 31 20 006 00 90	plug	1
8	04 14 03 072 00 90	gasket kit	1
9	09 21 02 102 90	cap	1
10	09 14 10 010 90	seal	1
11	09 24 03 169 10 90	adaptor	1
12	09 17 20 100 90	holder	2



Product specifications

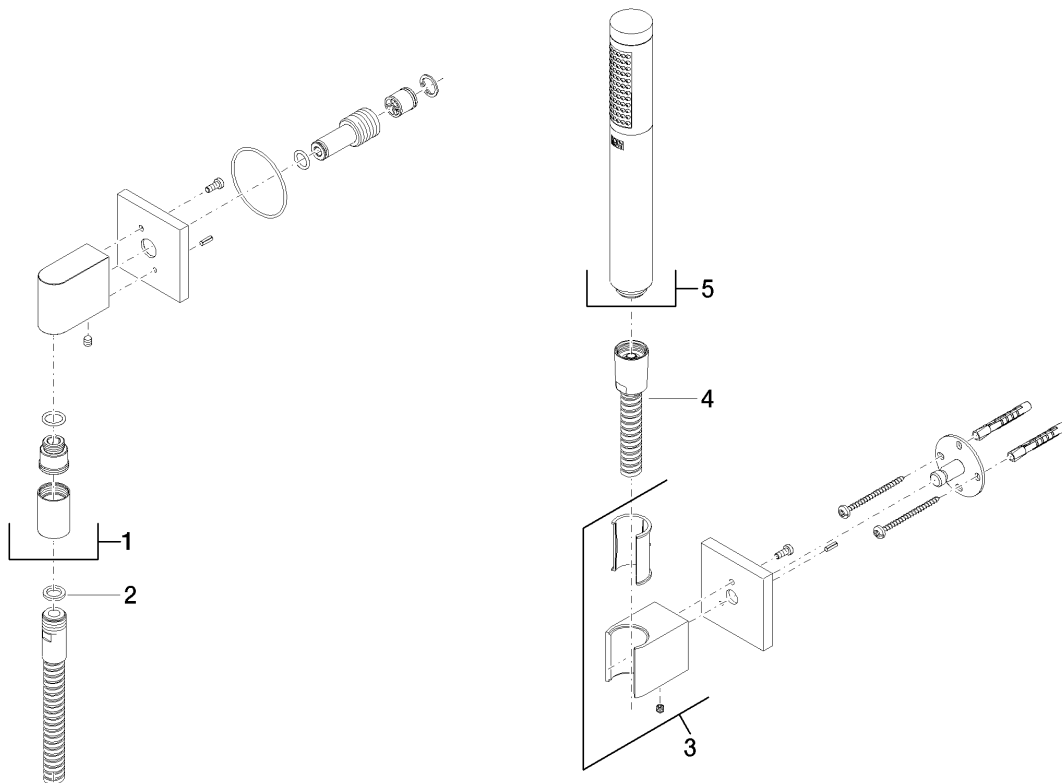
- Hand shower with descaling system and back flow preventer
 - 3/8" shower outlet
 - Hand shower bracket
 - Flange 2 3/8 x 2 3/8"
 - 3/8" x 1/2" x 49 1/4" shower hose with rotating hose connector
 - 1/2" wall elbow with back flow preventer
 - Total height 9 1/2"
 - Water flow rate limited to max. 2 gpm
- Internal backflow preventer.



Surfaces

- chrome 27808980-00
- matt platinum 27808980-06

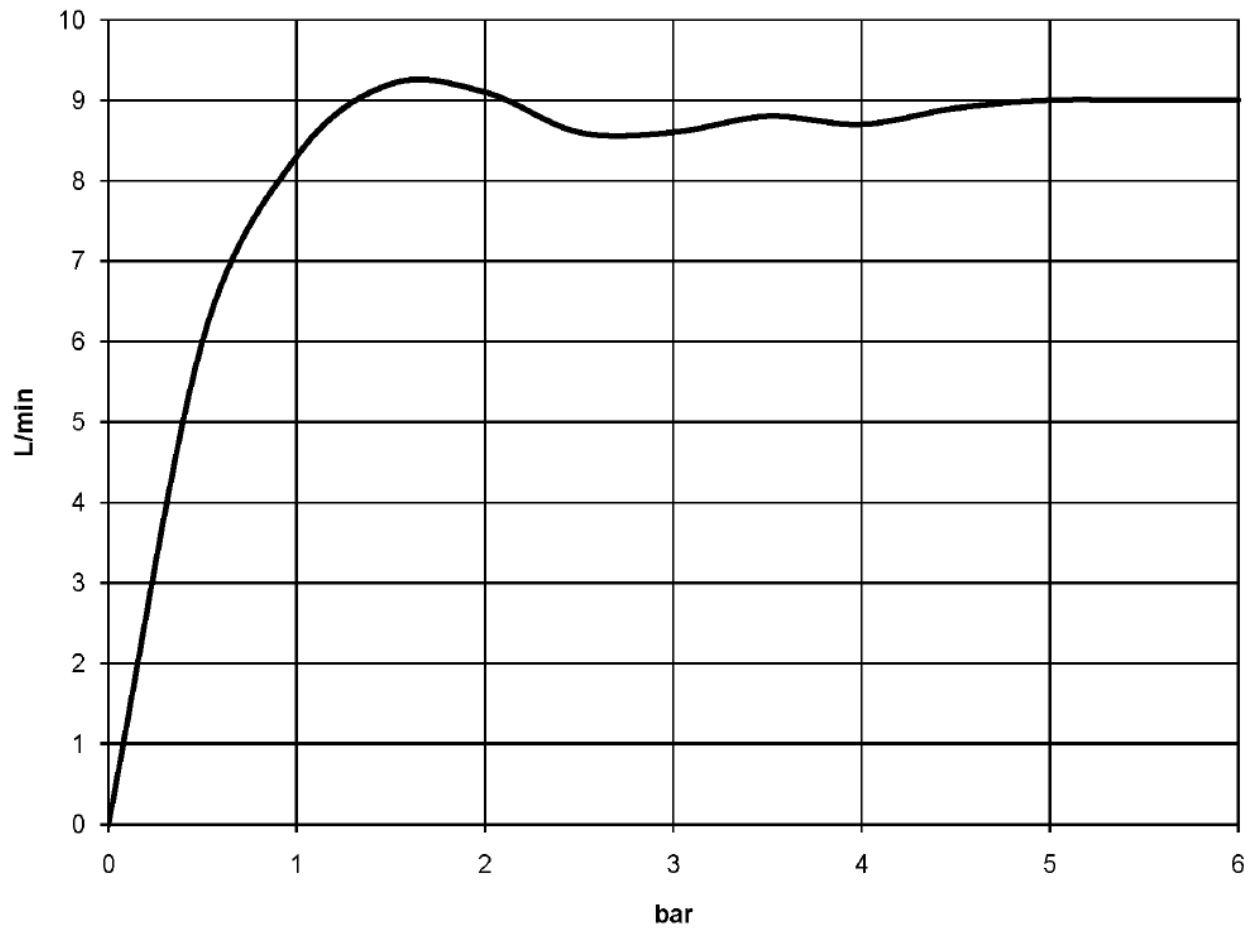
Exploded assembly drawing





Order quantity

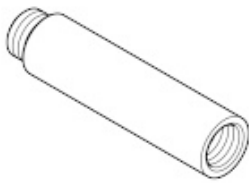
No.	Article number	Name	Installation quantity
1	28450980ff	connection	1
2	09142002690	seal	1
3	28050980ff	holder	1
4	093002072ff	hose	1
5	28010979ff	shower	1



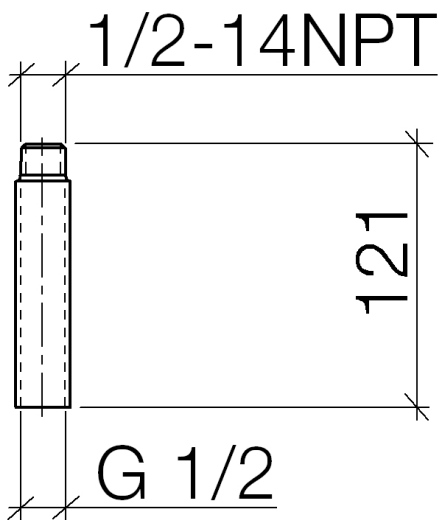


Bathtub - Concealed rough parts
Rough-in adapter -
Article number: 35 080 970-90 0010

- 1/2" male NPT x 1/2" female straight



Dimensional drawing



All dimensions in mm / inch = mm x 0,0394



Bathtub - Concealed rough parts
Rough-in adapter -
Article number: 35 080 970-90 0010



Bathtub - Concealed rough parts
Rough-in adapter -
Article number: 35 080 970-90 0010

Spare parts list

Number	Item Number	Designation	Number of units
--------	-------------	-------------	-----------------

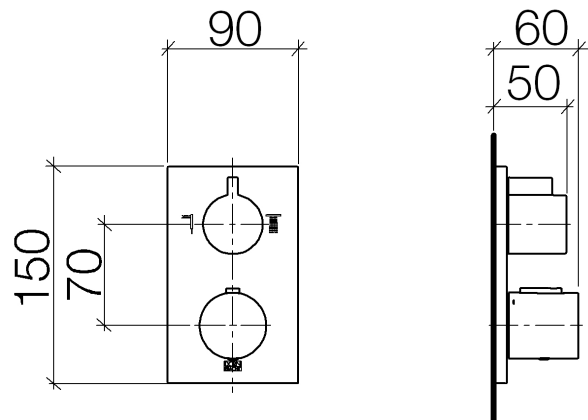




Product specifications

Exposed trim parts only, rough to be ordered separately

- 2x sleeve with adapter, can be cut to length
 - Diverter and volume control with ceramic discs
 - Thermostat cartridge
 - Cover plate 5 7/8" x 3 1/2"
 - Handle with lever
 - 2x mounting nut M 32 x 1
 - **Temperature control handle with safety lock at 38°**
 - max temperature can be set on the trim
- [ADA]



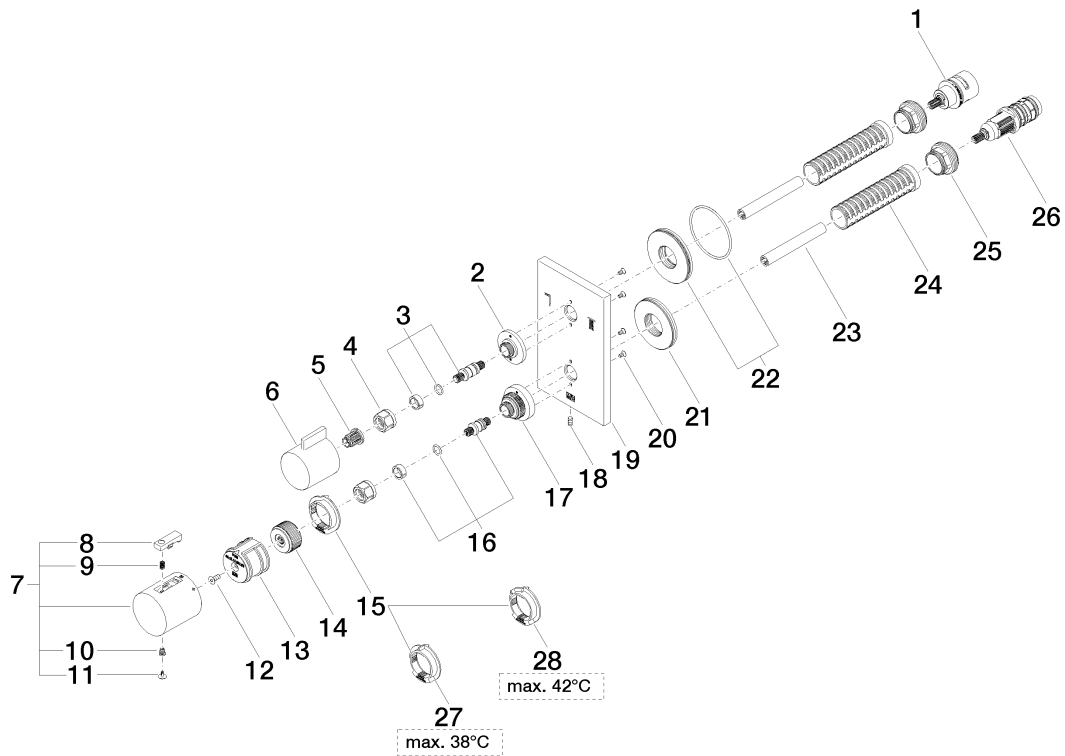
Surfaces

- chrome 36426670-000010
- matt platinum 36426670-060010

Accessories required

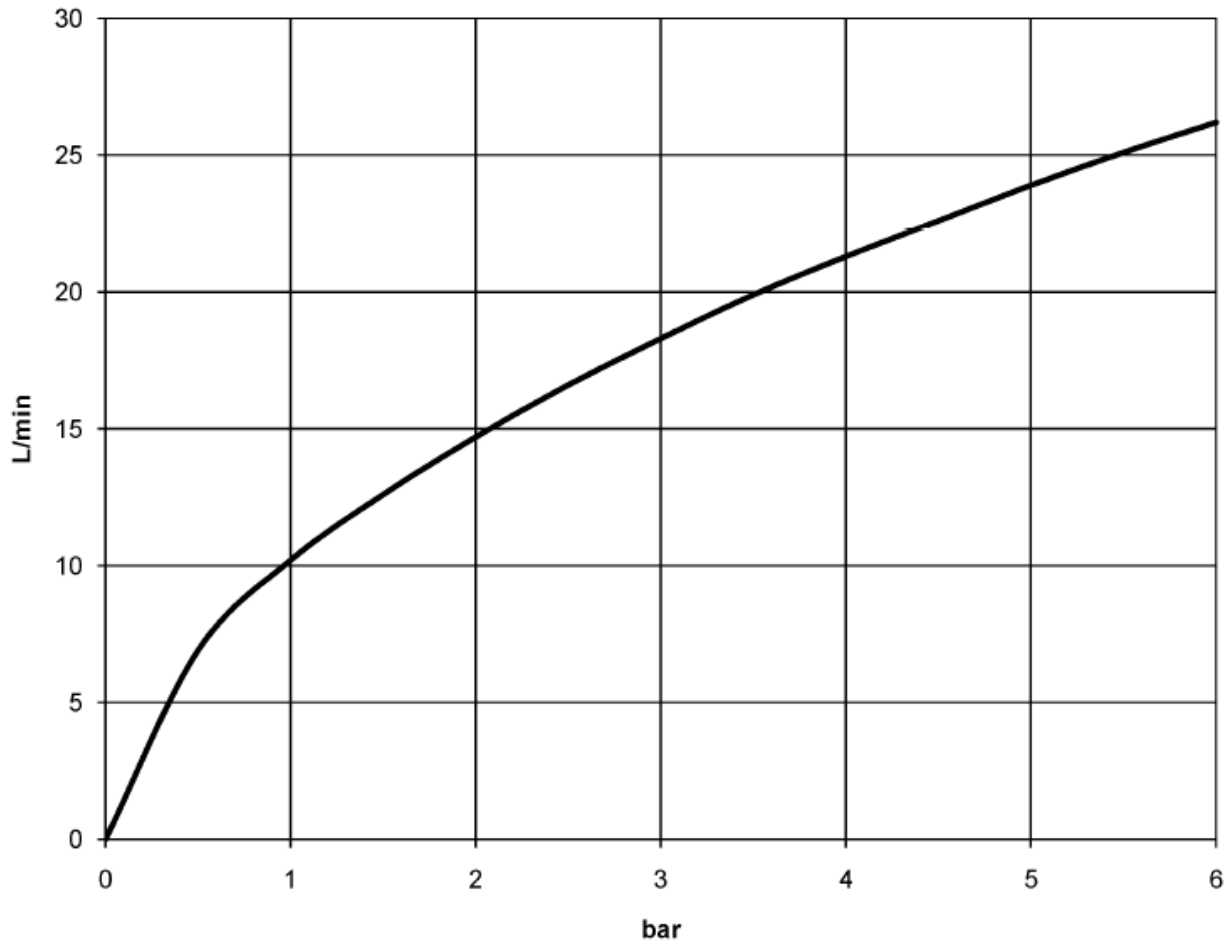
- Rough for concealed thermostat with integrated supply stops; 35426970

Exploded assembly drawing



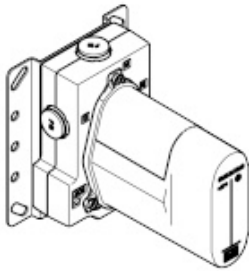
Order quantity

No.	Article number	Name	Installation quantity
1	9090031630090	diverter	1
2	091212053ff	base	1
3	04290611100ff	spindle	1
4	09233002390	nut	2
5	09121200290	fixing cap	1
6	092067006ff	handle	1
7	04173300600ff	handle	1
8	092133010ff	handle	1
9	09160202790	spring	1
10	092033006ff	handle	1
11	093030159ff	screw	1
12	093030160ff	screw	1
13	09303012490	screw	1
14	09121205290	base	1
15	09121205490	base	1
16	09281015290	regulator	1
17	04290602400ff	spindle	1
18	091212051ff	base	1
19	09311113490	pin	1
20	091102263ff	plate	1
21	09303015790	screw	4
22	09300118890	disc	1
23	9030011900090	disc	1
24	09230112490	sleeve	2
25	09184007790	sleeve	2
26	09240425790	nut	2
27	0415020110090	cartridge	1
28	09281015190	regulator	1

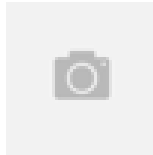




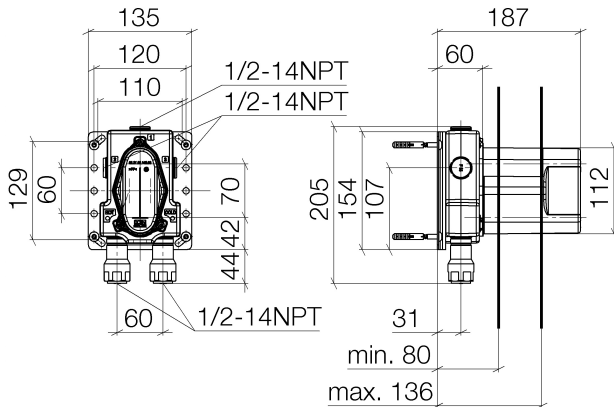
Shower - Concealed rough parts
Concealed thermostat with integrated supply stops -
Article number: 35 426 970-90 0010



- integrated stop
- lead free compliant
- 2x back flow preventer
- 2x Connection 1/2" IT (cold/warm), DN 15
- 3x outlet 1/2"
- Mud guard
- Water protection
- Noise and heat insulation
- Wall elbow 1/2" (concealed rough parts) Also compatible with xGrid
- Center to center 2-3/4"



Dimensional drawing

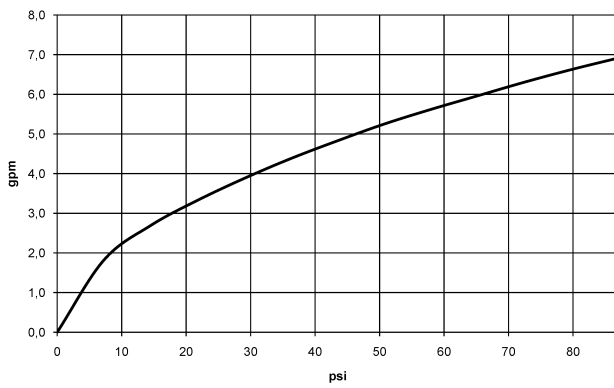


All dimensions in mm / inch = mm x 0,0394



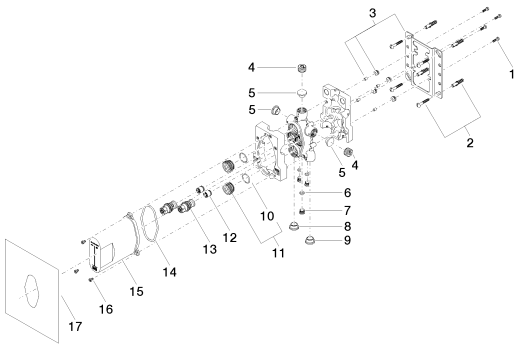
Shower - Concealed rough parts
Concealed thermostat with integrated supply stops -
Article number: 35 426 970-90 0010

Flow rate chart



Shower - Concealed rough parts
 Concealed thermostat with integrated supply stops -
 Article number: 35 426 970-90 0010

Spare parts list



Number	Item Number	Designation	Number of units
1	09 30 30 171 90	screw	4
2	04 30 31 024 01 90	fixing set	2
3	04 17 20 127 00 90	holder	1
4	09 31 20 064 90	plug	2
5	09 31 20 092 90	plug	3
6	09 14 10 139 90	seal	3
7	09 31 20 039 10 90	plug	3
8	09 31 20 093 90	plug	1
9	09 31 20 094 90	plug	1
10	09 14 10 112 90	seal	2
11	04 30 11 149 00 90	plug	2
12	09 23 01 040 90	back-flow preventer	2
13	04 29 05 031 01 90	insert	2
14	09 14 10 512 90	seal	1
15	04 21 02 146 00 90	cap	1
16	09 30 30 112 90	screw	3
17	04 14 03 080 00 90	gasket kit	1