

PRODUCT SPECIFICATIONS

Elkay Quartz Perfect Drain 3-1/2" Removable Polymer Basket Strainer and Rubber Stopper. Overall dimensions are 4-1/8" x 4-1/8" x 3-1/16". Made of Polymer.

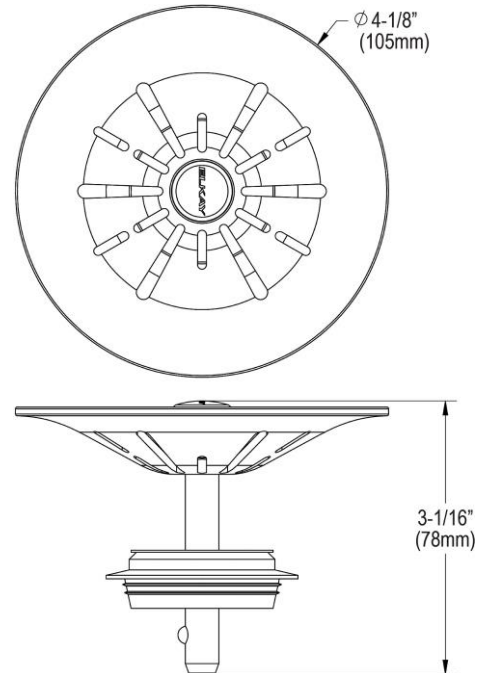
Material:	Polymer
Finish:	Bisque (BQ), Black (BLK), Caviar (CA), Charcoal (CH), Chestnut (CN), Dusk Gray (GY), Greige (GR), Greystone (GS), Jubilee (JB), Maraschino (MA), Mocha (MC), Parchment (PA), Putty (PT), Ricotta (RT), Silvermist (SM), White (WHT)
Dimensions:	4-1/8" x 4-1/8" x 3-1/16"
Shipping Weight:	.5 lbs.

- **COLOR MATCH:** Coordinate your drain to match the color of your Elkay Quartz Classic or Quartz Luxe sink.
- **POLYMER:** Material is infused with color, and will not chip or scratch off from daily use.
- **BASKET STRAINER AND STOPPER:** Strainer catches food and waste from going down the drain. Use stopper to fill sink with water for washing and soaking.
- **DURABLE:** Corrosion resistant for long-lasting durability.
- **EASY CLEANING:** Wash by hand with a mild detergent and soft cloth; rinse.



AMERICAN PRIDE. A LIFETIME TRADITION.
Like your family, the Elkay family has values and traditions that endure. For almost a century, Elkay has been a family-owned and operated company, providing thousands of jobs that support our families and communities.

[Clean and Care Manual \(PDF\)](#)
[Warranty \(PDF\)](#)



PART: _____ QTY: _____
 PROJECT: _____
 CONTACT: _____
 DATE: _____
 NOTES: _____
 APPROVAL: _____

In keeping with our policy of continuing product improvement, Elkay reserves the right to change product specifications without notice. Please visit elkay.com for the most current version of Elkay product specification sheets. This specification describes an Elkay product with design, quality, and functional benefits to the user. When making a comparison of other producers' offerings, be certain these features are not overlooked.



Mocha
(MC)



Parchment
(PA)



Putty
(PT)



Ricotta
(RT)



Silvermist
(SM)



White
(WH)

In keeping with our policy of continuing product improvement, Elkay reserves the right to change product specifications without notice. Please visit elkay.com for the most current version of Elkay product specification sheets. This specification describes an Elkay product with design, quality, and functional benefits to the user. When making a comparison of other producers' offerings, be certain these features are not overlooked.

PRODUCT SPECIFICATIONS

Elkay Quartz Perfect Drain 3-1/2" Polymer Disposer Flange with Removable Basket Strainer and Rubber Stopper. Overall dimensions are 4" x 4" x 2-1/4". Made of Polymer.

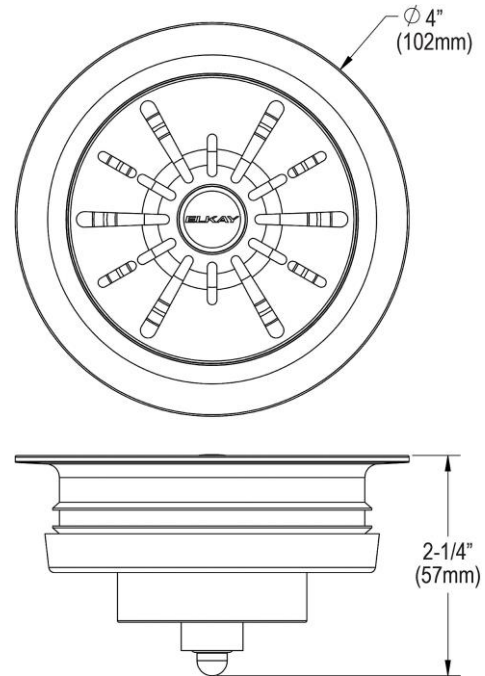
Material:	Polymer
Finish:	Black (BLK), Caviar (CA), Charcoal (CH), Chestnut (CN), Greystone (GS), Jubilee (JB), Maraschino (MA), Mocha (MC), Parchment (PA), Ricotta (RT), Silvermist (SM), White (WHT)
Dimensions:	4" x 4" x 2-1/4"
Shipping Weight:	1 lbs.

- **COLOR MATCH:** Coordinate your drain to match the color of your Elkay Quartz Classic or Quartz Luxe sink.
- **POLYMER:** Material is infused with color, and will not chip or scratch off from daily use.
- **DISPOSER READY:** Designed for garbage disposals that accommodate 4-1/2" flange or select InSinkErator disposers.
- **DURABLE:** Corrosion resistant for long-lasting durability.
- **EASY CLEANING:** Wash by hand with a mild detergent and soft cloth; rinse.



AMERICAN PRIDE. A LIFETIME TRADITION.
Like your family, the Elkay family has values and traditions that endure. For almost a century, Elkay has been a family-owned and operated company, providing thousands of jobs that support our families and communities.

[Clean and Care Manual \(PDF\)](#)
[Warranty \(PDF\)](#)



PART: _____ QTY: _____
 PROJECT: _____
 CONTACT: _____
 DATE: _____
 NOTES: _____
 APPROVAL: _____

In keeping with our policy of continuing product improvement, Elkay reserves the right to change product specifications without notice. Please visit elkay.com for the most current version of Elkay product specification sheets. This specification describes an Elkay product with design, quality, and functional benefits to the user. When making a comparison of other producers' offerings, be certain these features are not overlooked.