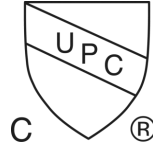


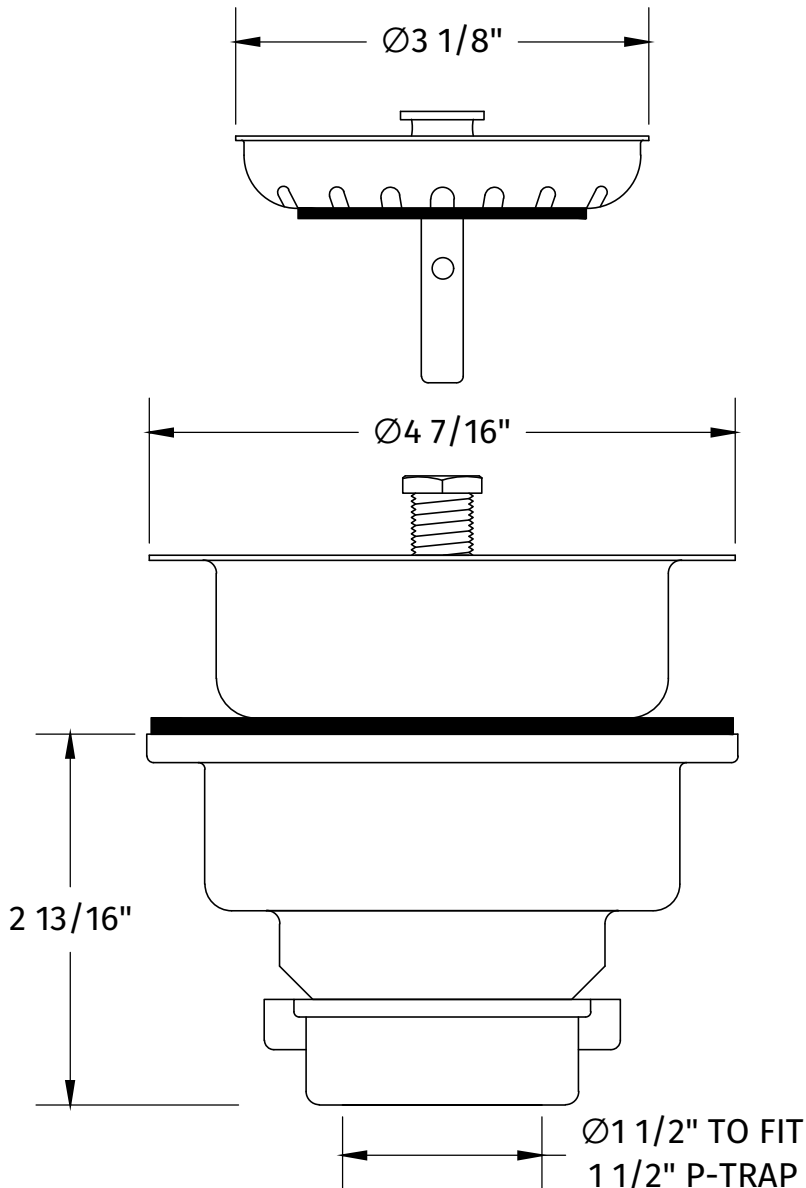
# MT300

## 3-1/2" DELUXE STEMBALL KITCHEN SINK STRAINER



A McAlpine Company  
**Mountain**  
Plumbing Products

### SPECIFICATION SHEET



- WILL FIT STANDARD Ø3 1/2" DRAIN OPENING
- BRASS OR STAINLESS STEEL FLANGE DEPENDING ON FINISH
- POLYPROPYLENE STRAINER BODY WON'T CORRODE
- SPRING-LOADED STAINLESS STEEL POST ALLOWS FOR SMOOTH OPERATION
- FITS SINKS UP TO 1-3/16" THICK (FOR THICKER SINKS, ORDER BRBOLT/90 TO ALLOW UP TO 2 3/4" THICKNESS)

#### **WARRANTY**

FOR WARRANTY INFO PLEASE VISIT [WWW.MOUNTAINPLUMBING.COM/PAGE/RESOURCES/WARRANTY](http://WWW.MOUNTAINPLUMBING.COM/PAGE/RESOURCES/WARRANTY)

#### **FINISH CARE & MAINTENANCE**

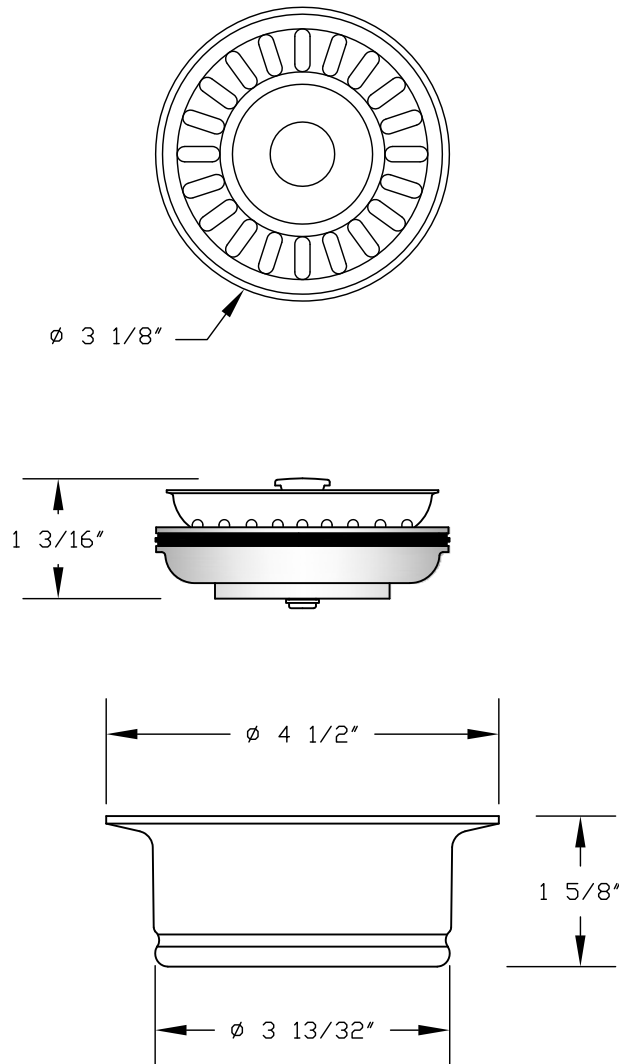
NEVER USE ANY HARSH ALKALI, ACID BASED DETERGENTS OR CLEANERS SUCH AS SOFT SCRUB®, SCRUBBING BUBBLES® OR COMET® TO CLEAN. DO NOT USE BRILLO® AND SCOTCH BRITE® PADS. THESE WILL ALL HARM THE FINISH. TO CLEAN, USE ONLY A DAMP SOFT CLOTH AND WIPE USING A SOFT CLOTH. STANDARD WINDEX® CAN ALSO BE USED SPARINGLY. IT IS NOT NECESSARY TO WIPE HARD TO REMOVE SPOTS. TO MAINTAIN THE FINISH, WIPE WITH A SOFT DRY CLOTH AFTER USE. AN OCCASIONAL COAT OF PURE CARNAUBA WAX WITHOUT CLEANERS WILL HELP PROTECT THE FINISH.

SPECIFICATIONS SUBJECT TO CHANGE WITHOUT NOTICE

# MT200EV

## KITCHEN WASTE DISPOSER FLANGE AND BASKET STRAINER WITH BASKET STRAINER

### SPECIFICATION SHEET



### **THIS WASTE DISPOSER FLANGE AND BASKET STRAINER OFFERS THE FOLLOWING FEATURES & BENEFITS:**

USE WITH CONTINUOUS FEED WASTE DISPOSERS THAT HAVE A  $3 \frac{3}{8}"$  INSIDE DIAMETER

FITS EVOLUTION AND ALL INSINKERATOR DISPOSERS INCLUDING BADGER

ALSO FITS KENMORE, MAYTAG, ACE, KITCHEN AID AND WHIRLPOOL DISPOSERS

SPRING LOADED BALL IN METAL POST ASSURES CONTINUOUS SMOOTH OPERATION

ACCEPTS INSINKERATOR SILENCER GASKET

FIT SINKS UP TO  $\frac{5}{8}"$  THICK. USE MT202 FOR FIRECLAY AND THICKER SINKS.

### FINISH CARE & MAINTENANCE

NEVER USE ANY HARSH ALKALI, ACID BASED DETERGENTS OR CLEANERS SUCH AS SOFT SCRUB<sup>®</sup>, SCRUBBING BUBBLES<sup>®</sup> OR COMET<sup>®</sup> TO CLEAN. DO NOT USE BRILLO<sup>®</sup> AND SCOTCH BRITE<sup>®</sup> PADS. THESE WILL ALL HARM THE FINISH. TO CLEAN, USE ONLY A DAMP SOFT CLOTH AND WIPE USING A SOFT CLOTH. STANDARD WINDEX CAN ALSO BE USED SPARINGLY. TO MAINTAIN THE FINISH, WIPE WITH A SOFT DRY CLOTH. AN OCCASIONAL COAT OF PURE CARNUBA WAX WITHOUT CLEANERS WILL HELP PROTECT THE FINISH.

### WARRANTY

ONE YEAR WARRANTY ON PLATED FINISHES, 90 DAY WARRANTY ON DRB, EB, MHB, TB AND WCP AND LIFETIME ON PVD PROVIDED PROPER CARE HAS BEEN USED. ONE YEAR WARRANTY ON ALL PARTS. APPLIES TO ORIGINAL PURCHASER. CLAIMS REQUIRE PROOF OF PURCHASE.