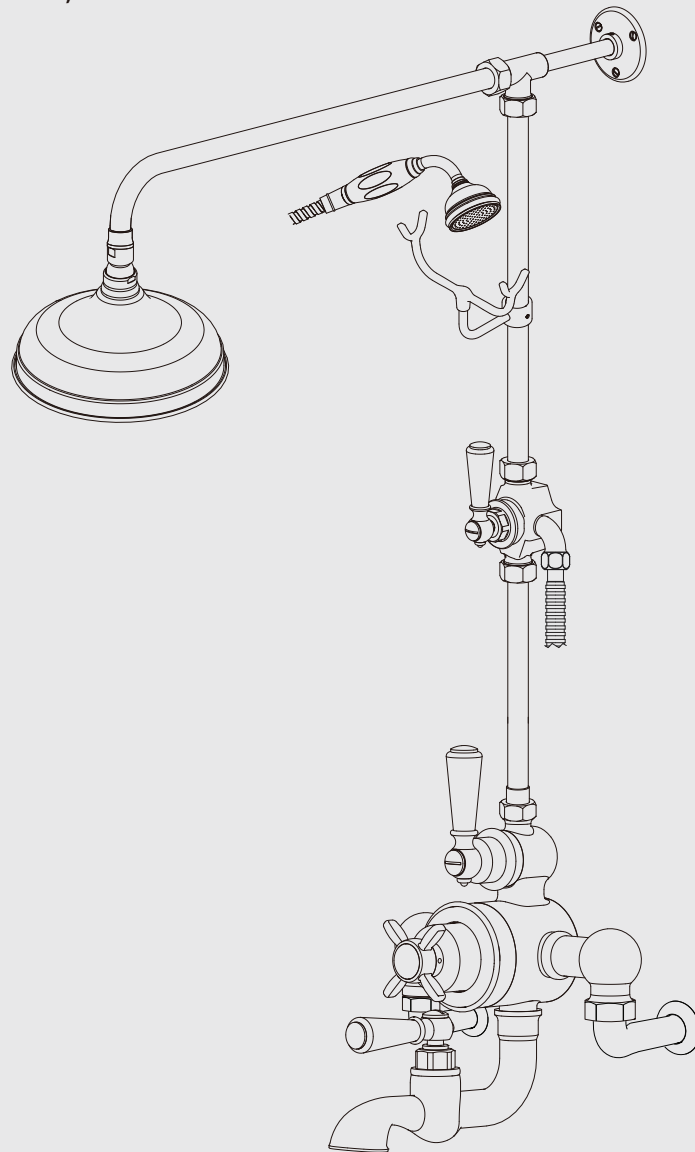




INSTALLATION INSTRUCTIONS

GD-8825 WM

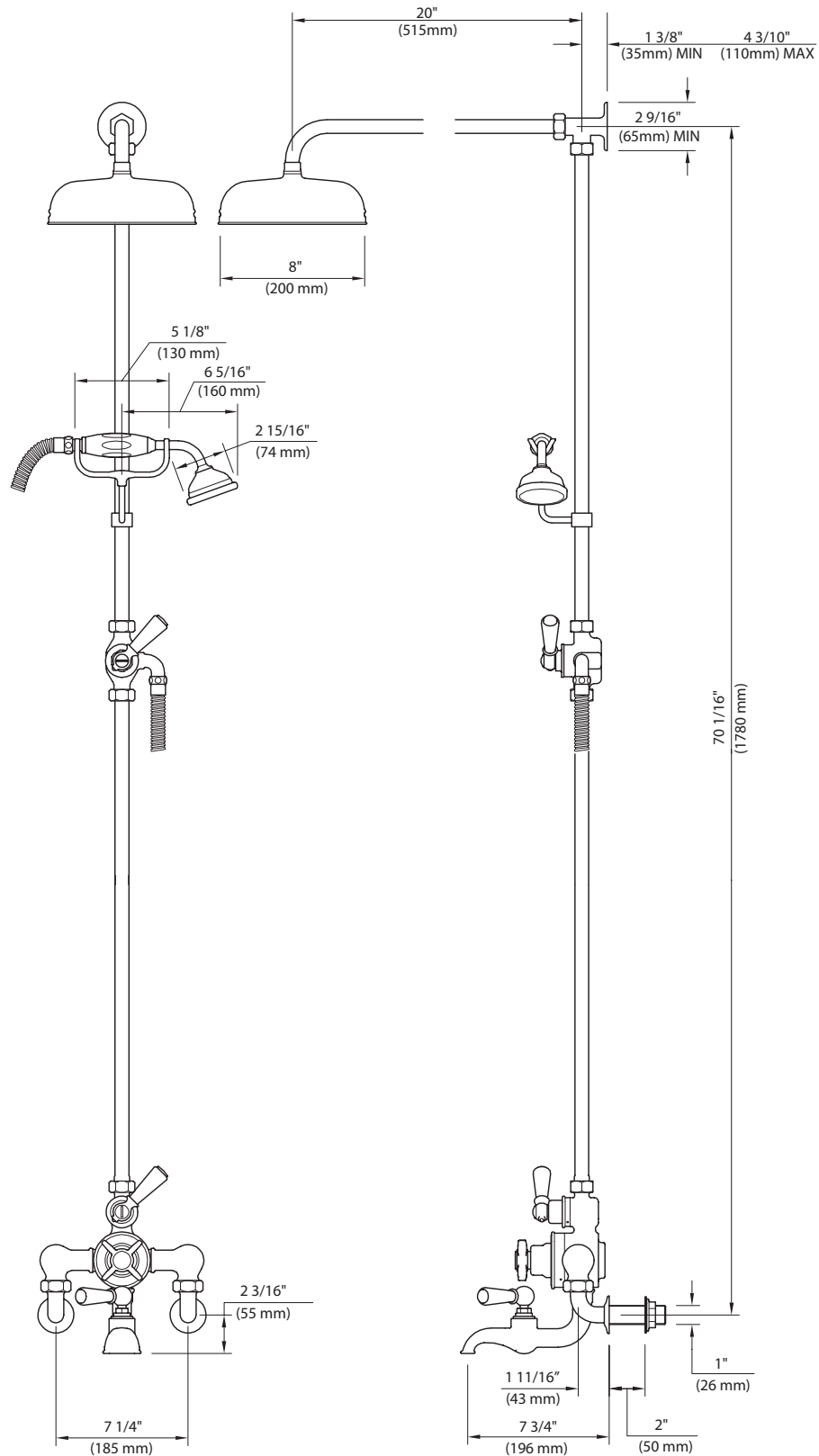
EXPOSED WHITE LEVER THERMOSTATIC BATH/SHOWER MIXING VALVE WITH RISER KIT, HANDSET, LEVER DIVERTER, 8" ROSE, AND ADJUSTABLE PIPE BRACKET



WALL MOUNTED

LEFROY BROOKS

Dimensions in Inches (& Millimetres)

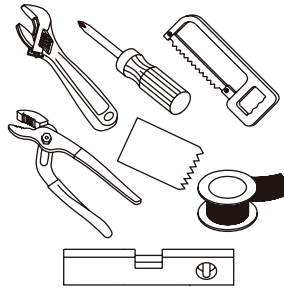


Whilst every effort is made to ensure accuracy, design and dimensions are subject to change without notice as part of the company's product development process.

What you need to know

Tools:

Adjustable Wrench
Groove Joint Pliers
Hacksaw
Phillips Screwdriver
Pipe Tape
Spatula
Spirit Level



Maintenance

Your new bathroom faucet is designed for years of trouble-free performance.

Keep it looking new by cleaning it periodically with a soft cloth. Avoid abrasive cleaners, wire wool and harsh chemicals as these will dull the finish and void your warranty.

Safety Tips

If you are soldering during faucet installation, remove cartridges, seats, gaskets and washers prior to applying flame, otherwise you will void the warranty.

Cover drain openings to avoid losing small parts.

When cutting or soldering pipe, use safety glasses to protect your eyes.

Important Points

Prior to beginning installation, turn off the cold and hot water lines and open the old faucet to release built-up pressure.

Overtightening nuts may cause damage.

Wrap all threaded connections with pipe tape available at your local plumbing supply store. Always wrap in a clockwise direction. The fittings should be installed by a state-licensed plumber.

Please note:

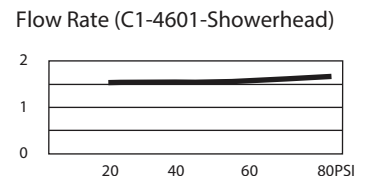
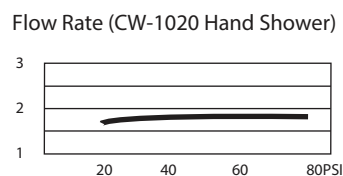
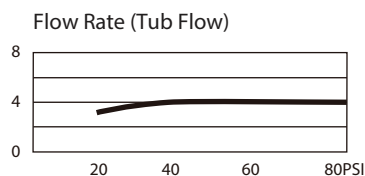
When there is a difference in water pressure between hot and cold supplies to the mixing valve, the pressures should be equalized by a plumber in accordance with best practice and legislation.

Things You May Need

Correct installation may vary depending on previous faucet installation. All necessary supplies required for faucet installation are not included, but may be found where plumbing supplies are sold. It is suggested that IAPMO and/or CSA approved plumbing supplies are used during installation.

Standards Flow Rates

IAPMO/cUPC Listed
Meets A112.18.1
Meets ASSE 1016

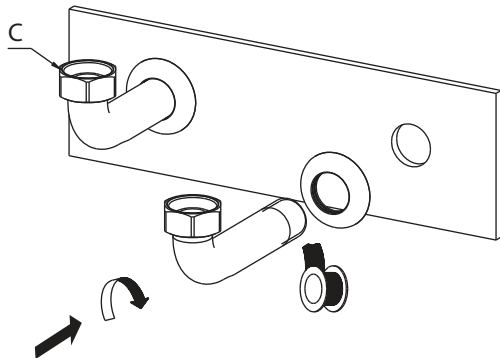
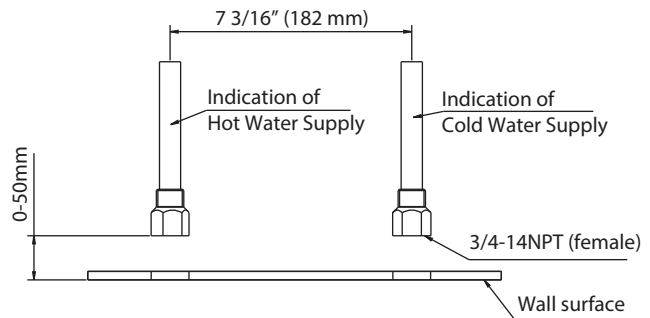
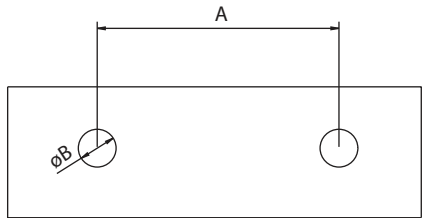


Final achievable flow rate is dependent on the outlets fitted, see relevant outlets (spouts, roses, sprays) for fully assembled product flow rate.

Steps 1-4

Installation Procedure

Lefroy Brooks always recommends that plumbing products be installed by a licensed professional. Shut off main water supply before installation.

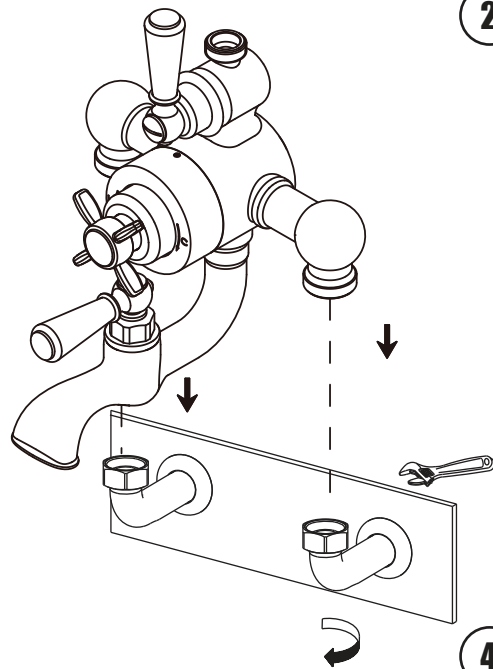


1

2

3

4



1 Before installation, mark the wall with these dimensions:
A - 7-3/16" (182mm) - distance between holes,
B - 1-1/10"-1-1/2" (28-40mm) - hole diameter.

2 Make sure the dimensions for the in-wall water supply system are as indicated above.

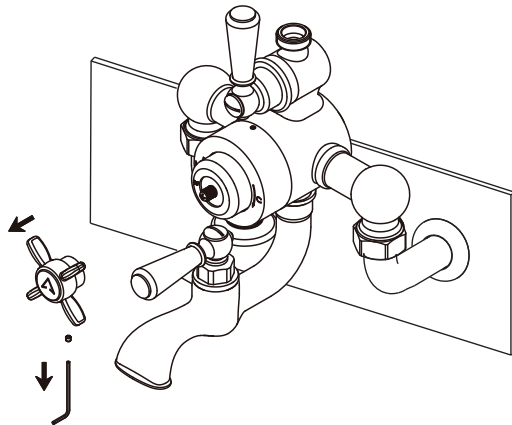
3 Install the return bends to the wall. After installation, make sure that the nut top surface (C) is horizontal.

4 Install the faucet onto the return bends. Screw the nut tightly to seal securely.

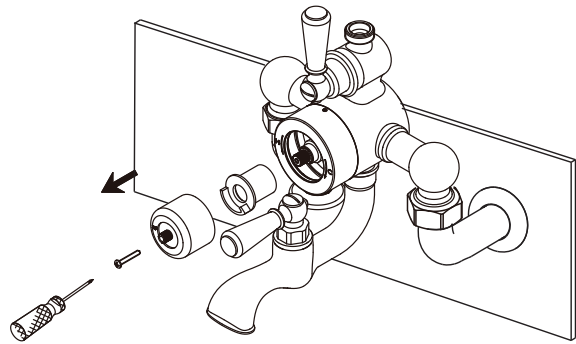
Steps 5-8

Installation Procedure

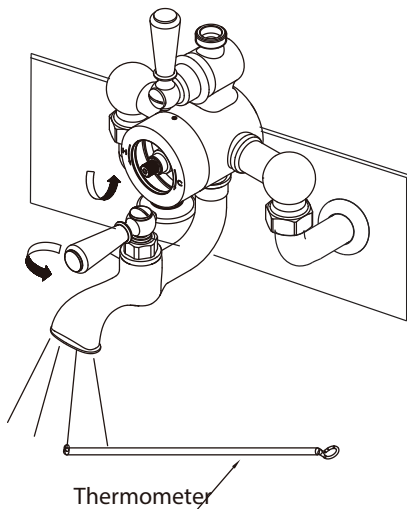
Lefroy Brooks always recommends that plumbing products be installed by a licensed professional. Shut off main water supply before installation.



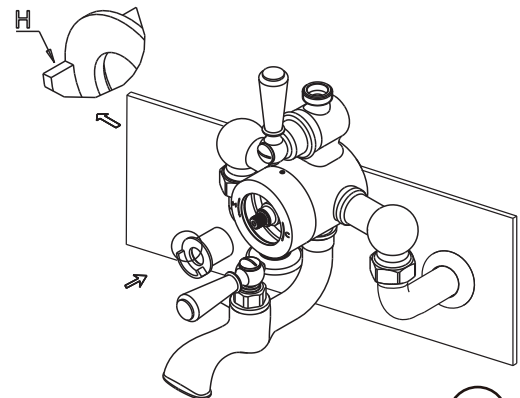
5



6



7



8

5 Unscrew the set screw and take off the handle.

6 Undo the screw and take off the adaptor and stopper.

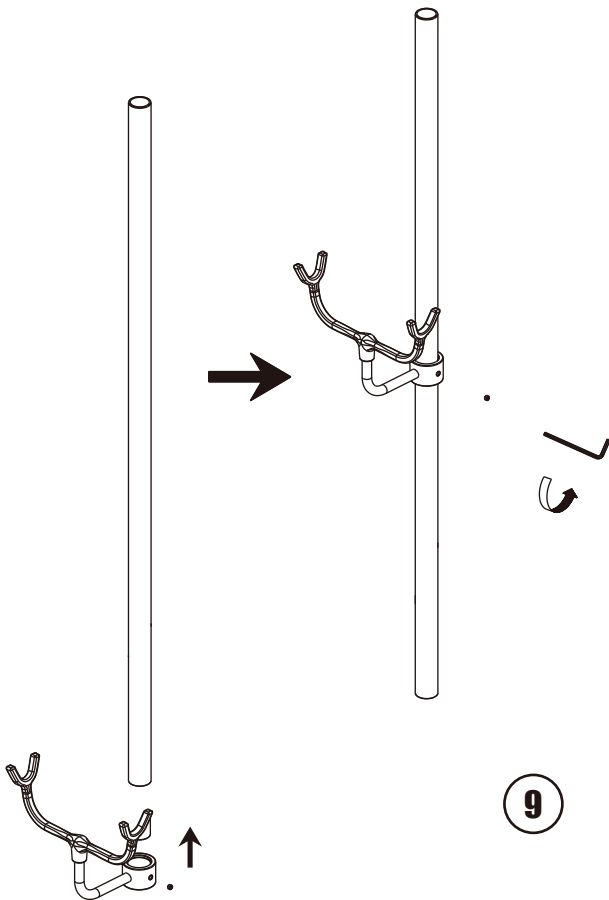
7 Turn off the water supply. Install the stopper and make sure its "H" plane as the figure mentioned is horizontal and on the left side.

8 Turn off the water supply. Install the stopper and make sure its "H" plane as the figure mentioned is horizontal and on the left side.

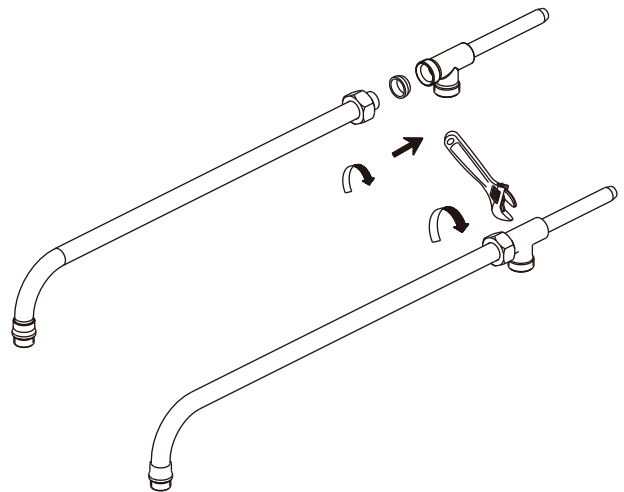
Steps 9-10

Installation Procedure

Lefroy Brooks always recommends that plumbing products be installed by a licensed professional. Shut off main water supply before installation.



- 9** Fix riser kit with shower cradle by fixing the set screw.

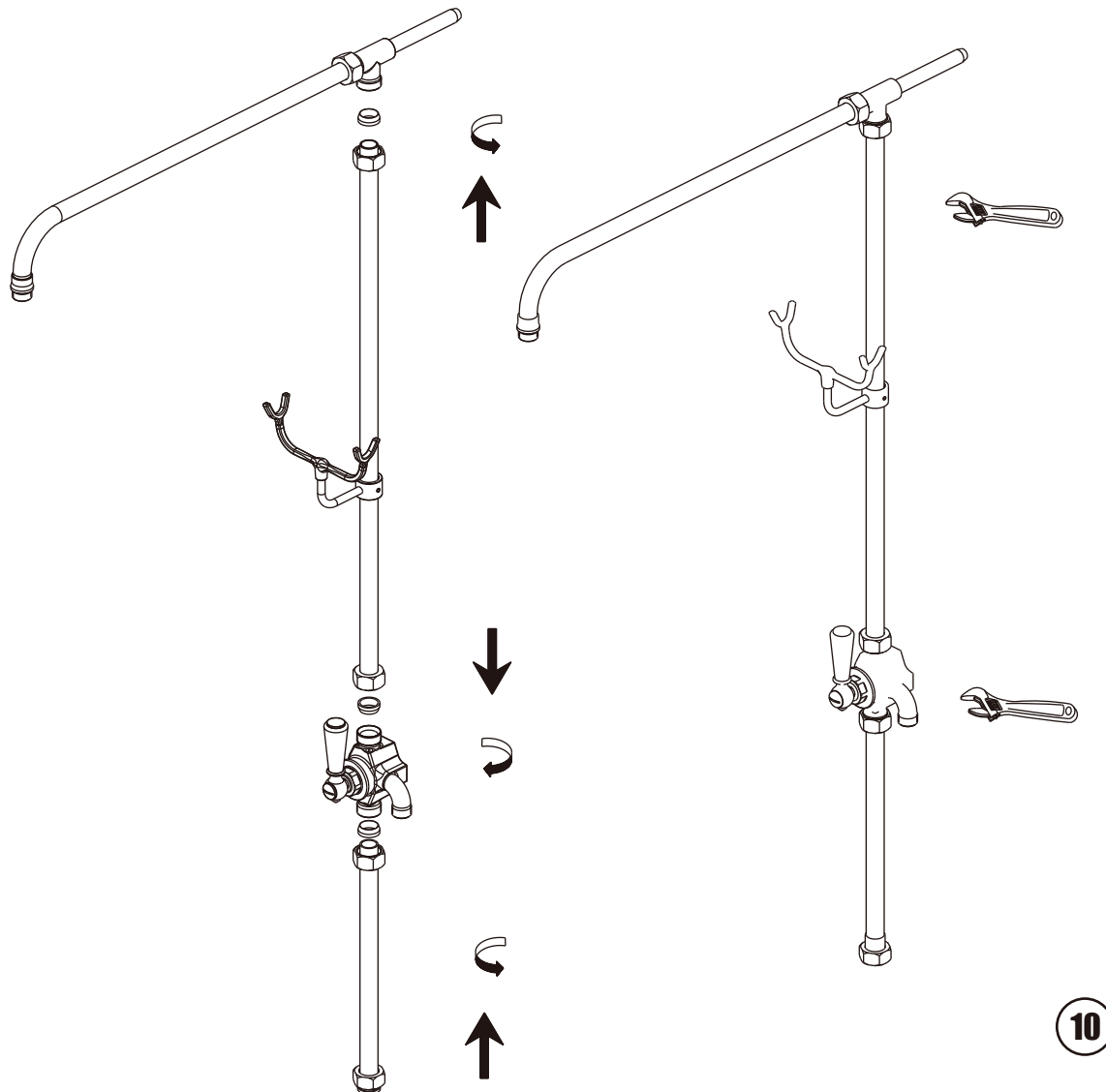


- 10** Assemble connecting tube with riser bracket. Put the compression olive into the riser bracket and then fix the shower arm with the riser bracket. Tighten the nut by wrench in order to fix the shower arm with the bracket.

Step 11

Installation Procedure

Lefroy Brooks always recommends that plumbing products be installed by a licensed professional. Shut off main water supply before installation.



- 11** Put the compression olive into the riser bracket and then fix the riser with the bracket. Put the compression olive into the diverter body and then fix the riser with the diverter body. Tighten the nut by wrench in order to fix the riser with the bracket and with the diverter body.

For additional assistance or service call

718-302-5292

9am to 5pm EST Monday to Friday



L E F R O Y B R O O K S

www.lefroybrooks.com

LEFROY BROOKS INC, 1828 TROUTMAN STREET, RIDGEWOOD, NY, 11385
TELEPHONE: 718-302-5292. FAX: 718-302-4177

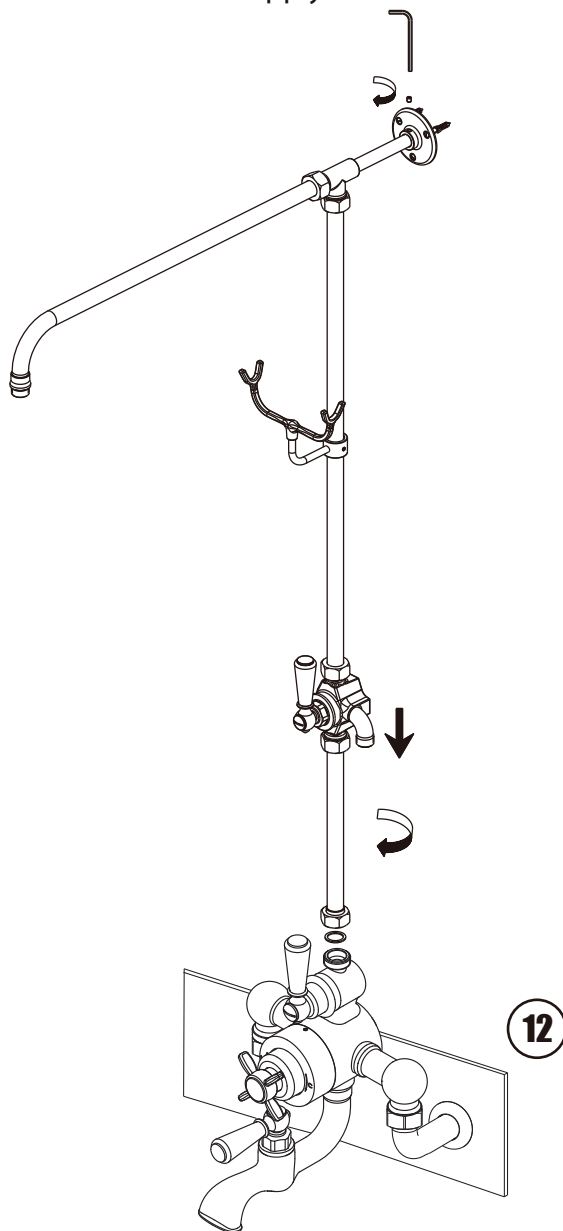
The use of trademarks, product design and artwork is subject to licence or agreement with Christo A. Lefroy Brooks. The design registrations, trademark registrations and copyrights are protected by law and the use or reproduction outside the terms of an agreement is prohibited. The right to modify designs and dimensions is reserved. Christo Lefroy Brooks is a member of ACID (Anti Copying in Design).

©CHRISTO A. LEFROY BROOKS 2014

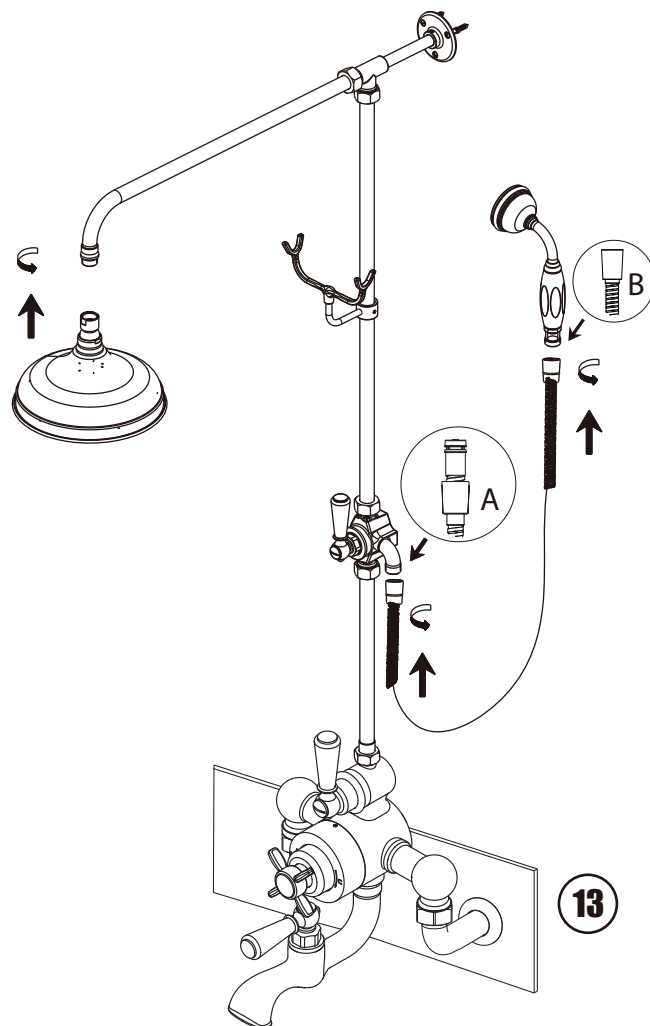
Steps 12-13

Installation Procedure

Lefroy Brooks always recommends that plumbing products be installed by a licensed professional. Shut off main water supply before installation.



- 12** Fix riser kit to the faucet, then fix the riser kit with the Wall bracket by fixing the set screw. Finally fix the wall bracket to wall where is appropriate by anchors and screws.



- 13** Connect the shower head with the shower arm. Connect the flexible hose, side B with the hand shower and side A (vacuum breaker) with the diverter body.