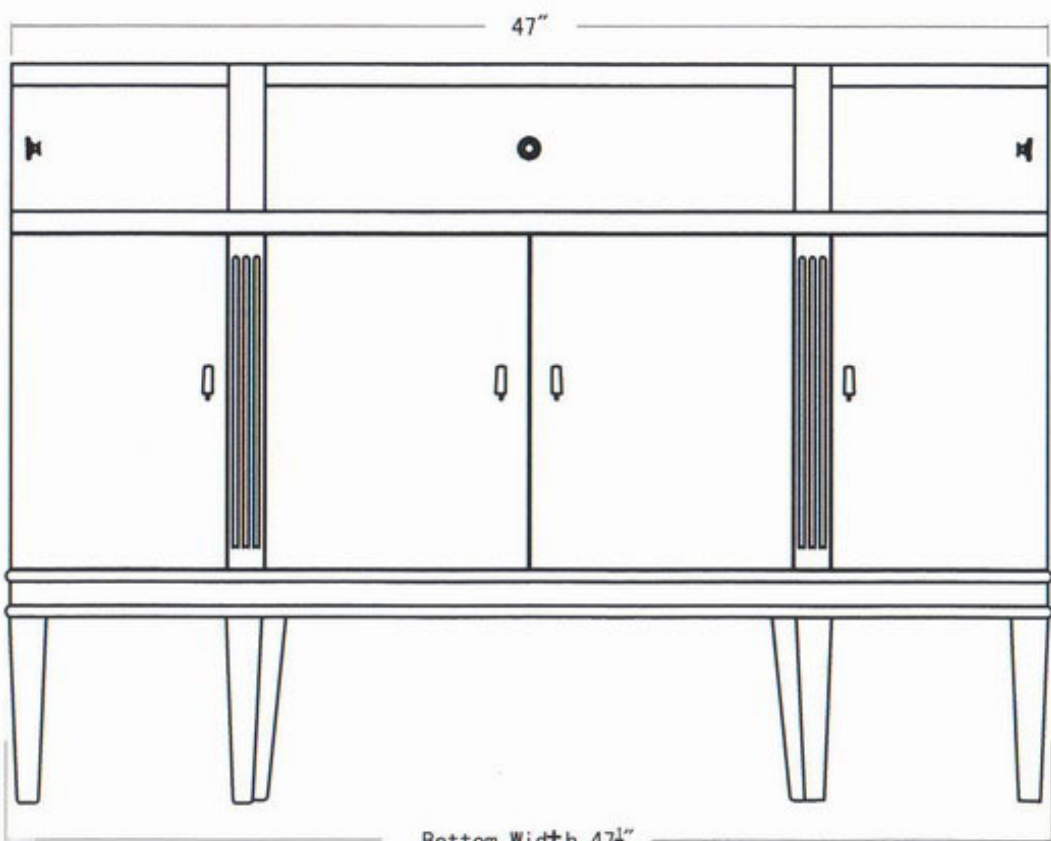


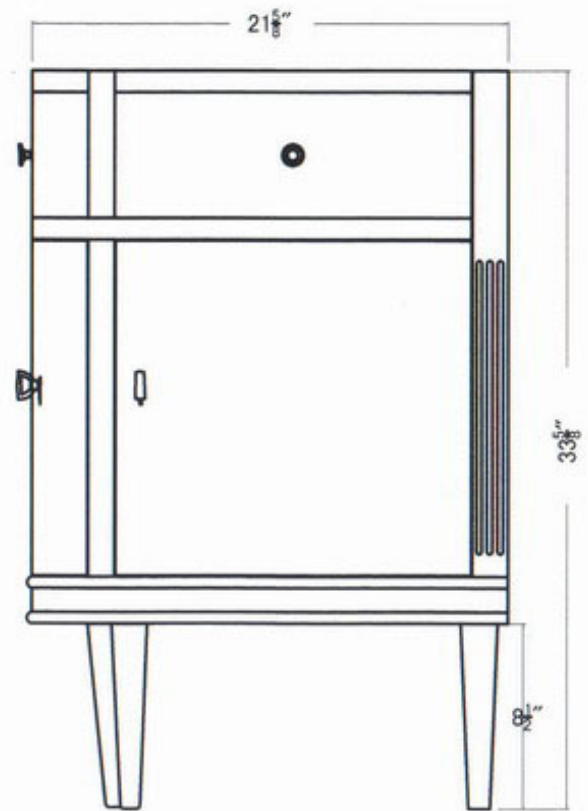
Top View

VER48

Top Drawer: 9 <sup>1</sup>/<sub>2</sub>" WX 15" DX 5 <sup>5</sup>/<sub>8</sub>" H / 2 pcs



Bottom Width 47 <sup>1</sup>/<sub>2</sub>"  
Front View



Side View