



# The Next Necessity™

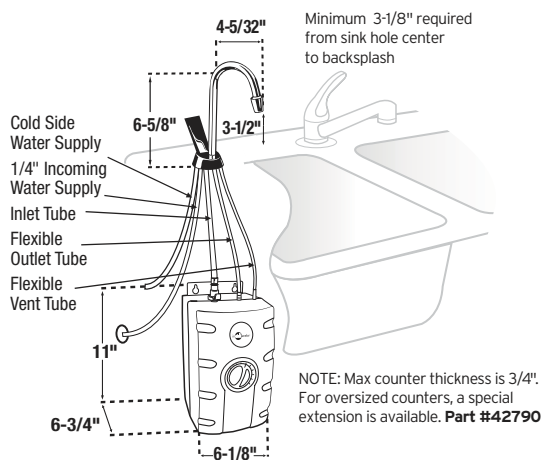
## Instant Hot Water Dispensers

### Model HC3-SS

Compact design dispenses instant near-boiling 200°F and cool water



### Dimensions



### Submittal Sheet

- **Hot & Cool** - Dispenses near-boiling 200°F and cool drinking water
- 35% more near-boiling water from larger 2/3-gallon stainless steel tank
- Easy to adjust temperature control
- Tool-free tank connections and dry start protection to ease installation
- Provides 60 cups/hr of near-boiling water
- 3-Year We Come To You™ In-Home Service Warranty\*
- 120 volts, 750 watts, 6.25 amps
- Available in all-white, all-biscuit and all-black, or chrome with black base and handles

### Sample Specification

Instant hot water dispenser(s) shall be InSinkErator Model HC3-SS with 2/3-gallon stainless steel tank, adjustable temperature from 160°F to 210°F and instant, self-closing hot valve.

**Warranty:**  
3-year parts and in-home service.

\* The complete InSinkErator warranty is included in the Care & Use booklet packed with each unit.

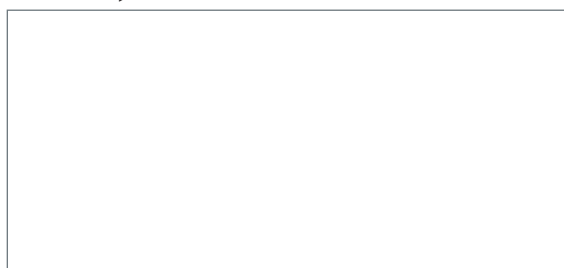
US Pat. D532,497 (tank enclosure)

### Specifications

Capacity	2/3-gallon stainless steel tank dispenses 60 cups of 200°F water per hour
Electrical	120 volts A.C., 750 watts, 6.25 amp heating element with grounded three (3) prong plug
Thermostat	Snap-action, adjustable from 160°F to 210°F (factory pre-set at 200°F)
Insulation	Meets U.L. 94HF-1 flammability specification
Hot Valve	Instant, self-closing
Cold Valve	Manual return
Recommended Supply Pressure	30-125 psi
Shipping Weight	Approximately 9.75 lbs.
Required Hole Diameter	1-1/4" - 1-1/2" standard sink hole

Water Filtration System Available

### Job Specifications



1-800-558-5700  
www.insinkerator.com



The Emerson logo is a trademark and service mark of Emerson Electric Co. InSinkErator is a division of Emerson Electric Co.