

ELKAY® SPECIFICATIONS

Lustertone® Single Bowl Waste-All® Sink Models LWR2522 and LWRQ2522 Series

GENERAL

Highest quality sink bowl seamlessly formed of #18 gauge, type 304 (18-8) nickel bearing stainless steel. Self-rimming.

DESIGN FEATURES

Bowl Depth: 6-1/8".

Waste-All Cone: 2".

Coved Corners: 1-3/4" vertical and horizontal radius.

Bowl and Faucet Deck Recess: 3/16" below outside edge of sink.

Finish: Exposed surfaces are hand blended to a lustrous highlighted satin finish.

Underside: Fully undercoated to dampen sound and prevent condensation.

OTHER

Drain Opening: 3-1/2".

Suffix "L" (left) or "R" (right) denotes waste disposer opening located in left or right rear corner of bowl.

NOTE: Unless otherwise specified, sink is furnished with 3 faucet holes as shown.

These sinks comply with ANSI Standard A112.19.3M.

OPTIONAL ACCESSORIES

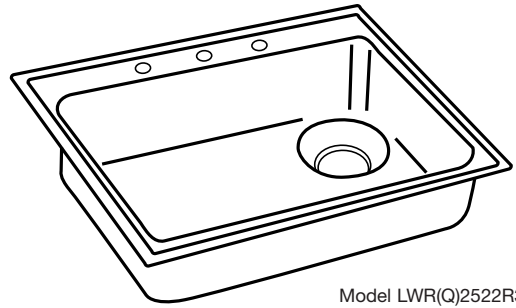
Rinsing Basket: LKRB1520 or LKERBSS.

Cutting Board: CB1713 or CBS1316.

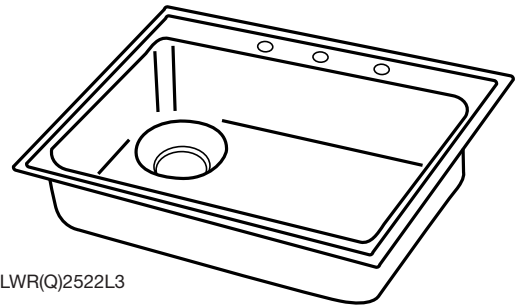
SINK DIMENSIONS (INCHES)*

U-Channel Model Number	Quick-Clip® Model Number	Overall		Inside Bowl			Cutout in Countertop (1 1/2" Radius Corners)		No. of 1 1/2" Dia. Faucet Holes 4" Centers	Minimum Cabinet Size	Ship. Wt. Lbs.
		L	W	L	W	D	L	W			
LWR2522R	LWRQ2522R	25	22	22	16	6 1/8	24 3/8	21 3/8	1, 2, MR2, 3, 4 or 5	30	16
LWR2522L	LWRQ2522L	25	22	22	16	6 1/8	24 3/8	21 3/8	1, 2, MR2, 3, 4 or 5	30	16

* Length is left to right. Width is front to back.

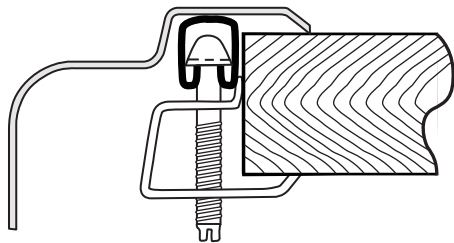


Model LWR(Q)2522R3

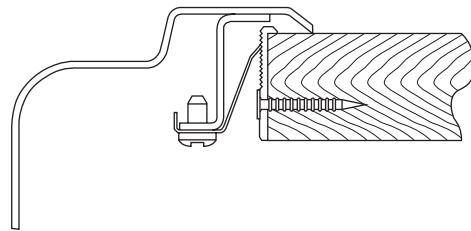


Model LWR(Q)2522L3

U-Channel Type Mounting System



Quick-Clip® Mounting System



SEE OTHER SIDE FOR PRODUCT DIMENSIONS.

ALL DIMENSIONS IN INCHES, TO CONVERT TO MILLIMETERS MULTIPLY BY 25.4.

In keeping with our policy of continuing product improvement, Elkay reserves the right to change product specifications without notice.

This specification describes an Elkay product with design, quality and functional benefits to the user. When making a comparison of other producers' offerings, be certain these features are not overlooked.

Elkay

www.elkayusa.com

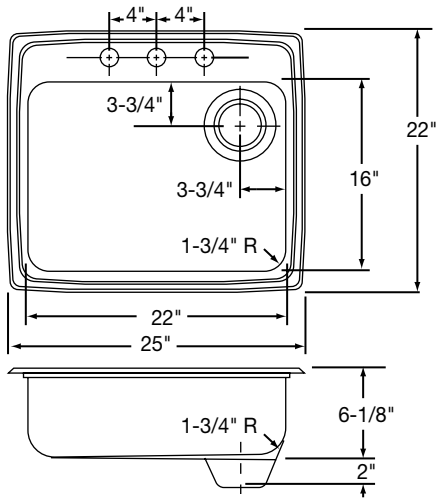
2222 Camden Court
Oak Brook, IL 60523

Printed in U.S.A.
©2004 Elkay

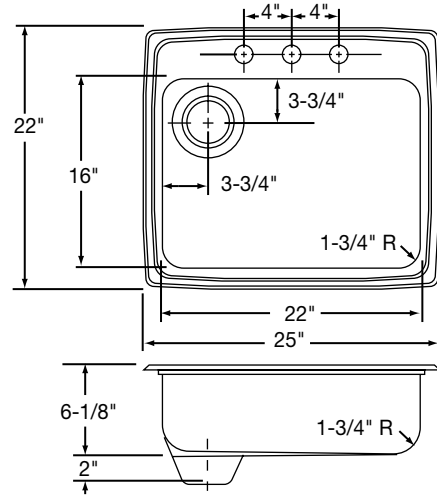
(Rev. 3/04) 1-65F

**Lustertone® Single Bowl Waste-All® Sink
Models LWR2522 and LWRQ2522 Series**

**ELKAY®
SPECIFICATIONS**

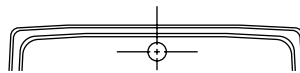


Model LWR2522R3 Illustrated

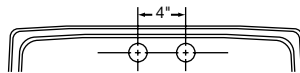


Model LWR2522L3 Illustrated

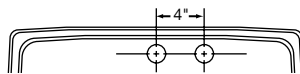
HOLE DRILLING CONFIGURATIONS



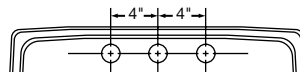
1



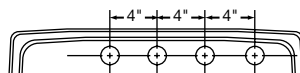
2



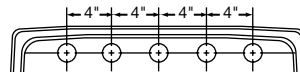
MR2



3



4



5