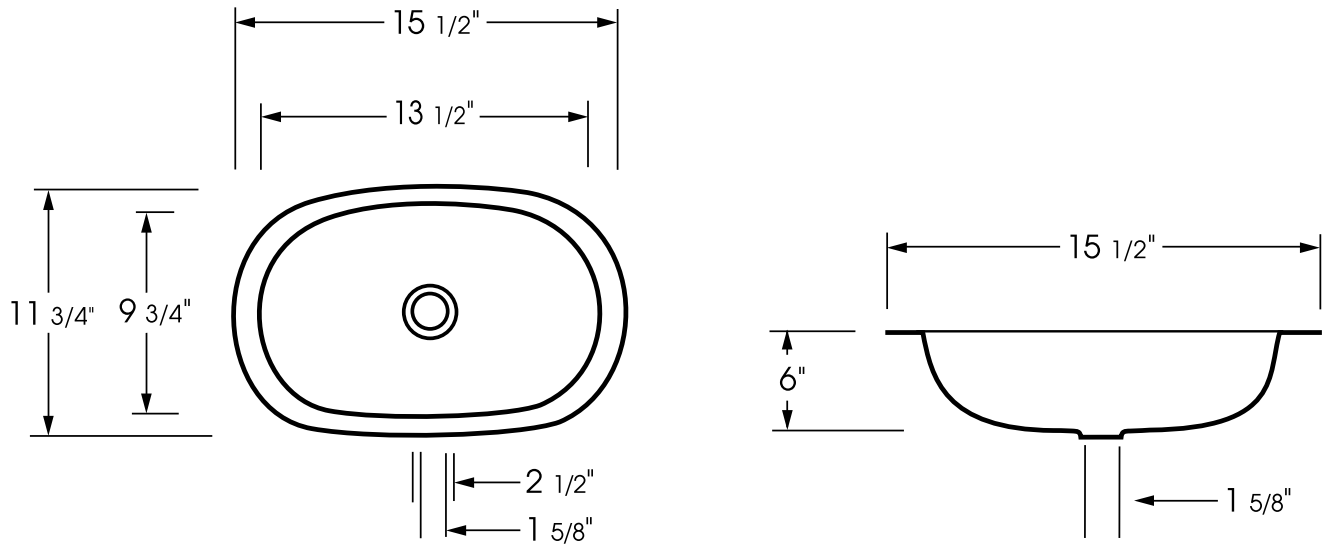


**ROVAL
IN STAINLESS STEEL**



**ROVAL
IN STAINLESS STEEL
16 Gauge**

DIMENSIONS

Outside: 11 3/4" by 15 1/2"

Inside: 9 3/4" by 13 1/2"

Inside Depth: 6"

IMPORTANT:

We recommend you wait for basin before making your counter top cut-out. All dimensions are approximate.

OPTIONS

	Yes	No
Self-rimming	x	
Under Counter	x	



AND BATES

www.batesandbates.com