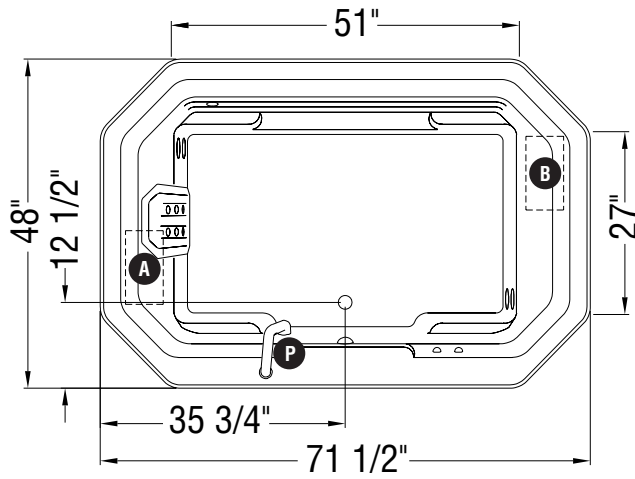
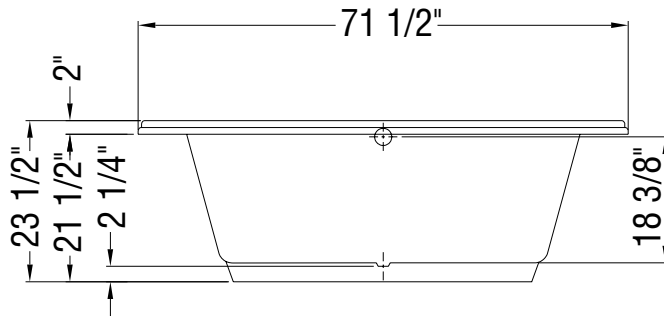
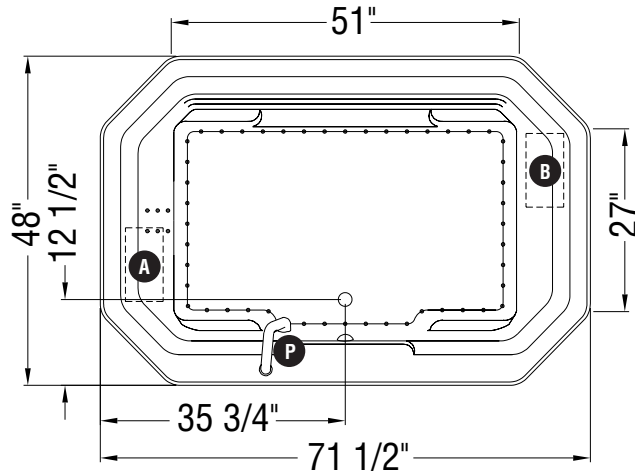


TRUE WHIRLPOOL
SYSTEM



AEROFEEL
AIR SYSTEM



A : Indicates pump or blower positioning

B : Indicates pump or blower positioning

P : Indicates optional hand rail positioning

() : Indicates True Whirlpool jets positioning

() : Indicates Aerofeel airjets positioning

* Pump location could exceed by one in. on combo.