

STANZA PETITE CABINET, KIT# 8983X

- Inspired from Mid 19th century furniture
- Hand finished in Antique Cherry from select Maple solids and Cherry veneers
- Front installed levelers in legs
- Drawer pulls in Brushed Nickel only
- For use with Stanza lavatory top only
- Spacious deck area
- Faucet holes on single or 8" centers
- Hand-finished in Antique Cherry (640)
- Made in Canada

Kit Components:

- 89070 Stanza Petite Cabinet
 - 20351 Stanza Top Only – Single hole
- or**
- 20358 Stanza Top Only – 8" Centers

Nominal Dimensions:

34-1/2" x 20-1/2" x 35" (875 x 525 x 889mm)

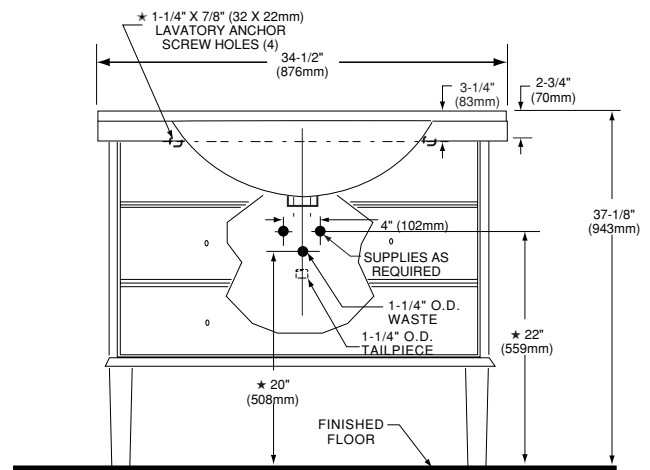
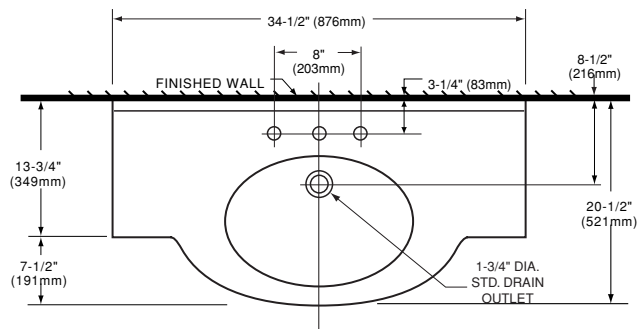
Bowl Sizes:

20-1/2" (520mm) wide
13" (330mm) front-to-back
7-1/2" (190mm) deep

Fixture Dimensions conform to ANSI Standard
A112.19.3M & A112.19.2M



Shown with Archive® faucet (5414.801)



DEPTH WITH DRAWER OPEN 24"

To Be Specified

- Color:
- Faucet:
- Faucet Finish:
- Supplies:
- 1-1/4" Trap:
- Nipple:

NOTES:

- ★ DIMENSIONS SHOWN FOR LOCATION OF SUPPLIES AND "P" TRAP ARE SUGGESTED.
- FOR REINFORCEMENT ONLY. TAKE ACTUAL DIMENSIONS FROM FIXTURE. MOUNTING FEATURES TO BE FURNISHED BY OTHERS. PROVIDE SUITABLE REINFORCEMENT FOR ALL WALL SUPPORTS. FITTINGS NOT INCLUDED AND MUST BE ORDERED SEPARATELY. INSTALLATION INSTRUCTIONS SUPPLIED WITH LAVATORY.

IMPORTANT: Dimensions of fixtures are nominal and may vary within the range of tolerances established by ANSI Standard A112.19.3M. These measurements are subject to change or cancellation.

No responsibility is assumed for use of superseded or voided pages.