

STANZA CABINET, KIT# 8982X

- Inspired from Mid-19th century furniture
- Made from select Maple solids and Cherry veneers
- Two drawers supported by tandem slides
- Hand finished in Antique Cherry (640)
- For use with Riviera lavatory top only
- Spacious deck area
- Faucet holes on single or 8" centers
- Drawer pulls in brushed nickel only
- Made in Canada

Kit Components:

- 89050 Stanza cabinet
- 20301 Riviera™ top only – single hole
or
- 20308 Riviera top only – 8" Centers

Nominal Dimensions:

41-1/2" x 21-1/4" (1054 x 540mm)
35" (889mm) height

Bowl Sizes:

19-1/4" (490mm) wide
12-3/4" (325mm) front-to-back
7-3/4" (197mm) deep

Fixture Dimensions conform to ANSI Standard
A112.19.3M & A112.19.2M

To Be Specified

- Color:
- Faucet:
- Faucet Finish:
- Supplies:
- 1-1/4" Trap:
- Nipple:

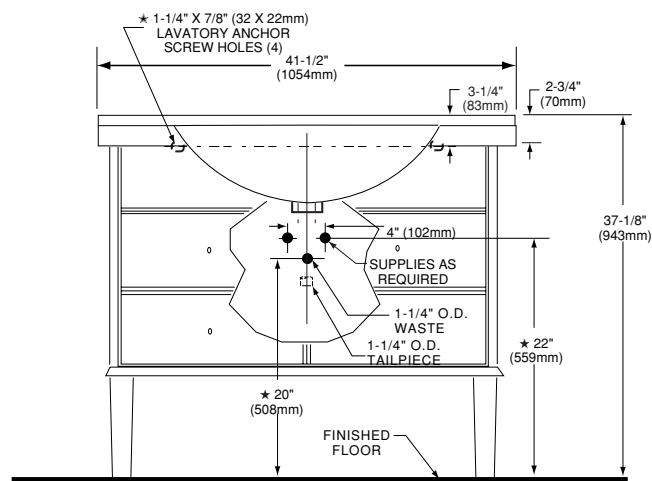
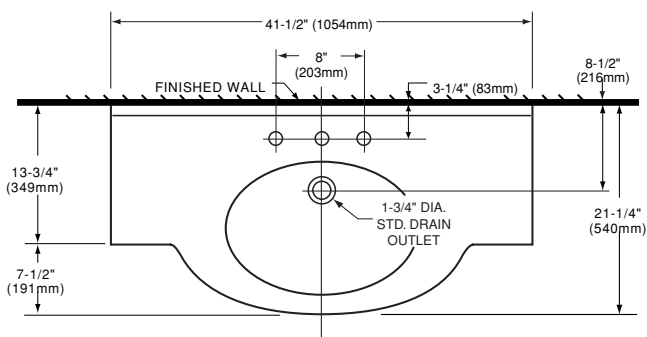
NOTES:

- ★ DIMENSIONS SHOWN FOR LOCATION OF SUPPLIES AND "P" TRAP ARE SUGGESTED.
- FOR REINFORCEMENT ONLY. TAKE ACTUAL DIMENSIONS FROM FIXTURE. MOUNTING FEATURES TO BE FURNISHED BY OTHERS. PROVIDE SUITABLE REINFORCEMENT FOR ALL WALL SUPPORTS. FITTINGS NOT INCLUDED AND MUST BE ORDERED SEPARATELY. INSTALLATION INSTRUCTIONS SUPPLIED WITH LAVATORY.

IMPORTANT: Dimensions of fixtures are nominal and may vary within the range of tolerances established by ANSI Standard A112.19.3M. These measurements are subject to change or cancellation. No responsibility is assumed for use of superseded or voided pages.



Shown with Archive® faucet (5414.801)



DEPTH WITH DRAWER OPEN 24"