

## ARCHIVE 28" VANITY, MODEL 89280 or KIT# 89920

- Simple, elegant reed door design
- Lower wood shelf
- Left & right side pull out drawers with easy glide action
- Solid wood construction in dark Mahogany finish (650)
- Ships with un-cut wood top
- Optional marble top pre-cut only for Archive Undercounter Model #11070 and 8" CTC faucet drilling

**89280** 28" Vanity double drawer unit only with wood top

### 89920 Marble Kit Components:

**89280** 28" Vanity double door unit with wood top

**89808** Carrera marble top only with hole on 8" (203mm) centers (Precut for Archive Undercounter Model #11070)

**11070** Archive Undercounter Lav

**Nominal Overall Dimensions:**  
28" x 22" x 35" (965 x 559 x 902mm)

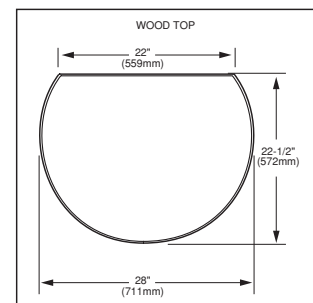
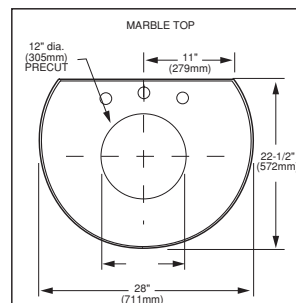
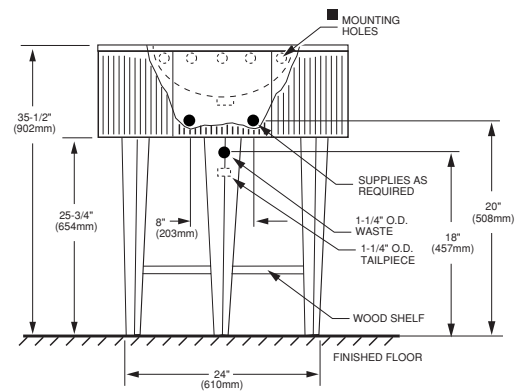
**Fixture Dimensions** conform to ANSI Standard A112.19.2M & A112.19.3M

### To Be Specified

- Color:
- Faucet:
- Faucet Finish:
- Supplies:
- 1-1/4" Trap:
- Nipple:



Shown with Archive® faucet (5414.801)



### NOTES:

- ★ DIMENSIONS SHOWN FOR LOCATION OF SUPPLIES AND "P" TRAP ARE SUGGESTED.
- FOR REINFORCEMENT ONLY. TAKE ACTUAL DIMENSIONS FROM FIXTURE.
- MOUNTING FEATURES TO BE FURNISHED BY OTHERS.
- PROVIDE SUITABLE REINFORCEMENT FOR ALL WALL SUPPORTS.
- FITTINGS NOT INCLUDED AND MUST BE ORDERED SEPARATELY.
- INSTALLATION INSTRUCTIONS SUPPLIED WITH LAVATORY.

IMPORTANT: Dimensions of fixtures are nominal and may vary within the range of tolerances established by ANSI Standard A112.19.3M. These measurements are subject to change or cancellation. No responsibility is assumed for use of superseded or voided pages.