

*Gallatin* SERIES 114 SPECIFICATIONS

114243 VANITY  
114243-17-KI KITCHEN ISLAND\*

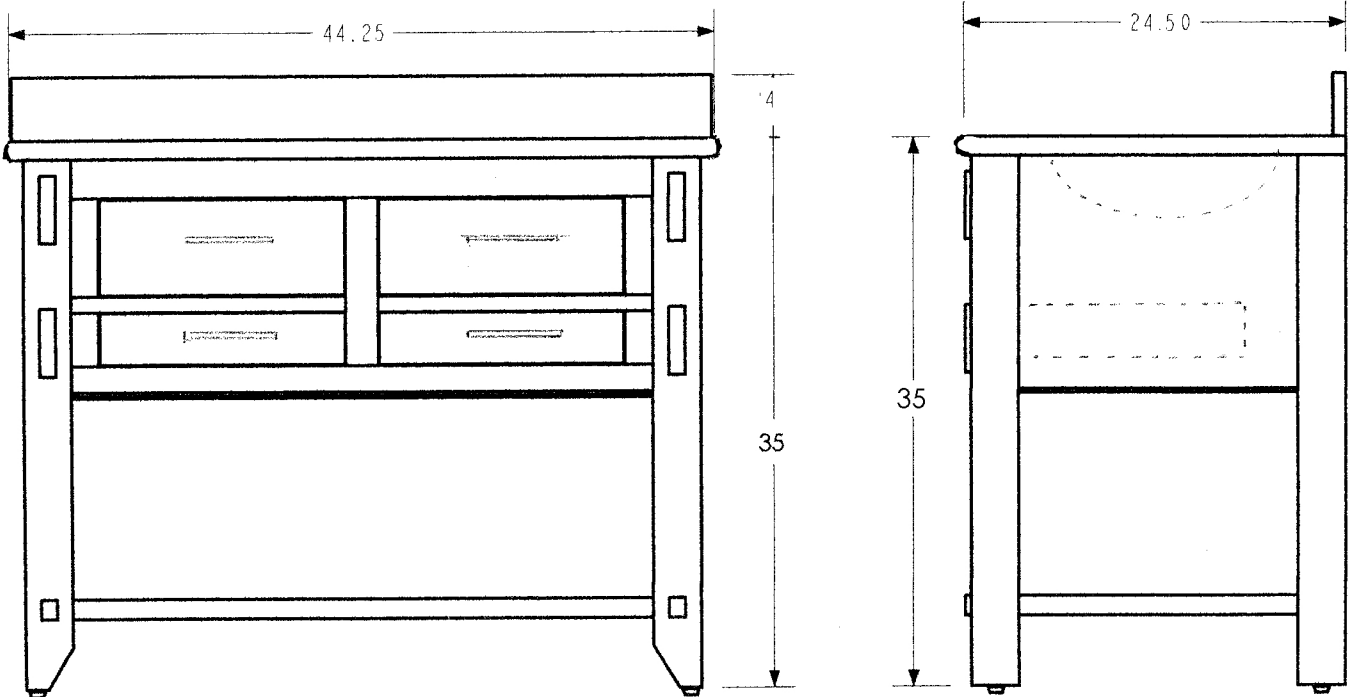
**PLEASE SPECIFY FINISH SELECTION**

1.25" (3 CM) SOLID STONE TOP  
FULL BULLNOSE EDGE TREATMENT STANDARD  
4" HIGH BACKSPLASH  
VITREOUS CHINA UNDERMOUNT BASIN  
HANDCRAFTED FURNITURE  
HARDWARE INCLUDED  
2 FUNCTIONAL DRAWERS  
LEFT OR RIGHT BASIN MOUNTING, PLEASE SPECIFY  
HEAVILY HAND DISTRESSED FINISH  
ADJUSTABLE LEVELERS

\* KITCHEN ISLAND HAS SOLID TOP NO DRILLS  
OR BACKSPLASH  
FULL BULLNOSE 4 SIDES  
4 FUNCTIONAL DRAWERS

DESIGN COPYRIGHT PROTECTED 2006 FORMS+ *fixtures*™  
WILLIAM E. POOLE COLLECTION

PROFESSIONAL INSTALLATION RECOMMENDED



FORMS+ *fixtures*™

T> 336.389.0101

F> 336.389.0102

[www.formsandfixtures.com](http://www.formsandfixtures.com)

[sales@formsandfixtures.com](mailto:sales@formsandfixtures.com)