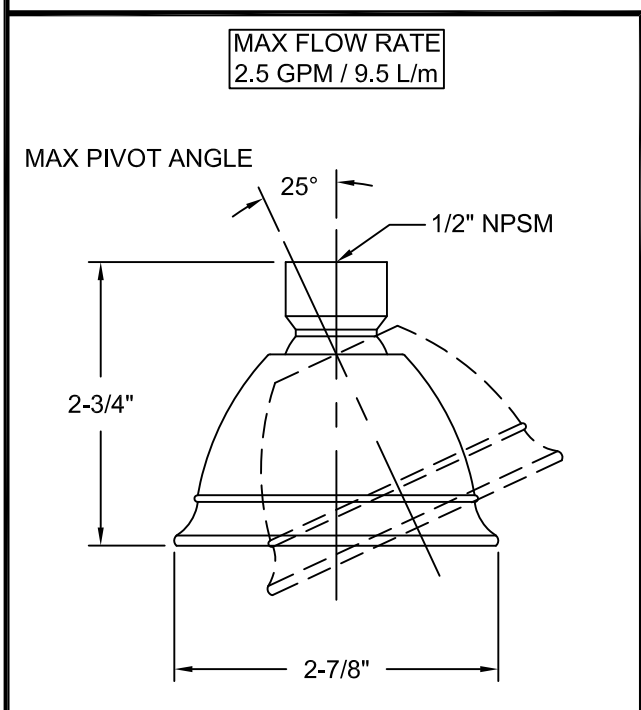


NOTES:  
 1. ZZ DENOTES FINISH



  
**California Faucets**<sup>®</sup>  
 info@calfaucets.com  
 www.calfaucets.com

<b>FIXTURE:</b>	<b>3" SELF CLEANING SHOWERHEAD</b>
<b>SUBASSEMBLY NUMBER:</b>	<b>NOT A SUBASSEMBLY</b>
<b>REFERENCE NUMBER:</b>	<b>SH-09-ZZ</b>

<b>STARTING DATE:</b> May 18, 2005
<b>REVISION DATE:</b> May 14, 2008
<b>APPROVED BY:</b> J. WOJTASZEK
<b>SCALE:</b> NONE
<b>DRAWN BY:</b> C. WULF