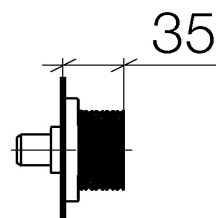
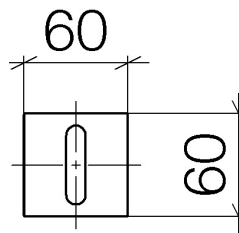




Product specifications

Exposed trim parts only, rough to be ordered separately

- Flange 2 3/8 x 2 3/8"
- [ADA]



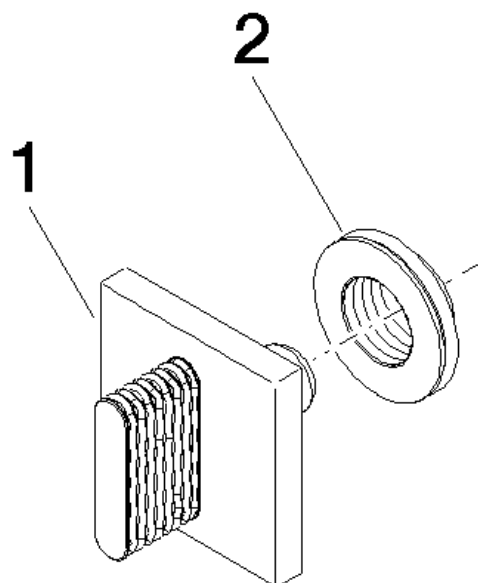
Surfaces

- chrome 36312705-00
- matt platinum 36312705-06

Accessories required

- Rough for wall-mounted volume control – 1/2" clockwise closing; 35621970
- Rough for wall-mounted volume control – 1/2" counter-clockwise closing; 35671970
- Rough for wall-mounted volume control – 3/4" clockwise closing; 35622970
- Rough for wall-mounted volume control – 3/4" counter-clockwise closing; 35672970

Exploded assembly drawing



Bath & Spa

36312705 Wall valve

Article number: 36312705



Order quantity

No.	Article number	Name	Installation quantity
1	90207005301ff	handle	1
2	09210210890	disc	1