



Floor-mount Type T/P (thermo/pressure balance)
coaxial open spout tub filler w/ hand shower
ZOOP37XX



Specifications

Descriptions

- ½" inlet male NPT
- Double check valve
- 2 parts: rough and trim
- Thermostatic/pressure balance coaxial cartridge with check valves
- 1-jet hand shower/scale-free

Available colors

- C : Chrome
- BN : Brushed nickel (PVD)

Available flows

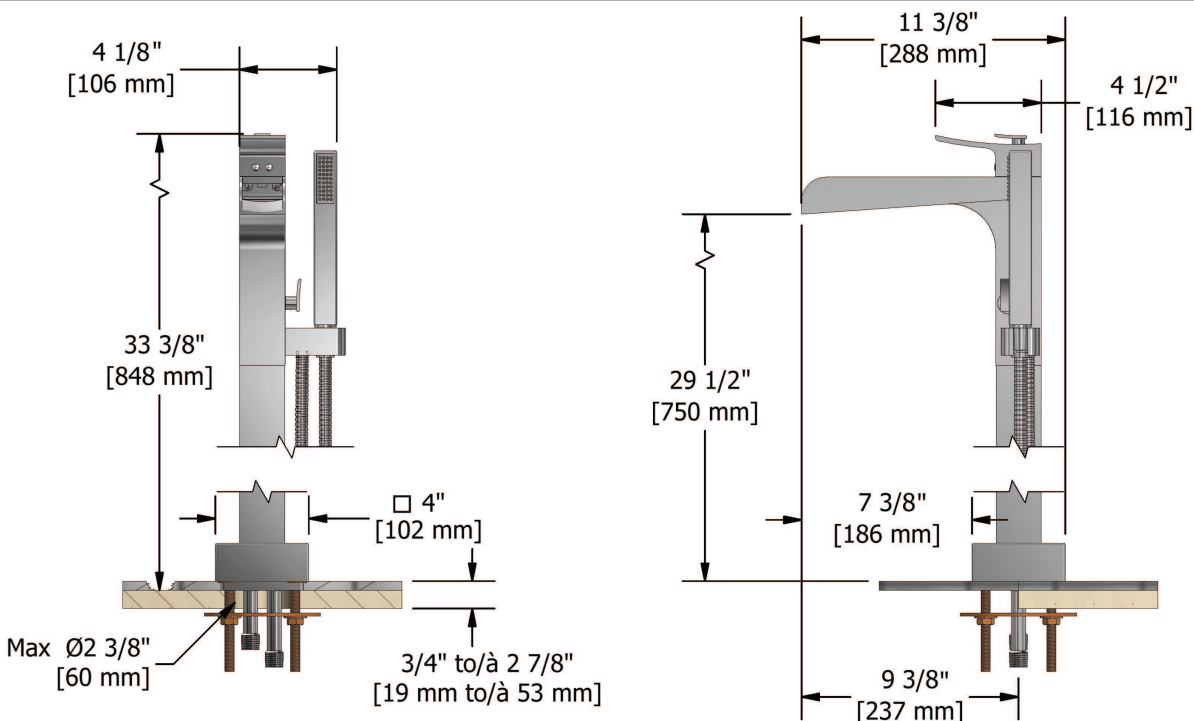
- 39 L/min, 10.3 gpm (US) 60psi

Cartridges

- 401-143
- 401-037 (shower hand)

Certifications

- CSA B125.1
- ASME A112.18.1
- ASSE 1016
- CMR248 Approval



Sizes, models and finishes may differ from those presented.

Warranty

The Riobel inc. product carries a limited LIFETIME warranty on the finish Chrome, Gold (PVD), Brushed nickel (PVD), Night brushed (PVD), Polished nickel (PVD) and all working parts and is guaranteed from the initial date of purchase against all manufacturing defects. Other finished 1 year.

Customer Service

Ontario, West Canada : 888-287-5354 Quebec, Maritimes, United States : 866-473-8442