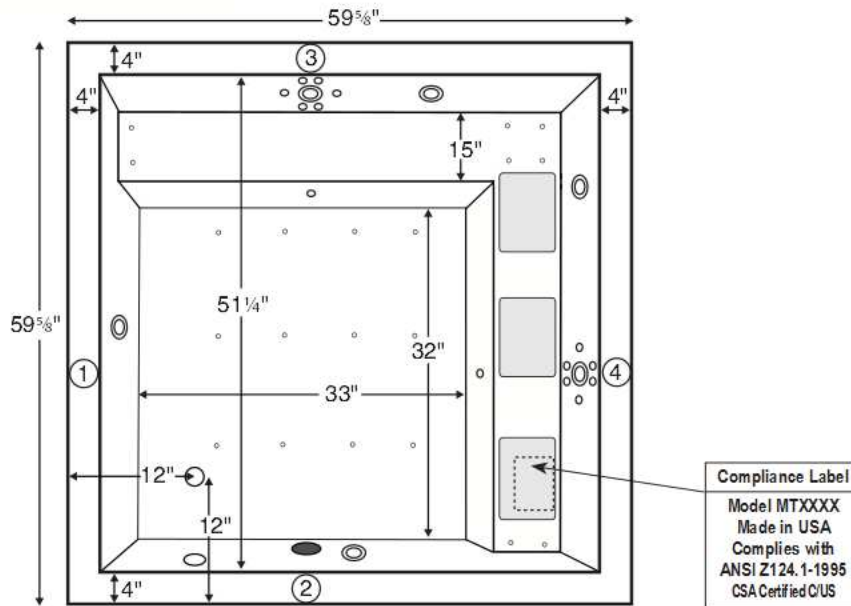


# Kalia 1

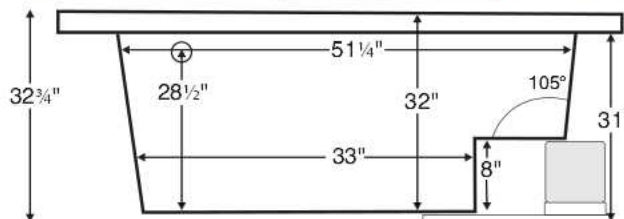
59.625" x 59.625" x 32.75"

**Installation:**  
Drop-in or Undermount  
*Must specify on order.*



Numbered locations on tub deck are possible Fill-Flush, Hand-Held Shower or Breda locations.

Shown with Air Massage and Ultra Whirlpool Package.



**IMPORTANT:**  
Air baths and tubs with a pre-levleled foam base or frame system add 2-3" to overall tub height.

## GENERAL SPECIFICATIONS:

<b>Material</b>	Acrylic
<b>Plumbed Weight</b>	190 lbs / 86.18 kg
<b>Soaker Weight</b>	165 lbs / 74.84 kg
<b>Average Fill</b>	139 gal to above jet level
<b>Maximum Fill</b>	243 gal to overflow

NOTE: Filling this tub to the maximum may require an above average size or dedicated water heater.

## ELECTRICAL SPECIFICATIONS:

<b>Required Electrical Service</b>	110 Volt
<b>Air Bath or Standard Whirlpool</b>	1-15 amp GFCI
<b>Standard Whirlpool with Air</b>	2-15 amp GFCI
<b>Ultra Whirlpool</b>	2-20 amp GFCI
<b>Ultra Whirlpool with Air</b>	2-20 amp GFCI

CSA Certified C/US; ANSI Z124.1 for plastic tubs and ANSI 112.19.7 for whirlpool components.  
NOTE: See electrical specifications on page C-30 for electrical requirements of tub options.

## IMPORTANT ORDERING & INSTALLATION INFORMATION:

- Before ordering or installing, please consider future access to equipment.
- If tub is equipped with an inline heater, the heater is designed to maintain water temperature, not to heat cold water.
- Add bedding compound to fully level and support bottom of tub.
- Tubs equipped with an air bath or a pre-levleled foam base are designed to rest on the floor *without* bedding compound, provided the floor is level.
- **Overall tub height is increased by approx. 2-3" when tub is equipped with any air bath package or when pre-levleled foam base or frame system is ordered.**
- Please measure tub **on-site** before building tub decking.
- Suction and control locations may vary.
- Specifications and configurations are subject to change without notice.
- Measurements are  $\pm 1/2"$  and are subject to change without notice.
- Measurements herein supersede all others published prior to publication date shown below.

See the "Designer Collection Tubs Installation & Operation Manual" included with tub delivery or go to [mtibaths.com/support/installation\\_operation/manuals](http://mtibaths.com/support/installation_operation/manuals) for all the information necessary to install and operate the tub.

MTI's Customer Service Department is available Monday-Friday 8am-6pm EST at 800-783-8827 or [customerservice@mtibaths.com](mailto:customerservice@mtibaths.com) to answer any questions pertaining to ordering or installation.

