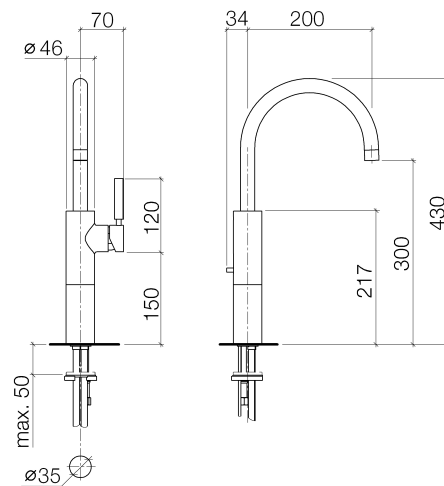




Product specifications

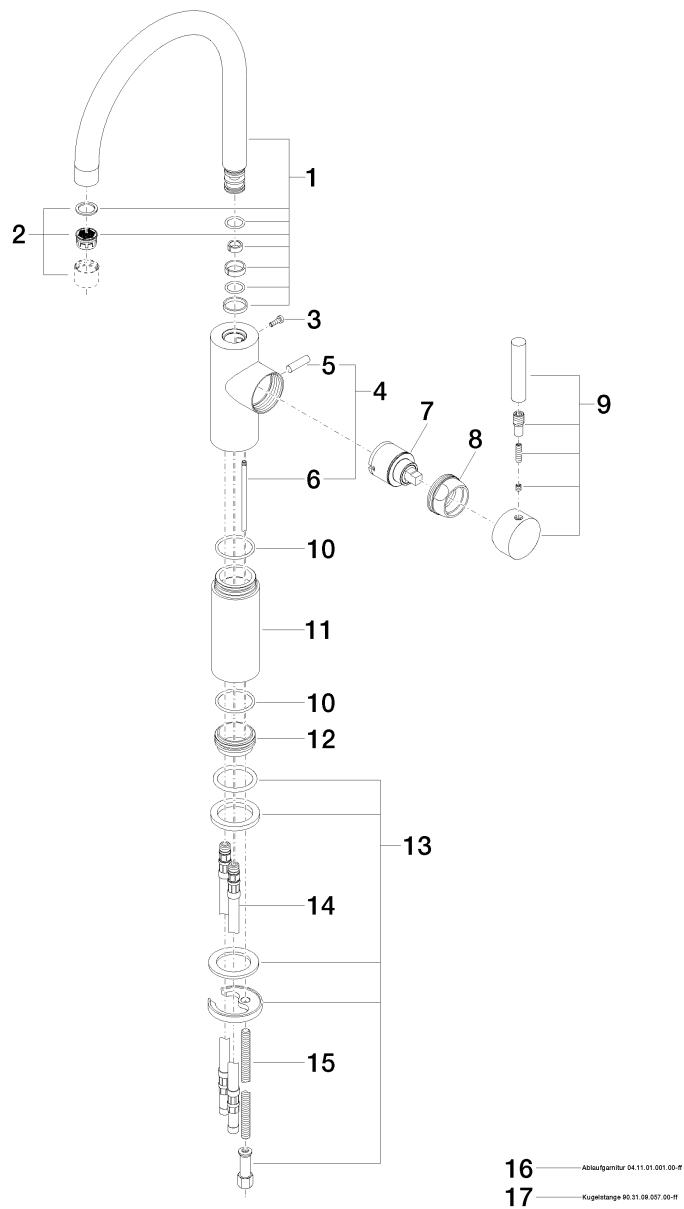
- **7 7/8" projection**
 - Swivel spout 360°
 - M 22 x 1 aerator – female thread
 - Total height 16 7/8"
 - Height to aerator/spout outlet 11 3/4"
 - Ceramic disc cartridge
 - 2x M 10 x 1 screw-in high pressure hose
 - **US drain with overflow**
 - Water flow rate limited to max. 1.5 gpm
 - low lead compliant
- [ADA]



Surfaces

- | | |
|-----------------|-----------------|
| • chrome | 33533885-000010 |
| • chrome | 33533885-000010 |
| • matt platinum | 33533885-060010 |
| • matt platinum | 33533885-060010 |

Exploded assembly drawing



Order quantity

No.	Article number	Name	Installation quantity
1	90282216303ff	spout	1
2	90230100402ff	aerator	1
3	09303008090	screw	1
4	04206203085ff	pull-rod	1
5	092062030ff	handle	1
6	093109085ff	pull-rod	1
7	09150503490	cartridge	1
8	092404107ff	nut	1
9	90208804600ff	handle	1
10	09141011990	seal	1
11	092822027ff	pipe	1
12	092810109-07	ring	1
13	0430110858890	fixing set	1
14	0430040170090	hose	2
15	09311109090	pin	1
16	04240422200ff	adaptor	2
17	04233003101-07	threaded connector	2
18	09240422210ff	adaptor	2
19	04110102300ff	pop-up waste	1
20	90310905700ff	bar	1

