

**39" DIXON DOUBLE
BOWL FARMER SINK**

Cat. No
FSSDB2610-SS



W: 39"
D: 20-3/4"
H: 10-1/4"

Features:

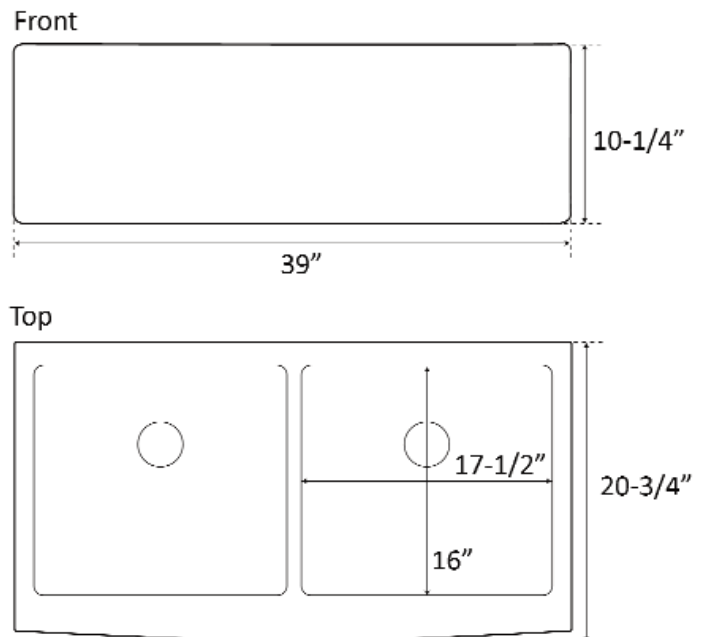
- ▶ Double bowl
- ▶ Solid 16 gauge, 304 grade metal construction
- ▶ Tight radius corners
- ▶ Coated for sound insulation
- ▶ Includes mounting clips
- ▶ Matte finish
- ▶ Rim is 1-1/2" on sides and back, 3-1/4" in front
- ▶ Accomodates 3-1/2" drain
- ▶ Drain sold separately

Compliance Certification
Meets or exceeds the following
specifications: ASME
A112.19.3-2001 for Stainless Steel.

***Please do NOT cut hole without
template or actual product.**

Interior Dimensions:

Basin Interior: 17-1/2" W x 16" D
Basin Depth: 10"



Dimensions of fixture are nominal and may vary within the range of tolerances established by ANSI Standard A112.19.2. Dimensions and specifications subject to change without notice.