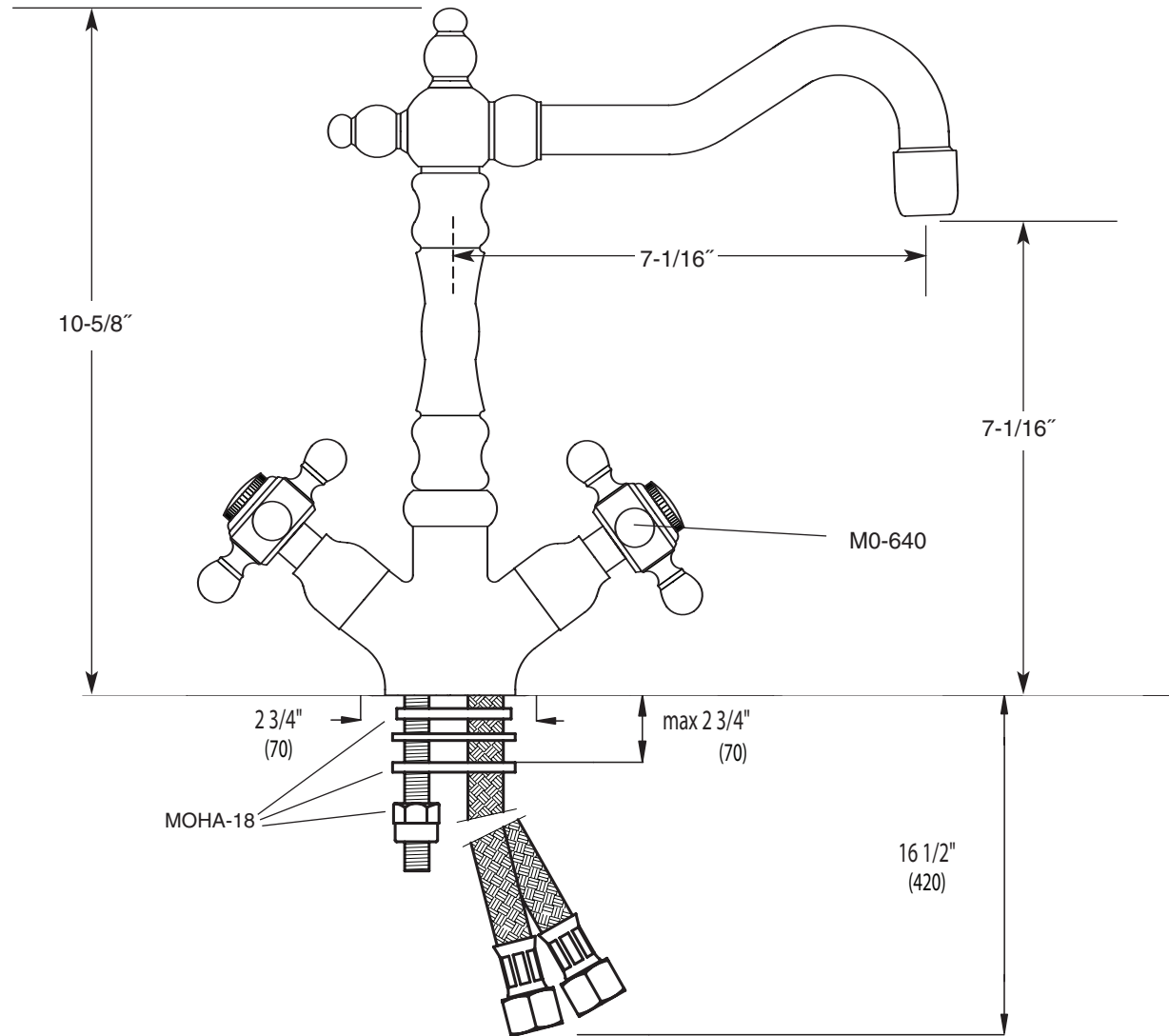


7759 SERIES



MICO DESIGNS LTD.

1432 W. 21st Street • Chicago, IL 60608
Tel. 312-243-0770 • Fax 312-243-1661
www.micodesigns.com

7759 SERIES

Thank you for purchasing a product from

MICO DESIGNS LTD.

We have taken care to produce a product that will provide many years of trouble-free use and beauty.

Call Toll Free: **1-888-301-8787** if you have any questions about the installation of your product.

We can help!

ALL PARTS MUST BE INSTALLED!

1. Familiarize yourself with all of the parts before installation.
2. Turn off the water supply. Make sure both the hot and cold water is completely shut off.
3. Position the spout through hole with the white gasket between the spout and countertop. From the underside attach the gasket and mounting plate. Tighten with the hex nut.
4. Connect the hot and cold water supplies. Red to hot, blue to cold.
5. Open water supplies and check for leaks.
6. Remove the aerator and run both the hot and cold water to flush out particles. Replace aerator.

Maintenance and Care: Clean with water and a soft cloth. Never use cleansers. Never use any abrasives.

THIS FAUCET IS NOT TO BE CONNECTED TO PORTABLE APPLIANCE