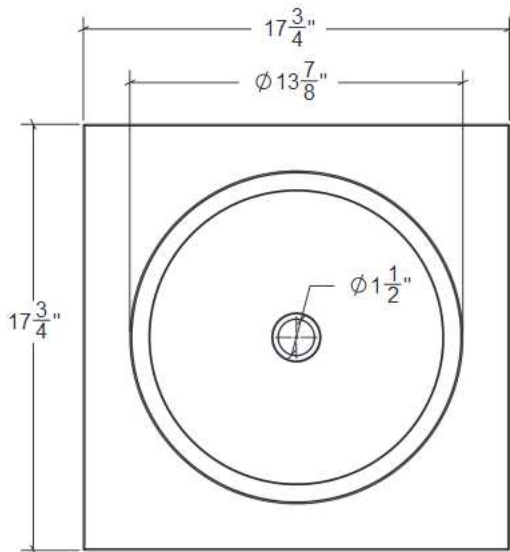


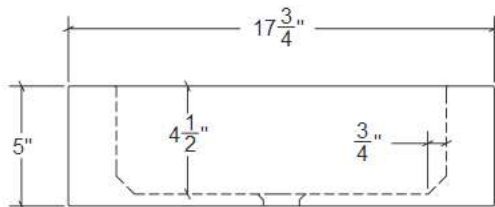
GS-107

FEATURES:

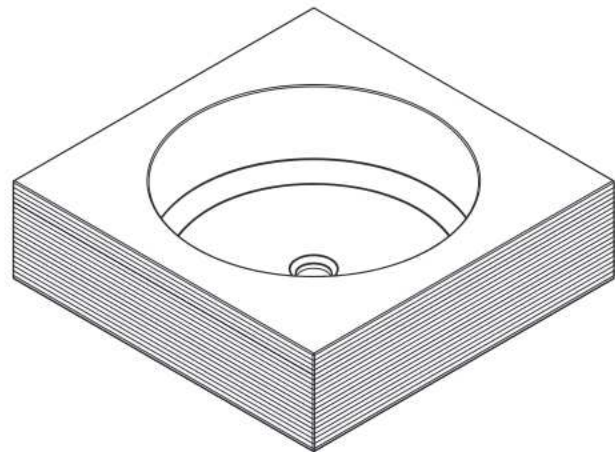
- * Sink Size: 17 5/8" x 17 5/8" x 5"
- * Material: Crystal Layered Glass
- * Counter Top Sink
- * Recommended Drain: DS-003
- * For Use With Standard Pop Up Drain
- * Warranty: One Year Limited Warranty



TOP VIEW



FRONT VIEW



3D VIEW

JOB INFORMATION:

Job Name _____
 Date Specified _____
 Contractor _____

* Specifications and drawings provided on this sheet are for illustration only. Cantrio Concepts will not be held responsible for cutouts made without the actual product or product template.