



Hand shower rail
4819XX



Specifications

Descriptions

- 150 cm (59") double interlock flexible hose, swivel and integrated vaccum breaker
- Scale-free
- 4319, 1-jet hand shower
- Rectangular slide bar

Available colors

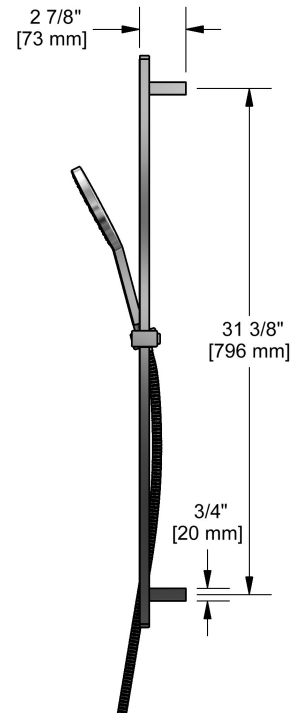
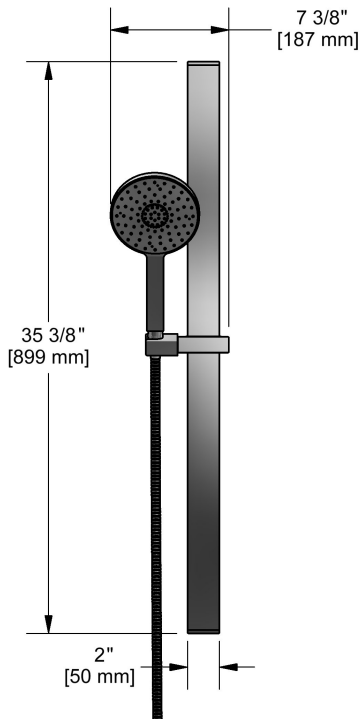
- C : Chrome

Available flows

- 9.5 L/min, 2.5 gpm (US) 60psi

Certifications

- CSA B125.1
- ASME A112.18.1
- CMR248 Approval



Sizes, models and finishes may differ from thoses presented.

Warranty

The Riobel inc. product carries a limited LIFETIME warranty on the finish Chrome, Gold (PVD), Brushed nickel (PVD), Night brushed (PVD), Polished nickel (PVD) and all working parts and is guaranteed from the initial date of purchase against all manufacturing defects. Other finished 1 year.

Customer Service

Ontario, West Canada : 888-287-5354 Quebec, Maritimes, United States : 866-473-8442