

# TEE200 SPECIFICATIONS

## electronica in-wall dual wheel interface for shower & bathtub installation

### FEATURES:

- In-wall dual wheel interface for electronica shower & bathtub installation
- Touch control allows for easy on/off, with LED-light ring indicator as a visual temperature indicator
- Three individualized presets that allow for quick access to desired temperatures
- Cleaning mode allows you to temporarily switch off electronic components for easy & safe cleaning
- Durable, polished chrome finish and sleek design
- Temperature limit can be set, providing scald protection
- Can be mounted vertically or horizontally to suit design/installation preference



### SPECIFICATIONS:

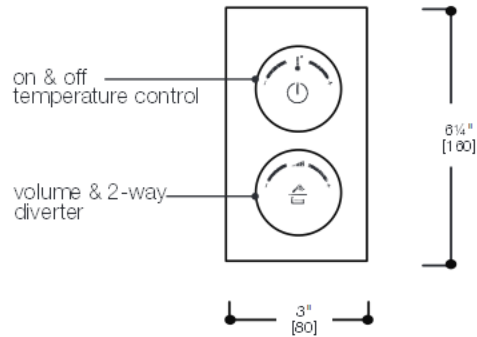
Warranty:	Five year electronic part warranty (residential) One year warranty (commercial)
Material:	polished chrome
Flow rate:	9.6 gpm @ 50 psi (output will vary depending on device in operation)
Power Input:	100~240V AC / 50~60 Hz

### FINISHES:

Polished chrome

### ACCESSORIES:

Requires rough-in TEE030



### INSTALLATION

Install this product according to the installation guide.

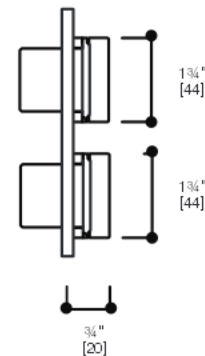
Our products must be installed by certified professionals only and according to our installation guide as well as federal, provincial/state and local building codes and regulations.

### CARE AND MAINTENANCE

See Installation Manual

### CODES / STANDARDS APPLICABLE:

- Meets or exceeds ANSI / ASME standard A112.18.1 and CAN / CSA B125.1-05 requirements
- Listed with IAPMO bearing the UPC / cUPC mark



### FOR PURCHASE SEPARATELY:



\*Required control mixer TEE030 (specs attached)

\*Approximate measurements for comparison only.  
Note: These dimensions and specifications are subject to change without notice.

# TEE030 SPECIFICATIONS

electronica thermostatic control mixer for shower & bathtub

## FEATURES:

- Thermostatic control mixer for shower & bathtub installation
- Easy installation, template provided and only two screws required
- Internal back-up rechargeable battery included, providing continuous usage during temporary power outages
- Fail-safe design with multiple back-up microprocessors
- Includes ceramic valves with redundant shut-offs for leak protection
- Flow sensor allows user to preset the preferred flow level, ensuring automatic shut-off once tub has been filled
- Quick-connect adaptors provide easy rough plumbing installation & removal

## SPECIFICATIONS:

Recommended: 14.5-72.5 psi (1-5 bar)

### Water Supply:

Operating pressure max: 145 psi (10 bar)

Test Pressure: 232 psi (16 bar)

Difference of input pressure: < 14.5 psi (1 bar)

Flowrate: 9.6 gpm @ 50 psi

### Connections:

Inlet: 2x 1/2" female thread

Outlet: 2x 1/2" female thread

### Temperatures:

Operating environment: 4-40°C / 40-140°F

Humidity: max. 95% (non-condensing)

### Electricity:

Line voltage: 100-240V AC / 50~60 Hz

Frequency: 50/60Hz

Power: stand by: <1W

max: <45W

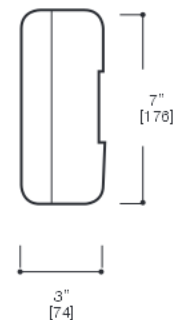
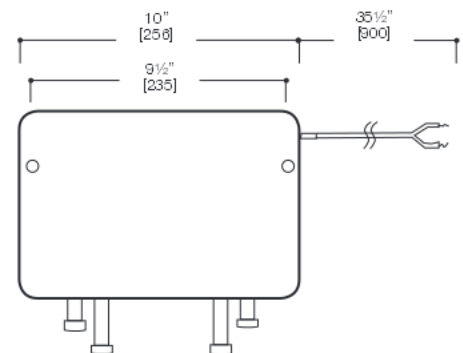
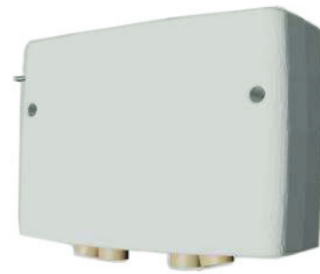
### Warranty:

Five year electronic part warranty (residential)  
(batteries not included)

One year warranty (commercial)

## INSTALLATION:

Control mixer is to be installed behind the wall, plugged into a direct power source. Installation must allow for future access to control box for maintenance purposes. This work must be carried out in accordance with the regulations IEC 364-7-701-1984 (corresponding to VDE 0100 Part 701) as well as all national local regulations. Any electrical installation work must only be performed by a qualified electrician.



\*Approximate measurements for comparison only.  
Note: These dimensions and specifications are subject to change without notice.

# TEE030 SPECIFICATIONS

electronica thermostatic control mixer for shower & bathtub installation

## SAFETY NOTES:

- Prevent danger resulting from damaged power supply cables. In the case of damage, the power supply cable must be replaced by a qualified person.
- Two-prong plug must be hardwired into a standard direct power source.
- Installation is only possible in frost-free rooms. The optional power supply unit is only suitable for indoor use. This product is not waterproof, however, the design incorporates a channel to allow for removal of condensation.
- The plug-in connectors must not be directly or indirectly sprayed with water when cleaning.
- The voltage supply must be separately switchable.
- The maximum permissible distance between the electronic controller and the functional unit is 19.6 feet (6m) (234").
- If the static pressure exceeds (72.5 psi), a pressure reducing valve must be fitted.
- Installer must ensure the control mixer is positioned in the correct manner according to installation guide.

## APPROVAL & CONFORMITY:

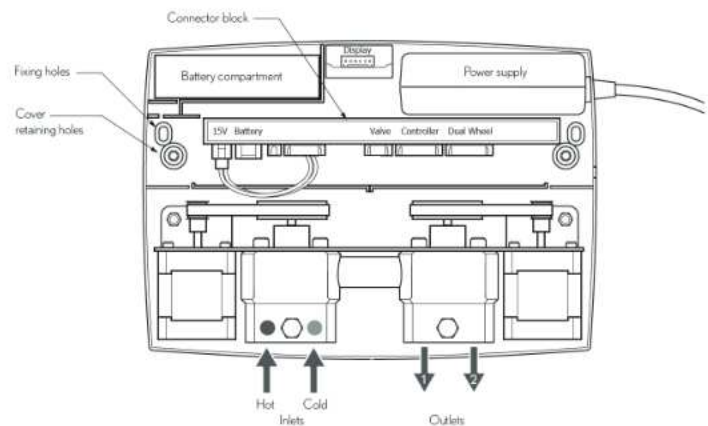
This device complies with part 15 of the FCC Rules (USA) and with the RSS of the IC Rules (Canada).

Operation is subject to the following two conditions:

This device may not cause harmful interference, and this device must accept any interference received, including interference that may cause undesired operation. Changes or modifications not expressly approved by the party responsible for compliance may void the user's authority to operate the equipment.

## CODES / STANDARDS APPLICABLE:

- Meets or exceeds ANSI / ASME standard A112.18.1 and CAN / CSA B125.1-05 requirements
- IAPMO/ UPC / dJPC



\*Approximate measurements for comparison only.  
Note: These dimensions and specifications are subject to change without notice.